

# FHF 325

**Filter housing in according to  
SAE J2066 for HF4 filter elements**

**Maximum pressure 350 bar  
Flow rates to 500 l/min**



## Technical data

### Filter housing (Materials)

- Head: Cast iron (chemical heat treatment)
- Housing: Steel (chemical heat treatment)
- Cover: Cast iron (chemical heat treatment)
- Bypass valve: Brass - Steel

### Pressure

- Working pressure: 350 bar (35 MPa)
- Test pressure: 525 bar (52.5 MPa)
- Burst pressure: 1050 bar (105 MPa)
- Pulse pressure fatigue test: 1.000.000 cycles with pressure from 0 to 350 bar (35 MPa)

### Temperature

- From -25 °C to +110 °C

### Bypass valve

- Opening pressure 6 bar  $\pm$ 10%
- Other opening pressures on request.

### $\Delta p$ Elements type

- Microfibre filter elements series N: 20 bar
- Wire mesh filter elements series N: 20 bar
- Fluid flow through the filter element from OUT to IN.

### Seals

- Standard NBR series A
- Optional FPM series V

### FHF FILTERS ARE PROVIDED FOR VERTICAL MOUNTING

### Weights (kg)

Length	1	2	3
• FHF325	23.90	32.68	41.47

### Volumes (dm<sup>3</sup>)

Length	1	2	3
• FHF325	3.50	5.80	8.11

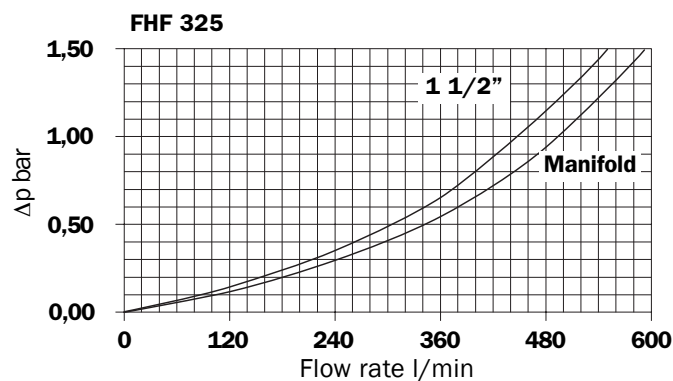
### Connections

- In-line threaded connection
- In-line flanged connection
- Manifold connection

### Filter housings $\Delta p$ pressure drop

The curves are plotted utilising mineral oil with density of 0.86 kg/dm<sup>3</sup> to ISO 3968.

$\Delta p$  varies proportionally with density.



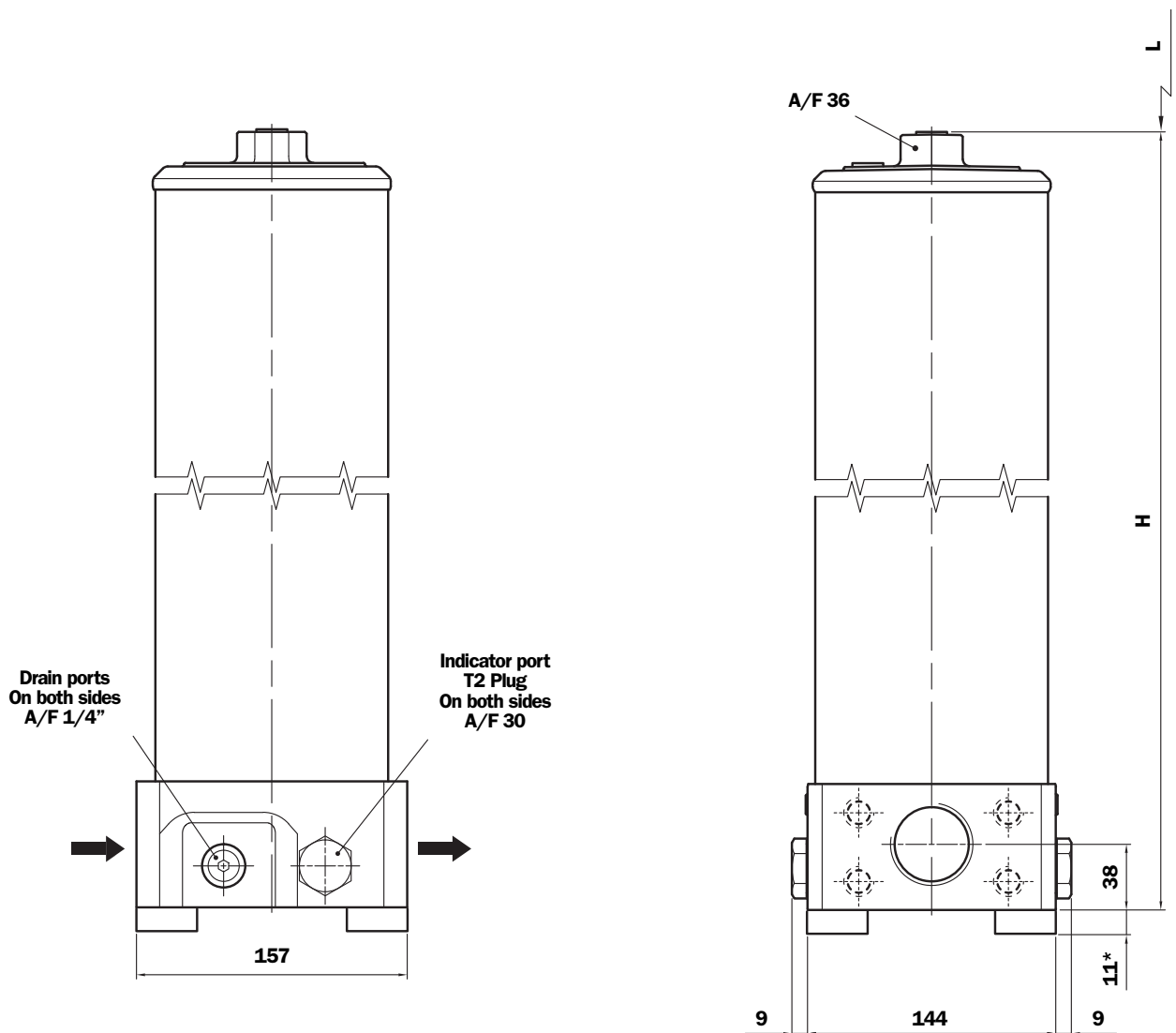
### Recommended maximum flow rate

- Pressure drop of filter assembly equal to  $\Delta p$  1,5 bar.
- Oil kinematic viscosity 30 mm<sup>2</sup>/s (cSt).
- Density 0,86 kg/dm<sup>3</sup>.
- Connections of filter under test to Manifold.

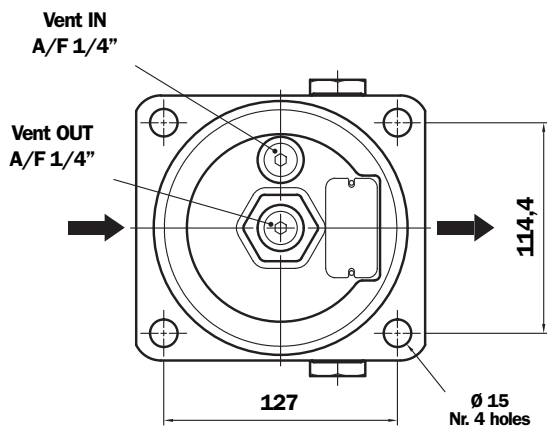
FHF 325	Length	Filtration					
		A03	A06	A10	A16	A25	M25
	1	300	335	348	415	490	495
	2	395	420	430	450	495	500
	3	410	440	455	465	500	505

Serie N - Flow rate l/min

# FHF 325 - Threaded and Flanged connection



\* Only for flanged connection



## FHF 325

Length Filter	H mm	L mm
1	452	250
2	690	485
3	928	725

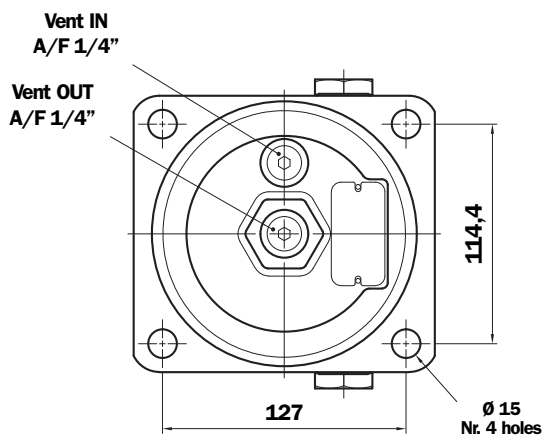
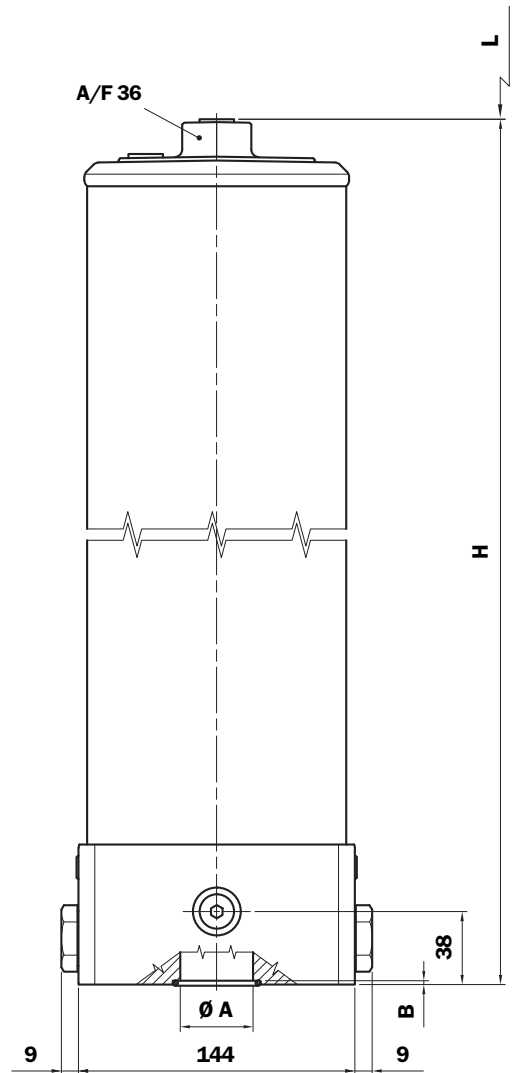
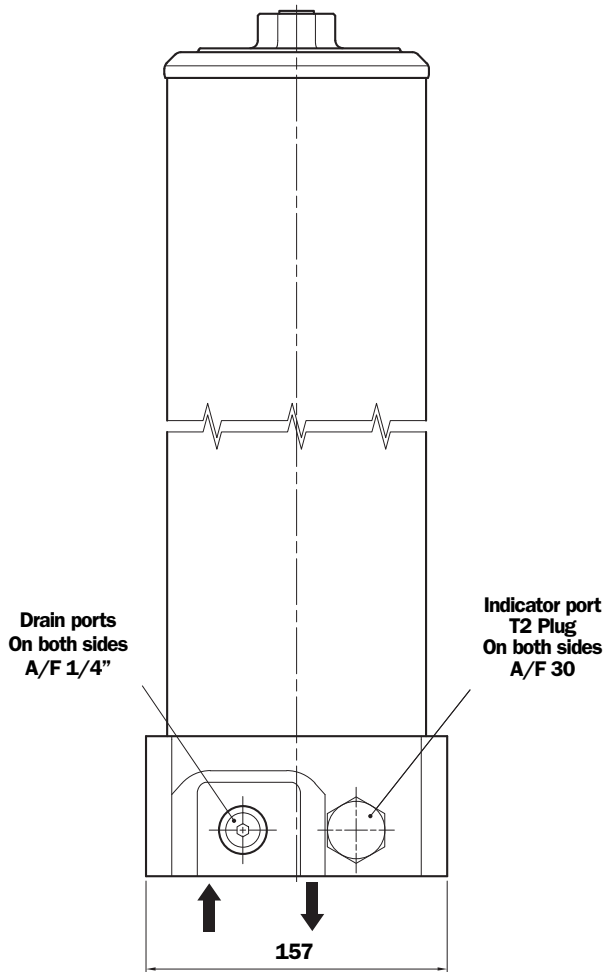
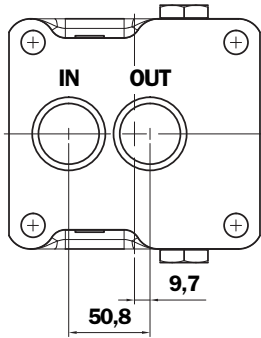
## Thread connections

Type	Size
A	G 1 1/2"
B	1 1/2" NPT
C	SAE 24 - 1 7/8" - 12 UN

## Flanged connections

Type	Size
G	1 1/2" SAE - 6000 psi/M
H	1 1/2" SAE - 6000 psi/UNC

# FHF 325 - Manifold connection

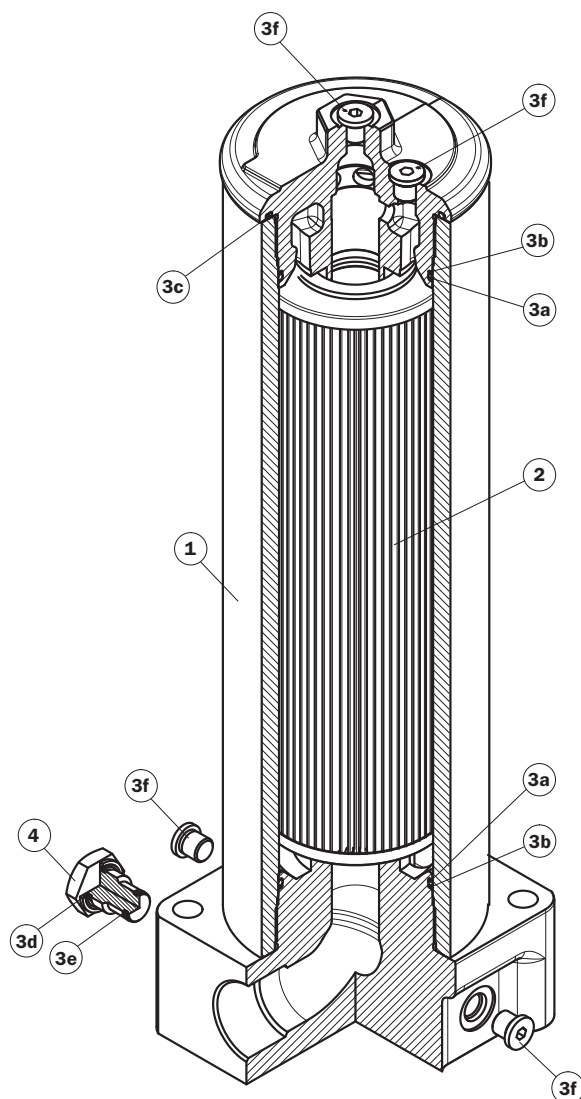


## FHF 325

Length Filter	H mm	L mm
1	452	250
2	690	485
3	928	725

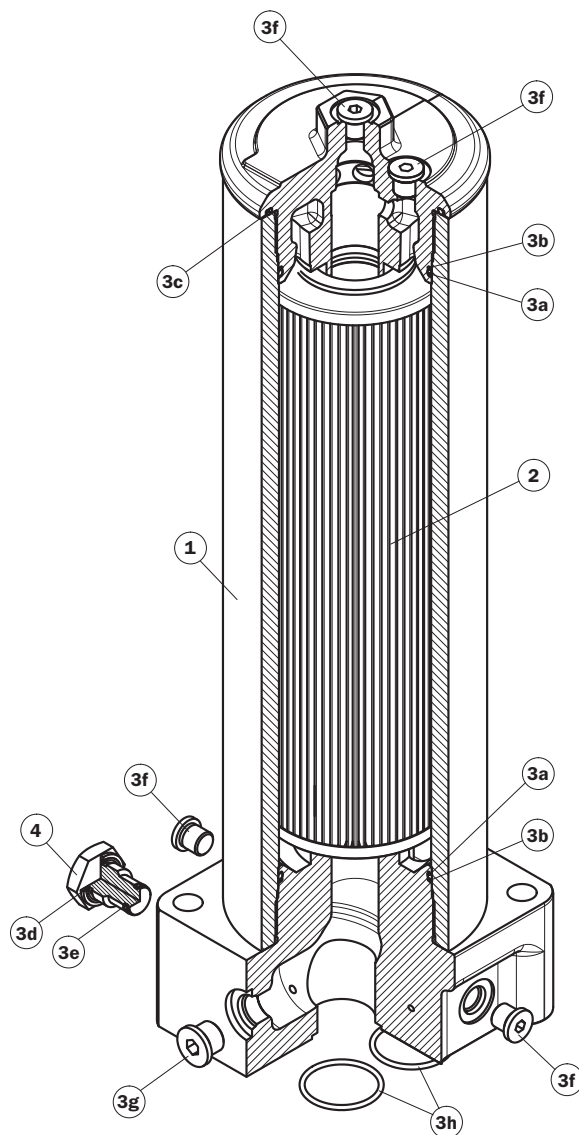
## Manifold connections

Type	A	B
M	1,38"	2
N	1,50"	2



Item	Description	Q.ty	FILTER Series	
			FHF 325 A - B - C - G - H	
1	Filter assembly	1	See order table	
2	Filter element	1	See order table	
3	Seal Kit	1	NBR 02050588	FPM 02050589
3a	O-Ring for housing	2	O-R 4412 Ø 104,4 x 3,53	
3b	Anti-extrusion ring	2	O-R SR 243 Ø 104,93 x 3	
3c	O-Ring cover	1	O-R 4475 Ø 120,2 x 3,53	
3d	Indicator seal	2	NBR 01030058	FPM 01030046
3e	O-Ring indicator	2	O-R 2050 Ø 12,42 x 1,78	
3f	Vent and drain plug	4	Plug 9/16 18 UNF	
4	Indicator connection plug	2	T2H	T2V

# Spare parts



Item	Description	Q.ty	FILTER Series FHF 325 M - N	
1	Filter assembly	1	See order table	
2	Filter element	1	See order table	
3	Seal Kit	1	NBR 02050590	FPM 02050591
3a	O-Ring for housing	2	O-R 4412 Ø 104,4 x 3,53	
3b	Anti-extrusion ring	2	O-R SR 243 Ø 104,93 x 3	
3c	O-Ring cover	1	O-R 4475 Ø 120,2 x 3,53	
3d	Indicator seal	2	NBR 01030058	FPM 01030046
3e	O-Ring indicator	2	O-R 2050 Ø 12,42 x 1,78	
3f	Vent and drain plug	4	Plug 9/16 18 UNF	
3g	Plug	2	Plug 3/4 16 UNF	
3h	O-Ring Manifold connection (M)	2	O-Ring 3150 (Ø 37,77 x 2,62)	
	O-Ring Manifold connection (N)		O-Ring 3162 (Ø 40,95 x 2,62)	
4	Indicator connection plug	2	T2H	T2V

# Ordering information FHF

## Filter assembly FHF

	<b>1</b>	<b>2</b>	<b>3</b>	<b>4</b>	<b>5</b>	<b>6</b>	<b>7</b>	<b>8</b>	<b>9</b>
	<input type="checkbox"/>	<input type="checkbox"/>	<input type="checkbox"/>	<input type="checkbox"/>	<input type="checkbox"/>	<input type="checkbox"/>	<input type="checkbox"/>	<input type="checkbox"/>	<input type="checkbox"/>
<b>Example: FHF</b>	<b>325</b>	<b>2</b>	<b>B</b>	<b>A</b>	<b>A</b>	<b>7</b>	<b>A10</b>	<b>N</b>	<b>P01</b>

## Filter element HF

	<b>1</b>	<b>2</b>	<b>7</b>	<b>4</b>	<b>8</b>	<b>9</b>
	<input type="checkbox"/>	<input type="checkbox"/>	<input type="checkbox"/>	<input type="checkbox"/>	<input type="checkbox"/>	<input type="checkbox"/>
<b>Example: HF</b>	<b>325</b>	<b>2</b>	<b>A10</b>	<b>A</b>	<b>N</b>	<b>P01</b>

### 1 - Style

Filter	Filter element
<input type="checkbox"/> <b>325</b>	<input type="checkbox"/> <b>325</b>

### 2 - Filter length

<input type="checkbox"/> <b>325</b>	<input type="checkbox"/> <b>1</b>	<input type="checkbox"/> <b>2</b>	<input type="checkbox"/> <b>3</b>
-------------------------------------	-----------------------------------	-----------------------------------	-----------------------------------

### 3 - Valves

<input type="checkbox"/> <b>S</b>	Without bypass
<input type="checkbox"/> <b>B</b>	With bypass (opening pressure: 6 bar)

### 4 - Filter seals

<input type="checkbox"/> <b>A</b>	NBR
<input type="checkbox"/> <b>V</b>	FPM
<input type="checkbox"/>	On request

### 5 - Connections

#### Threaded

Type	Size
<b>A</b>	G 1 1/2"
<b>B</b>	1 1/2" NPT
<b>C</b>	SAE 24 - 1 7/8" - 12 UN

#### Flanged

Type	Size
<b>G</b>	1 1/2" SAE - 6000 psi/M
<b>H</b>	1 1/2" SAE - 6000 psi/UNC

#### Manifold

Type	A	B
<b>M</b>	1,38"	2
<b>N</b>	1,50"	2

### 6 - Indicator port

<input type="checkbox"/> <b>7</b>	With both plugged indicator ports
-----------------------------------	-----------------------------------

### 7 - Filter element

<input type="checkbox"/> <b>A03</b>	Inorganic microfibre 3 $\mu$	} Absolute filtration Inorganic Microfibre  } $\beta_x(c) \geq 1000$
<input type="checkbox"/> <b>A06</b>	Inorganic microfibre 6 $\mu$	
<input type="checkbox"/> <b>A10</b>	Inorganic microfibre 10 $\mu$	
<input type="checkbox"/> <b>A16</b>	Inorganic microfibre 16 $\mu$	
<input type="checkbox"/> <b>A25</b>	Inorganic microfibre 25 $\mu$	
<input type="checkbox"/> <b>M25</b>	Wire mesh 25 $\mu$	} Nominal Filtration Metal mesh

### 8 - Max filter element differential pressure

<input type="checkbox"/> <b>N</b>	$\Delta p$ 20 bar
-----------------------------------	-------------------

### 9 - Option

<input type="checkbox"/> <b>P01</b>	MP Filtri standard
<input type="checkbox"/> <b>Pxx</b>	Customer request

**MP Filtri** - The filter functions as described in this bulletin are valid exclusively for original MP Filtri filter elements and replacement parts. All rights reserved

The data in this publication are purely guideline. MP Filtri reserves the right to make changes to the models described herein at any time it deems fit in relation to technical or commercial requirements. The colours of the products shown on the cover are purely guideline. Copyright. All rights reserved.