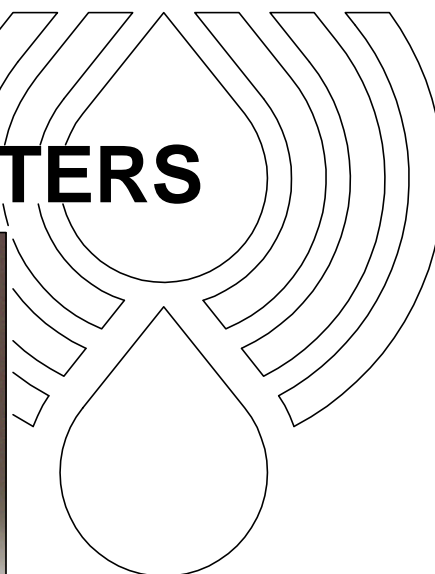
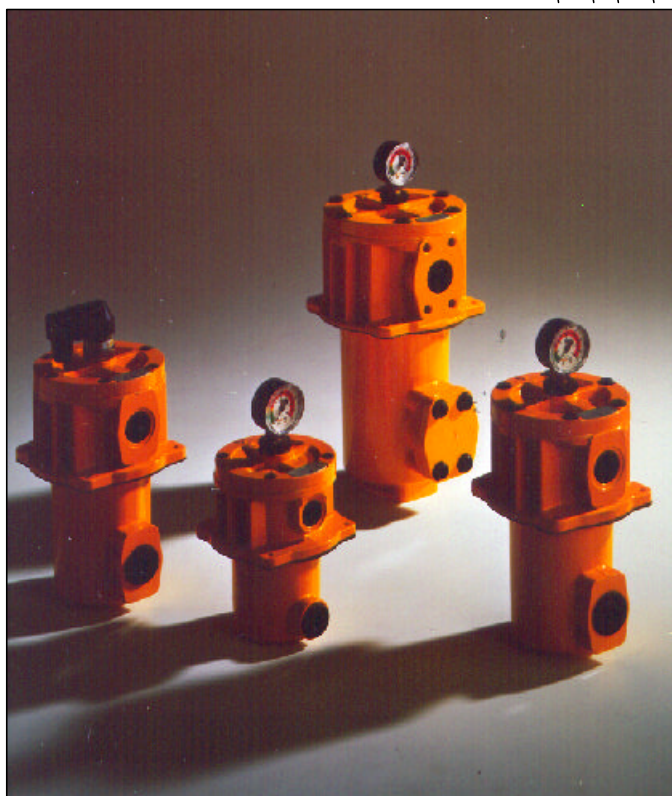


SERIES FAS SUCTION FILTERS



FAS SERIES - SUCTION FILTERS

FAS series filters are designed for a variety of filtration requirements for suction applications.

The particular design of these filters allows them to be mounted semi-immersed in the reservoir or inline.

FAS series filters are manufactured from aluminium alloy and are available in several sizes with flow rates up to 850 l/min (225 gpm). These filters are particularly suitable for stationary industrial applications, such as hydraulic presses, injection moulding machines and heavy industry.

FAS series filters can be supplied with contamination indicator, either visual or electrical.

A bypass valve, opening at 30 kPa (4.5 psi), can be supplied on request.

MP S.p.A. **FILTRI**



TECHNICAL SPECIFICATIONS

MATERIALS :
 Bowl: Anodized Aluminium - Steel (only FAS 850)
 Cover: Anodized Aluminium
 Seals: "A" Series: Nitrile (Buna-N) / "V" Series: Viton
 Filter element: Square wire mesh
 End caps and tube: steel

OPERATING TEMPERATURE RANGE : From -25 to +110 °C

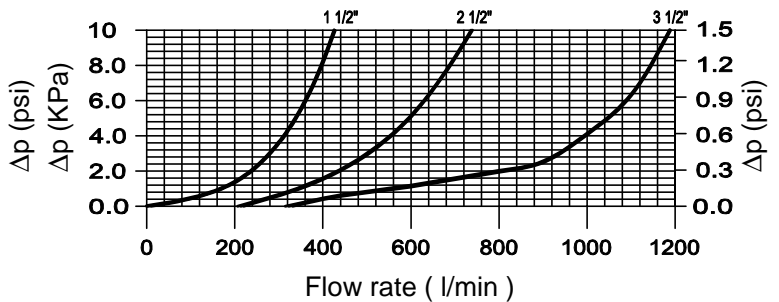
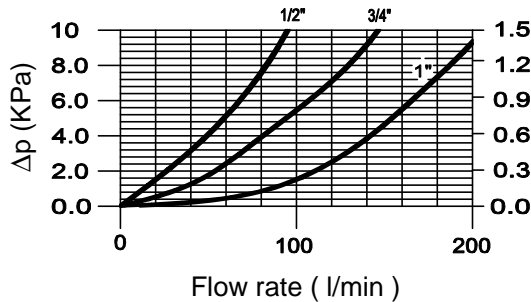
BYPASS VALVE SETTING : 30 KPa (4.5 psi) ±10% 10 KPa = 0.1 bar

EFFECTIVE FILTER AREA OF FILTER ELEMENTS :

FILTER ELEMENT TYPE	Area cm ² (in ²)
	M25 - M60 - M90 - M250
CA 025	280 (43 in ²)
CA 040	480 (74 in ²)
CA 100	770 (119 in ²)
CA 250	1820 (282 in ²)
CA 630	3450 (535 in ²)
CA 850	11600 (1798 in ²)

FILTER HOUSING PRESSURE DROP :

NOTE: The following diagrams were obtained using mineral oil with a density = 0,86 Kg/dm³



FILTER ELEMENT PRESSURE DROP:

NOTE:
 For calculating the pressure drop (KPa) of filter elements, the "K" coefficient shown in the table must be multiplied by the flow rate (l/min) . (The values refer to tests made using a mineral oil having a kinematic viscosity = 30 mm²/s = 150 SUS)

FILTER ELEMENT TYPE	"K" Coefficient			
	M25	M60	M90	M250
CA 025	0.072	0.051	0.040	0.032
CA 040	0.056	0.048	0.043	0.046
CA 100	0.040	0.033	0.026	0.021
CA 250	0.016	0.014	0.012	0.010
CA 630	0.013	0.010	0.0093	0.008
CA 850	0.0066	0.0057	0.005	0.0041

EXAMPLE:
 Filter element type CA 100 M60 N
 K coefficient = 0.033
 Flow rate Q = 75 l/min

$$\Delta p = K \times Q = 0.033 \times 75 = 2.4 \text{ KPa}$$

$$(2.4 \text{ KPa} \times 0.145 = 0.35 \text{ psi})$$

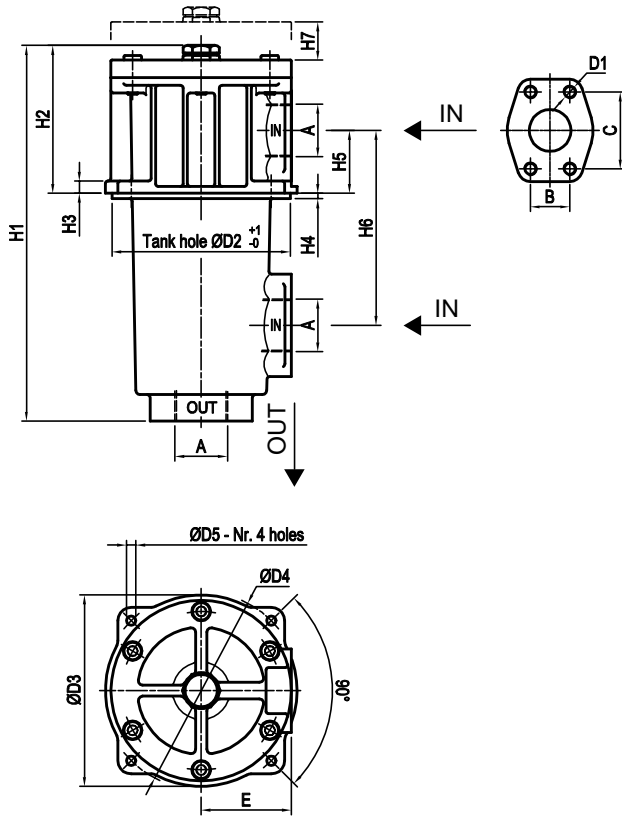
FILTER ASSEMBLY SIZING:

For calculating the pressure drop of the filter assembly, the Δp of the filter housing must be added to the Δp of the filter element (Δp filter assembly = Δp filter housing + Δp filter element).
 The values of "K" shown in the table refer to tests made using a mineral oil having a kinematic viscosity = 30 mm²/s (cSt). The Δp is proportional to the fluid kinematic viscosity. The maximum pressure loss for the complete assembly should be 8 KPa (1.2 psi).

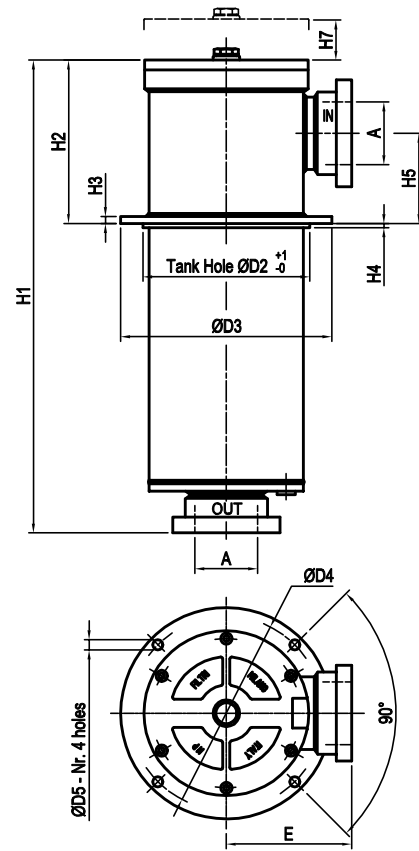
FAS SERIES - SUCTION FILTERS

DIMENSIONS

FAS 025 - 630



FAS 850



FAS SERIES - SUCTION FILTERS

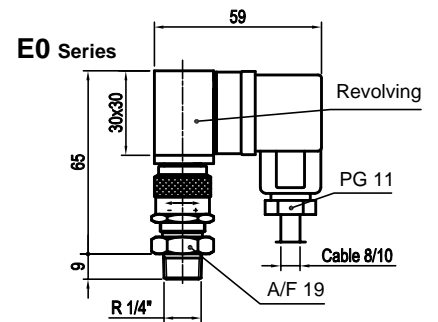
THREAD CONNECTIONS

FILTER TYPE	A		
	G1	G2	G3
FAS 025	G 1/2"	1/2" NPT	SAE 8 - 3/4" 16 UNF
FAS 040	G 3/4"	3/4" NPT	SAE 12 - 1 1/16" 12 UN
FAS 100	G 1"	1" NPT	SAE 16 - 1 5/16" 12 UN
FAS 250	G 1-1/2"	1 1/2" NPT	SAE 20 - 1 5/8" 12 UN
FAS 630	G 2-1/2"	2 1/2" NPT	SAE 32 - 2 1/2" 12 UN

Indicators

FLANGE CONNECTIONS

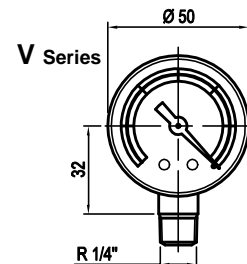
FILTER TYPE		A	B	C	D1
FAS 100	F1	1" SAE 3000 PSI / M	26.19	52.37	M10
	F2	1" SAE 3000 PSI / UNC	26.19	52.37	3/8" UNC
FAS 250	F1	1 1/2" SAE 3000 PSI / M	35.71	69.85	M12
	F2	1 1/2" SAE 3000 PSI / UNC	35.71	69.85	1/2" UNC
FAS 630	F1	2 1/2" SAE 3000 PSI / M	50.80	88.90	M12
	F2	2 1/2" SAE 3000 PSI / UNC	50.80	88.90	1/2" UNC
FAS 850	F1	3 1/2" SAE 3000 PSI / M	69.90	120.70	M16
	F2	3 1/2" SAE 3000 PSI / UNC	69.90	120.70	5/8" UNC



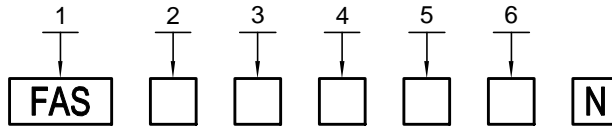
FILTER

TYPE	H1	H2	H3	H4	H5	H6	H7	D2	D3	D4	D5	E
FAS 025	150	85	5	3	19	62.5	105	83.5	89	95	5.5	44
FAS 040	190	98	8	3.5	36	105	110	121	132	138	6.5	57
FAS 100	260	120	10	5	49	140	155	135	146	154	6.5	67
FAS 250	345	145	10	5	58	177	240	162	174	180	8.5	82
FAS 630	400	190	13	10	79	218	275	237	253	275	10.5	117.5
FAS 850	687	248	10	6	128	/	525	238	300	275	14.5	178

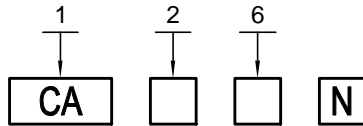
Note: All dimensions are in mm .



HOW TO ORDER THE FILTER ASSEMBLY



HOW TO ORDER THE REPLACEMENT FILTER ELEMENT



1 - FILTER SERIES

FAS - Suction Filter Assembly
CA - Filter element

2 - SIZE

025
040
100
250
630
850

3 - BYPASS VALVES

S - Without bypass valve
B - With bypass valve (setting = 30 KPa = 4,35 psi)

4 - SEALS

A - Nitrile (Buna N)
V - Viton

FILTER INDICATOR:

T1 - Plug (no indicator)
V - Gauge at 20 kPa = 2.9 psi
E1 - Electrical indicator at 20 kPa = 2.9 psi

NOTE: All the filter assemblies are supplied with machined indicator hole.
The indicators must be ordered separately.

5 - PORT OPTIONS

CONNECTIONS						
TYPE	025	040	100	250	630	850
G1	G 1/2"	G 3/4"	G 1"	G 1 1/2"	G 2 1/2"	-
G2	1/2" NPT	3/4" NPT	1" NPT	1 1/2" NPT	2 1/2" NPT	-
G3	SAE 8	SAE 12	SAE 16	SAE 20	SAE 32	-
F1	-	-	1" SAE 3000 PSI/M	1 1/2" SAE 3000 PSI/M	2 1/2" SAE 3000 PSI/M	3 1/2" SAE 3000 PSI/M
F2	-	-	1" SAE 3000 PSI/UNC	1 1/2" SAE 3000 PSI/UNC	2 1/2" SAE 3000 PSI/UNC	3 1/2" SAE 3000 PSI/UNC

6 - FILTER MEDIA

M25 *Square wire mesh* 25 μm
M60 *Square wire mesh* 60 μm
M90 *Square wire mesh* 90 μm
M250 *Square wire mesh* 250 μm

MP FILTRI S.p.A. - Via Matteotti, 2
20060 Pessano con Bornago
Milano - Italy



Tel. +39.02/957031
Fax: +39.02/95741497-95740188
<http://www.mpfiltri.com>
email: sales@mpfiltri.com

MP FILTRI U.K. Ltd. - Tel. +44.01451-822522 - Fax: +44.01451-822282 - email: sales@mpfiltri.co.uk - <http://www.mpfiltri.co.uk>
MP FILTRI D GmbH - Tel. +49.06806/850220 - Fax: +49.06806/85022-18 - email: mpfiltrink@aol.com
MP FILTRI FRANCE - Tel. +33.04.74.08.84.78 - Fax: +33.04.74.08.80.45 - email: mpfiltrifrance@wanadoo.fr
MP FILTRI USA, Inc. - Tel. +1.215-529-1300 - Fax: +1.215-529-1902 - email: sales@mpfiltriusa.com - <http://www.mpfiltriusa.com>
MP FILTRI CND Inc. - Tel. +1.905-303-1369 - Fax: +1.905-303-7256 - email: mail@mpfiltricanada.com - <http://www.mpfiltricanada.com>