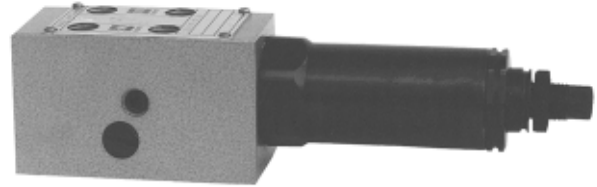
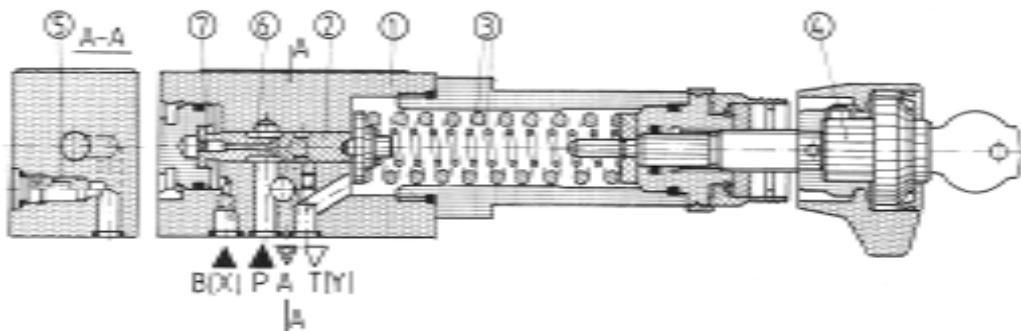


Pressure sequence valves are used for connecting a second hydraulic system when pressure in a main system reaches the set value.  
The valve can be mounted in systems in any positions.



## DESCRIPTION OF OPERATION



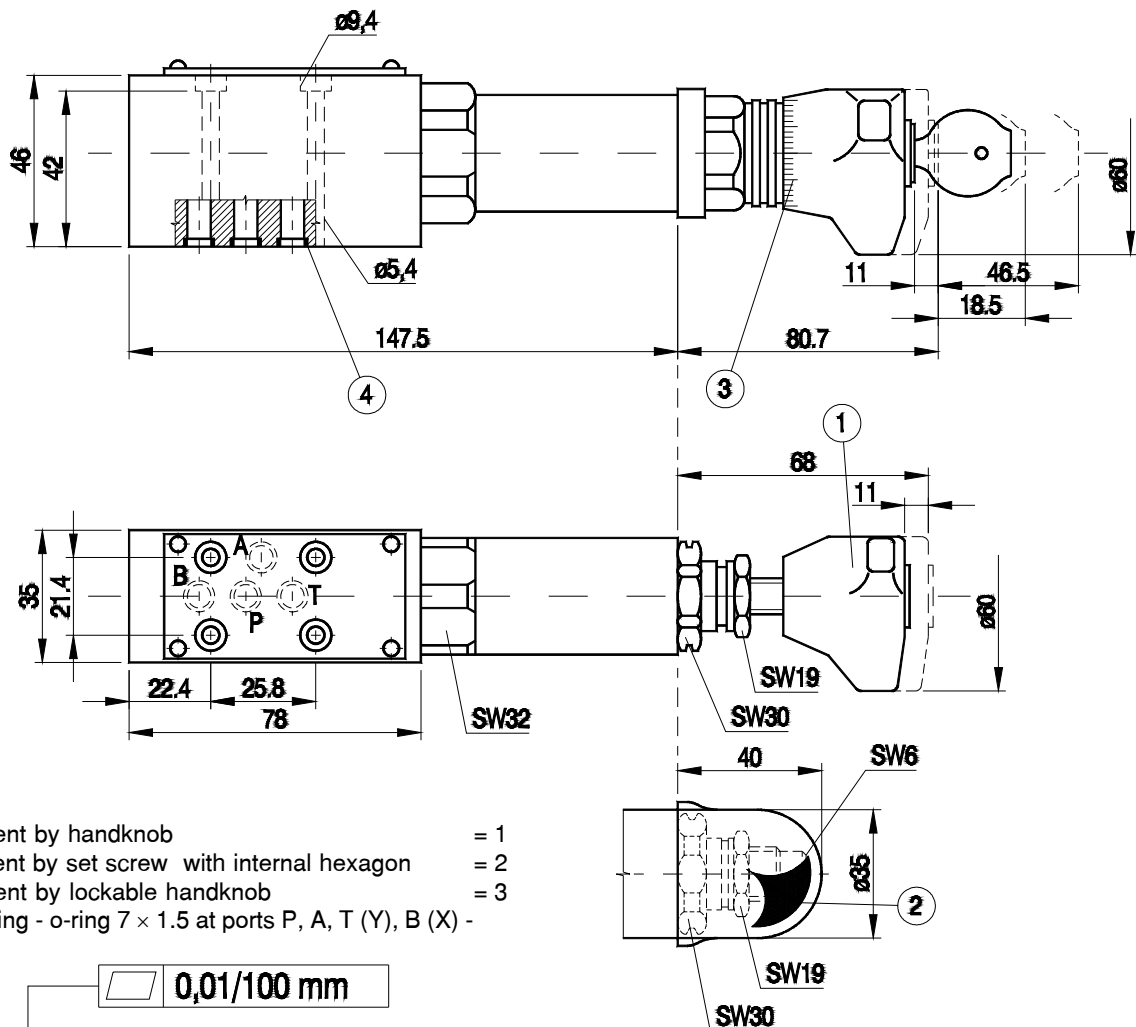
The sequence valve comprises the housing 1, control spool 2, pressure spring 3, pressure setting element 4 and optional check valve 5.  
Sequence pressure is adjusted by means of the pressure setting element 4.  
The spring 3 holds the control spool 2 in neutral position and the valve is closed. Pressure in line P affects the spool surface opposite the spring 3 via the control line 6 and jet 6.  
When the pressure in line P reaches the value set, the con-

trol spool moves and opens the connection A to B.  
The hydraulic system connected at port A is actuated, without any decrease in pressure at port P.  
Supply of control fluid may also be external, via port X.  
Depending on the valve application, the pilot fluid drain is either external via port T (Y) or internal.  
A check valve 5 may be mounted for free flow through the valve from B to A.

## TECHNICAL DATA

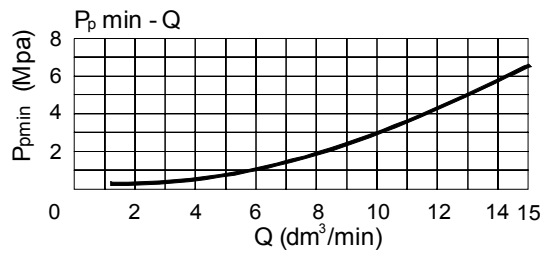
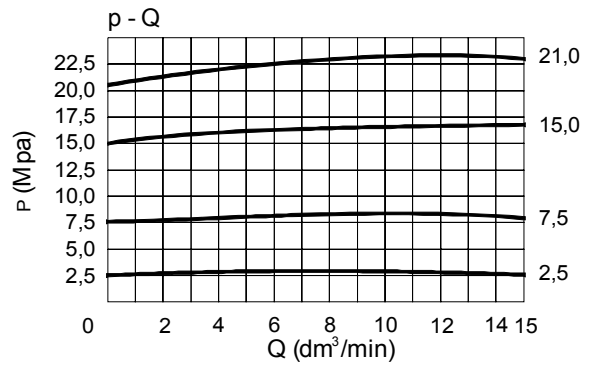
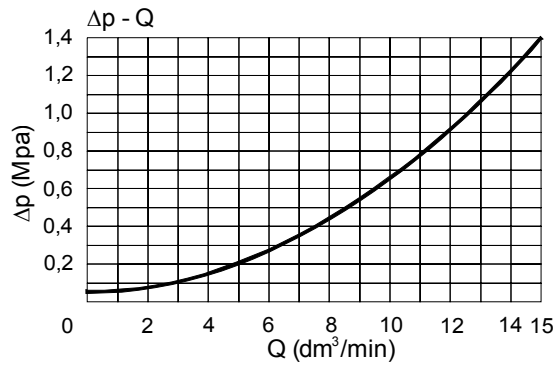
Hydraulic fluid	Mineral oil or phosphate ester
Nominal fluid viscosity	37 mm <sup>2</sup> /s at the temperature of 328 K
Viscosity range	2.8 to 380 mm <sup>2</sup> /s
Optimum working temperature( fluid in a tank )	313 - 328 K
Fluid temperature range	253 - 343 K
Required fluid filtration	16 μm
Recommended fluid filtration	10 μm
Pressure at ports P, A, B ( X )	21 MPa
Pressure at port T ( Y )	6 MPa
Max allowable flow rate	15 dm <sup>3</sup> /min
Weight	1.4 kg

## OVERALL DIMENSIONS



Admissible surface roughness and flatness deviation for a subplate face.

**PERFORMANCE CURVES**, measured at  $v = 41 \text{ mm}^2/\text{s}$  and  $T = 323 \text{ K}$

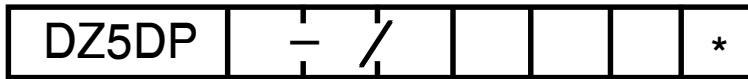


**SCHEMES**

	Basic version Internal pilot supply Internal pilot drain	Version X External pilot supply Internal pilot drain	Version Y Internal pilot supply External pilot drain	Version XY External pilot supply External pilot drain
With check valve				
Without check valve				

## HOW TO ORDER

Orders coded in the way showed below should be forwarded to the manufacturer.



### Adjustment method

Hand knob	= 1
Set screw with internal hexagon	= 2
Lockable hand knob	= 3

Further requirements in clear text  
( to be agreed upon with the manufacturer )

### Series number

20 = 20  
( 20 - 29 ) - installation and connection dimensions remain unchanged

### Sealing

Fluids on mineral oil base  
= with no code  
Fluids on phosphate-ester base = V

### Maximum pressure

max 2.5 MPa	= 25
max 7.5 MPa	= 75
max 15.0 MPa	= 150
max 21.0 MPa	= 210

### Check valve

With check valve	= with no code
Without check valve	= M

Coding example : DZ5DP2-20/75XY

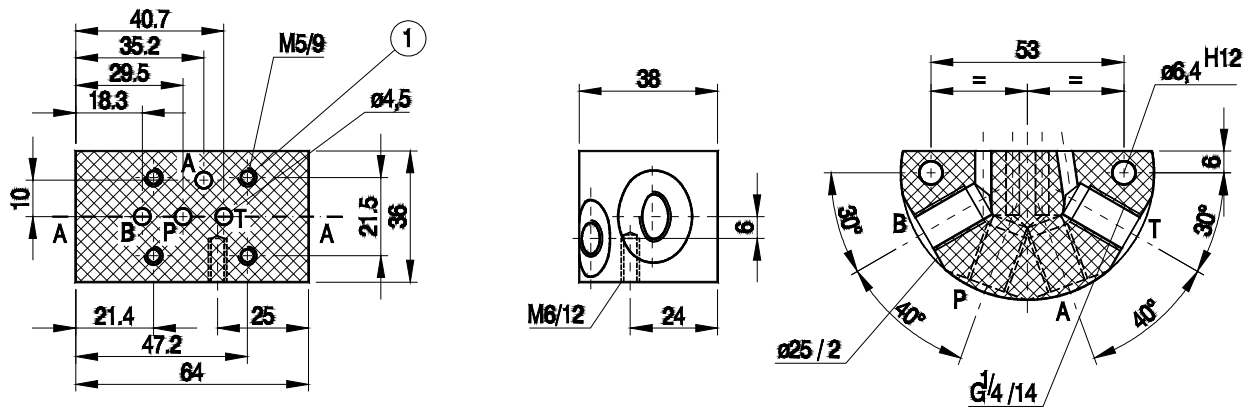
### Pilot supply and drain

Pilot supply internal, drain internal	= no code
Pilot supply external, drain internal	= X
Pilot supply internal, drain external	= Y
Pilot supply external, drain external	= XY

## CONNECTION DIMENSIONS FOR SUBPLATES

Subplate G 115/01 ( G1/4 )  
Weight - 0.7 kg

Subplate G 96/01 ( G1/4 )  
 Weight - 0.7 kg



- 1 - valve mounting surface
- 2 - recess in subplate face

Fixing bolts : M5 × 50 - 8.8 PN - 87/M - 82302  
 ( DIN 912 ) - 4 pcs , torque = 9 Nm

Note : Subplate and fixing bolts must be ordered separately

**NOTES :**

NOTES :

PONAR WADOWICE S.A.  
ul. Wojska Polskiego 29  
34-100 Wadowice  
tel. 033/ 823 39 43, 823 30 41  
fax 033/ 873 48 80  
e-mail: ponar@ponar-wadowice.pl

