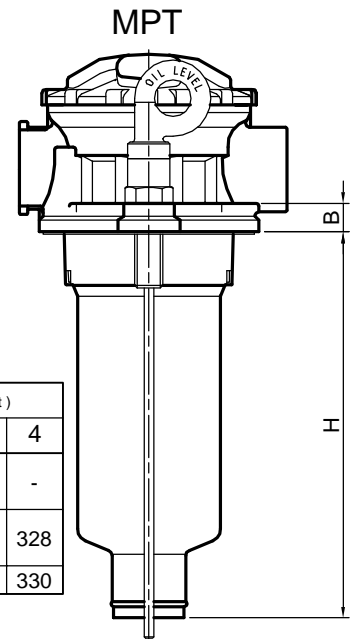
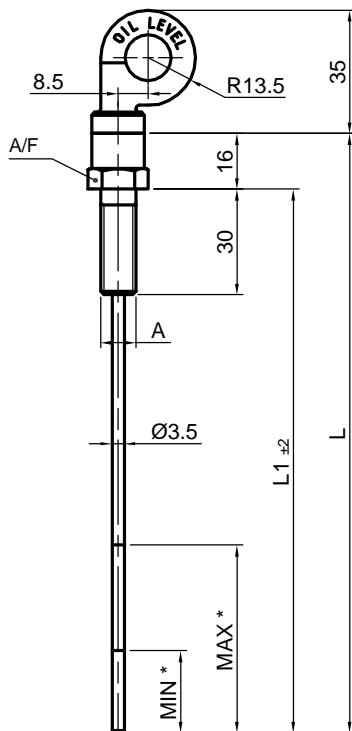


Dimensional specifications



Series	Size	A	A/F	B	H (Filter Length)			
					1	2	3	4
MPT	020 -021	M10	16	10	103	167	206	-
	024			9				
	101			12				
MPF	100 -104	M8	13	12	101	148	226	328
	100 -104			103	150	228	330	

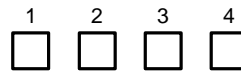


Code of Length DPT	L*	L1
15	150	134
20	200	184
25	250	234
30	300	284
35	350	334
xx	xx0	

* Lengths are in multiple of 50 mm

Ordering information

Dipstick
DPT



Example: **DPT 25 M08 A P01**

1 - Length

- 15** for L 150 mm
- 20** for L 200 mm
- 25** for L 250 mm
- 30** for L 300 mm
- 35** for L 350 mm

XX at request
(Lengths are in multiple of 50 mm)

2 - Connection to reservoir

- M08** Fixing with M8 screws
- M10** Fixing with M10 screws

3 - Seals

- A** NBR
- V** FPM

4 - Option

- P01** MP standard
(Without MIN and MAX level notches)
- Pxx** At request

* MIN and MAX level notches
only on request