

Pressure reducing valve 500

Type DMM

NG 4
up to 30 l/min

Features

- Leakage free
- With spring chamber relief
- Long economic lifetime

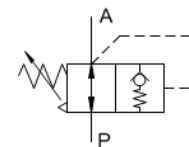


Design

- Seated valve
- Directly operated
- Cartridge type and in manifold
- External surface zinc-coated
- With optional check valve
- With optional secondary relief valve against overload

Applications

The pressure reducing valve DMM is a part of the 500+ series. It is directly operated, spring loaded and designed with a leakage free seat. It holds the hydraulic pressure at working port A on a constant value, independently on the flow rate - respectively pressure changes at supply port P. The working port can be optionally protected with a separate pressure relief valve.



Technical data

Hydraulic fluid	Mineral oil according to DIN 51524 T1+T2 (other fluids on request)
Fluid temperature range	-20 to 120 °C
Ambient temperature range	-20 to 120 °C
Viscosity range	10 to 420 mm ² /s
Porting	NG 4
Max. operating pressure port P/A	700/450 bar
Pressure setting port A	50 to 450 bar
Pressure setting range of the optional pressure protection	50 to 500 bar
Max. flow rate	30 l/min
Filtration (recommendation)	ISO/DIN 4406 class 21/19/16
Weight	0.9 kg (cartridge)
Materials	Cartridge body: high tensile steel Cone: hardened steel Supporting ring: PTFE

Ordering code

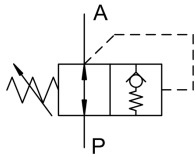
Example	DM	M	-	4B	-	X	-	450	-	V	-	A		00
Pressure reducing valve														
Type	500+													special design 01 ... 99 (00 for standard)
Port size	4													Part index Please leave blank (small letters a-d; different letters do not effect interchangeability)
Cartridge	...E													
Connection Bieri	...B													
Connection in-line	...R													
Design														
X	Cartridge													
In manifold for valve bank														
V	for valve bank (V)													
VRV	for V with check valve (RV)													
VDV	for V with pressure relief valve (DV)													
VDVRV	for V with RV and DV													
In-line mounting														
G1/4	size G1/4													
G3/8	size G3/8													
G1/4RV	size G1/4 with RV													
G3/8RV	size G3/8 with RV													
G1/4DV	size G1/4 with DV													
G3/8DV	size G3/8 with RV													
G1/4DVRV	size G1/4 with RV + DV													
G3/8DVRV	size G3/8 with RV + DV													
Max. pressure setting	450 bar													Desing revision Capital letters A-Z; identical letters equal same connecting dimensions
Seals	V [FPM] other materials on request													

Product information

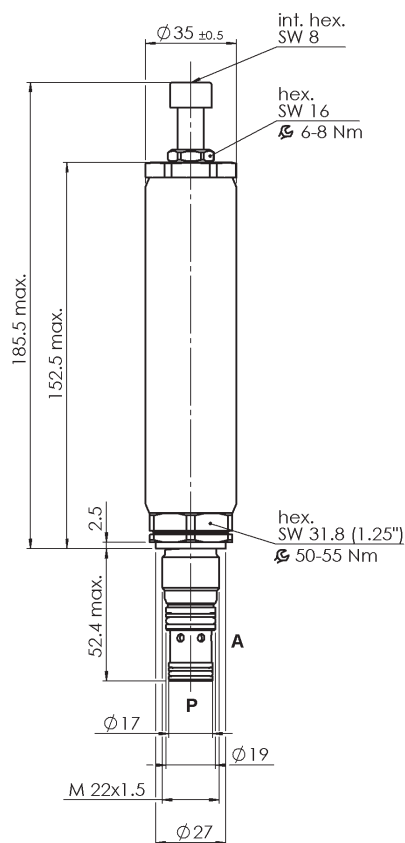
Cartridge

Type	Part number
DMM-4E-X-450-V-A*00	4001225

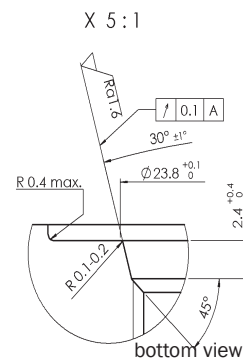
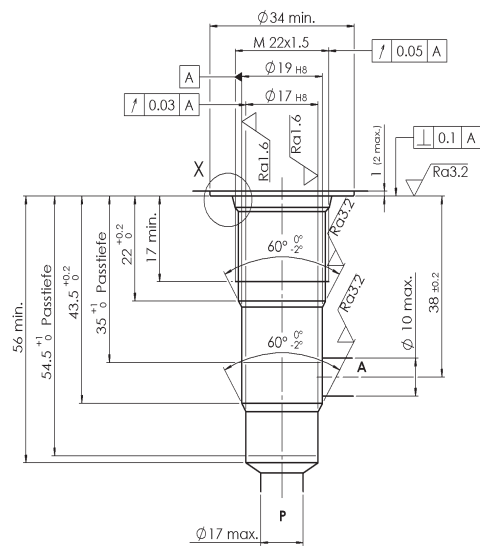
Hydraulic schematics



Dimensional drawing



Dimensional & cavity drawing



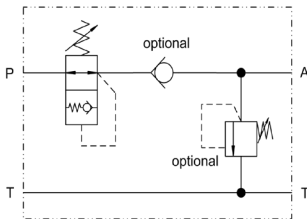
Type DMM

NG 4
up to 30 l/min

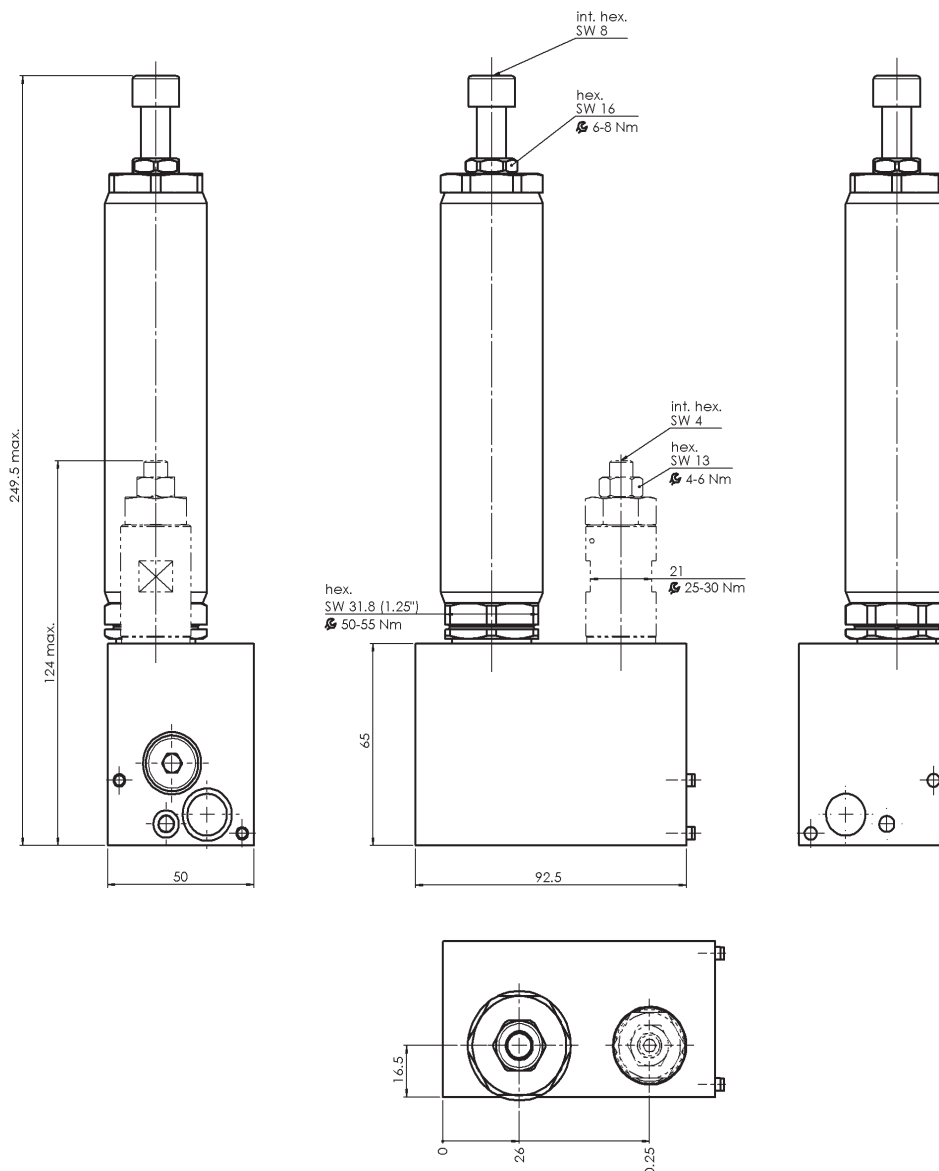
In manifold for valve bank

Type	Part number
DMM-4B-V-450-V-A*00	3830721
DMM-4B-VRV-450-V-A*00	3830724
DMM-4B-VDV-450-V-A*00	3830748
DMM-4B-VDVRV-450-V-A*00	3830753

Hydraulic schematics



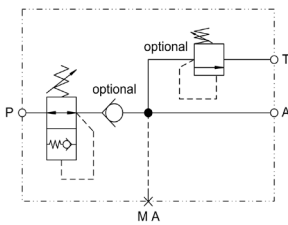
Dimensional drawing



In-line manifold

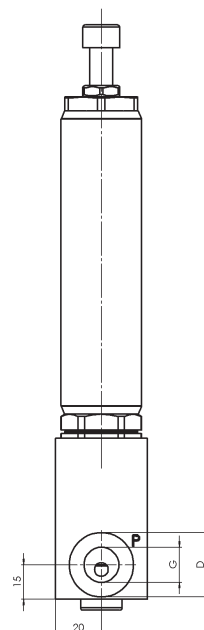
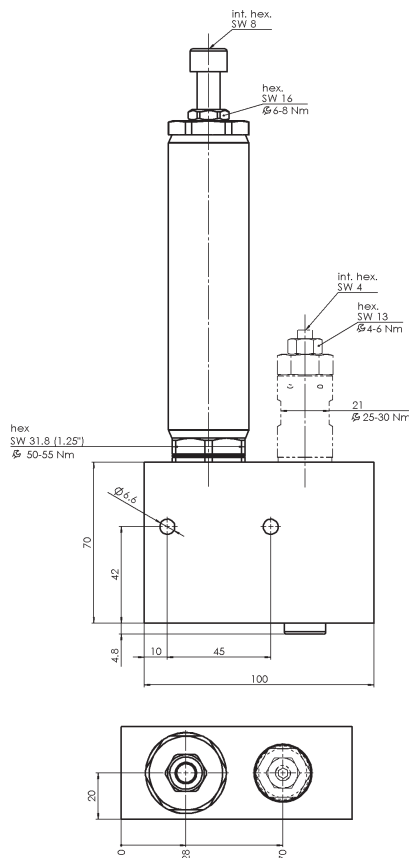
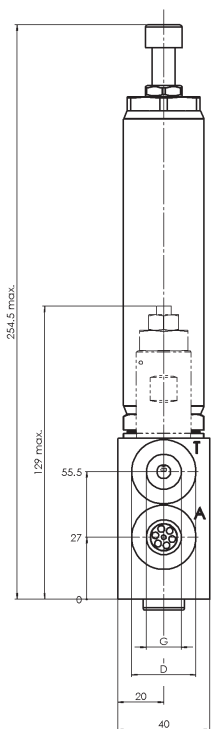
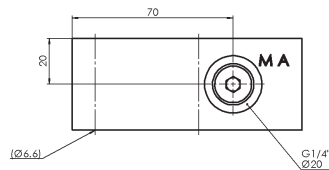
Type	Part number
DMM-4R-G1/4-450-V-A*00	3830722
DMM-4R-G3/8-450-V-A*00	3830723
DMM-4R-G1/4RV-450-V-A*00	3830745
DMM-4R-G3/8RV-450-V-A*00	3830747
DMM-4R-G1/4DV-450-V-A*00	3830749
DMM-4R-G3/8DV-450-V-A*00	3830752
DMM-4R-G1/4DVRV-450-V-A*00	3830754
DMM-4R-G3/8DVRV-450-V-A*00	3830756

Hydraulic schematics



Dimensional drawing

G	D
G 3/8"	Ø23
G 1/4"	Ø20



Characteristics

