

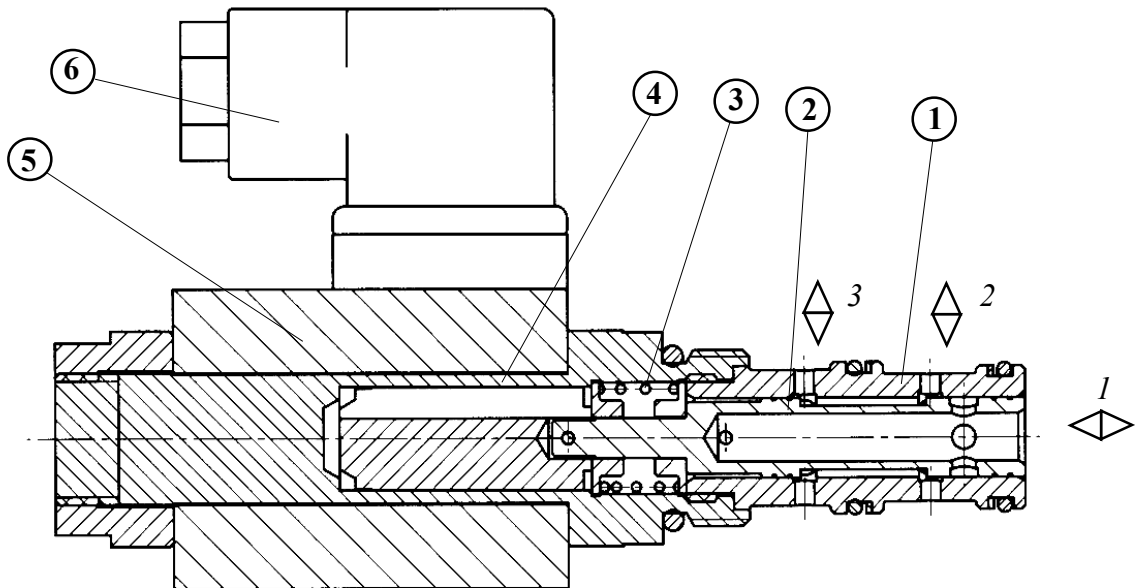
APPLICATION

Directional cartridge control valves type 3 URED 6 are solenoid operated directional control valves. They control direction of oil flow.



DESCRIPTION OF OPERATION

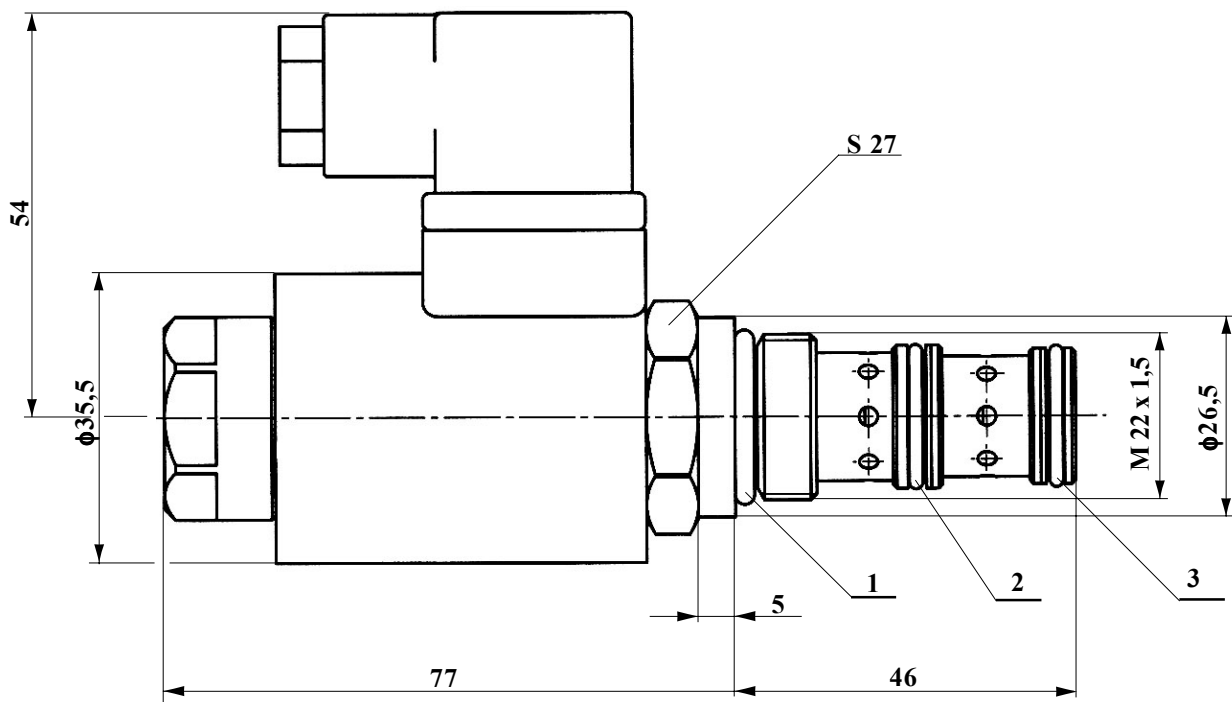
The directional control valves comprise mainly the sleeves (1) and (4), one solenoid (5), the control spool (2) and return spring (3). When solenoid (5) is de-energized control spool (2) is held in neutral position by means of return spring (3). The force of the solenoid (5) affects the control spool (2) and pushes it from its start position to end position. This gives free flow from 1 to 2 (version B1) or 1 to 3 (version B4).



TECHNICAL DATE


Working fluid	Mineral oil
Nominal fluid viscosity	37 mm ² / s at temperature 328 K
Viscosity range	2,8 up to 380 mm ² / s
Optimum working temperature range	313 up to 328 K
Fluid temperature range	243 up to 343 K
Required fluid filtration	16 μm
Recommended fluid filtration	10 μm
Max flow rate	30 l / min
Nominal working pressure 1	21 MPa
Nominal working pressure 2 ; 3	29 MPa
Power requirement	26 W

OVERALL DIMENSIONS

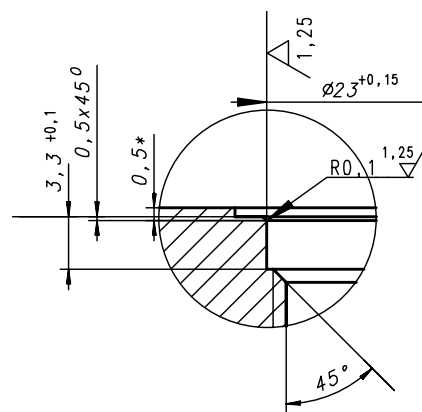
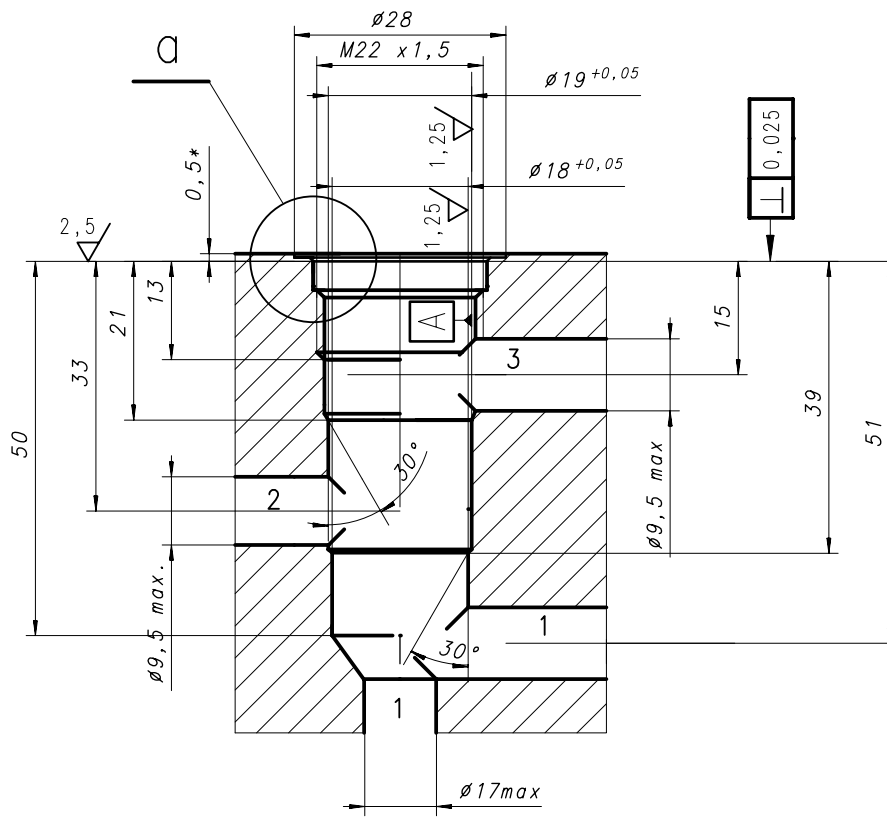


- 1. Sealing ring 18 x 2,65
- 2. Sealing ring 15,6 x 1,78
- 3. Sealing ring 15 x 1,8

DIMENSIONS OF CAVITY

 $\phi 0,025$

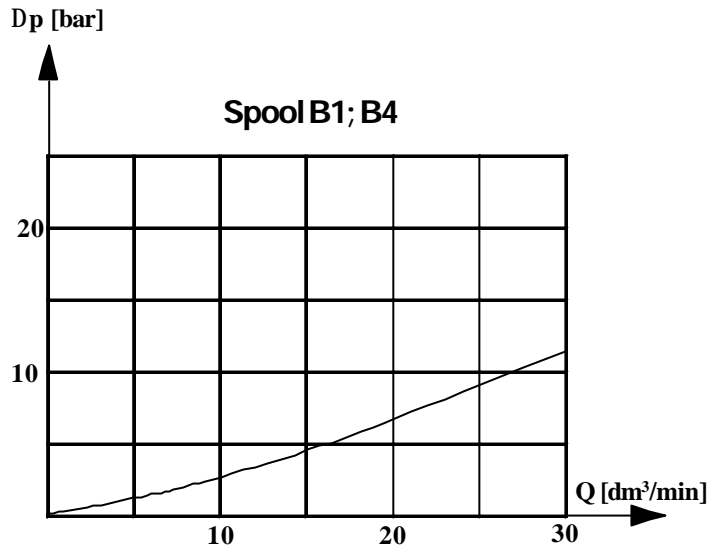
- Applies to all diameters of main orifice and phases



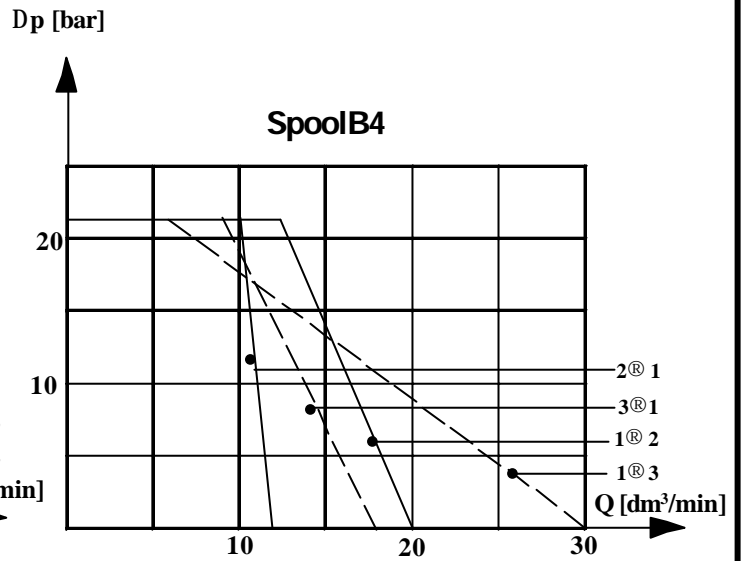
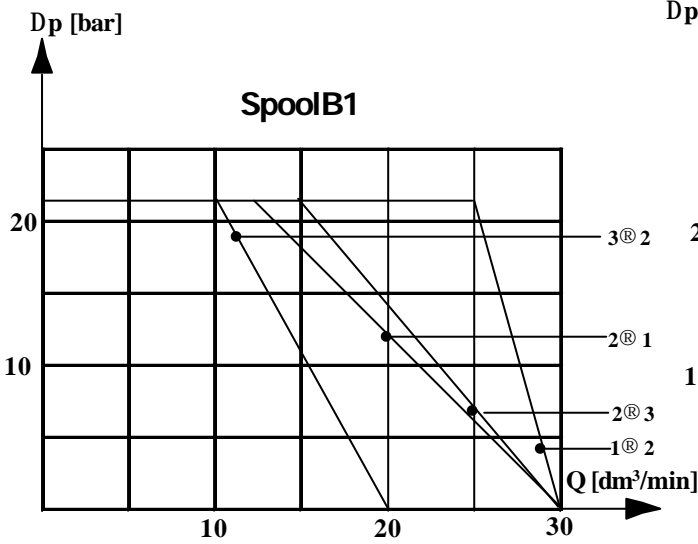
detail "a"

* max depth 4,9 mm

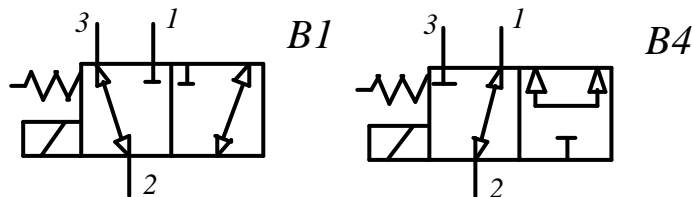
PERFORMANCE CURVES at $n = 41 \text{ mm}^2/\text{s}$ and temp. 323 K



Boundary flow rates



SYMBOL



HOW TO ORDER

Orders coded in the way showed below should be forwarded to the manufacturer

3URED 6	—12/ 2—	M1	Z4	*
----------------	---------	----	----	---

Spool type directional control valve

Control spool type
 Spool B1 = B1
 Spool B4 = B4

Series number
 12 = 12
 (12 - 19) = installation and connection dimension unchanged

Number of working position
 Two position valve = 2

Kind of cavity
 Cavity M22x1,5 = M1

Voltage for solenoid
 DC voltage 12V = G 12
 DC voltage 24V = G 24
 AC voltage 220V50Hz plug with rectifier = W220 - R

Electrical connection
 Angled plug Z4 = Z 4

Sealing
 for fluids on mineral oil base = no designation
 for fluid on phosphate ester base = V

Further requirements to be added in text (to agree with the manufacturer)

CODING EXAMPLE :
3 URED 6 B1 12/2 M1 G12 Z4 V

PONAR WADOWICE S.A.
ul. Wojska Polskiego 29
34-100 Wadowice
tel. 033/ 823 39 43, 823 30 41
fax 033/ 873 48 80
e-mail: ponar@ponar-wadowice.pl

