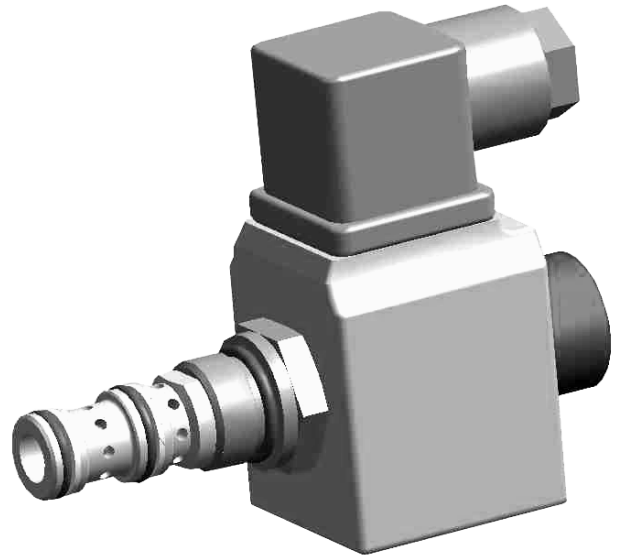


APPLICATION

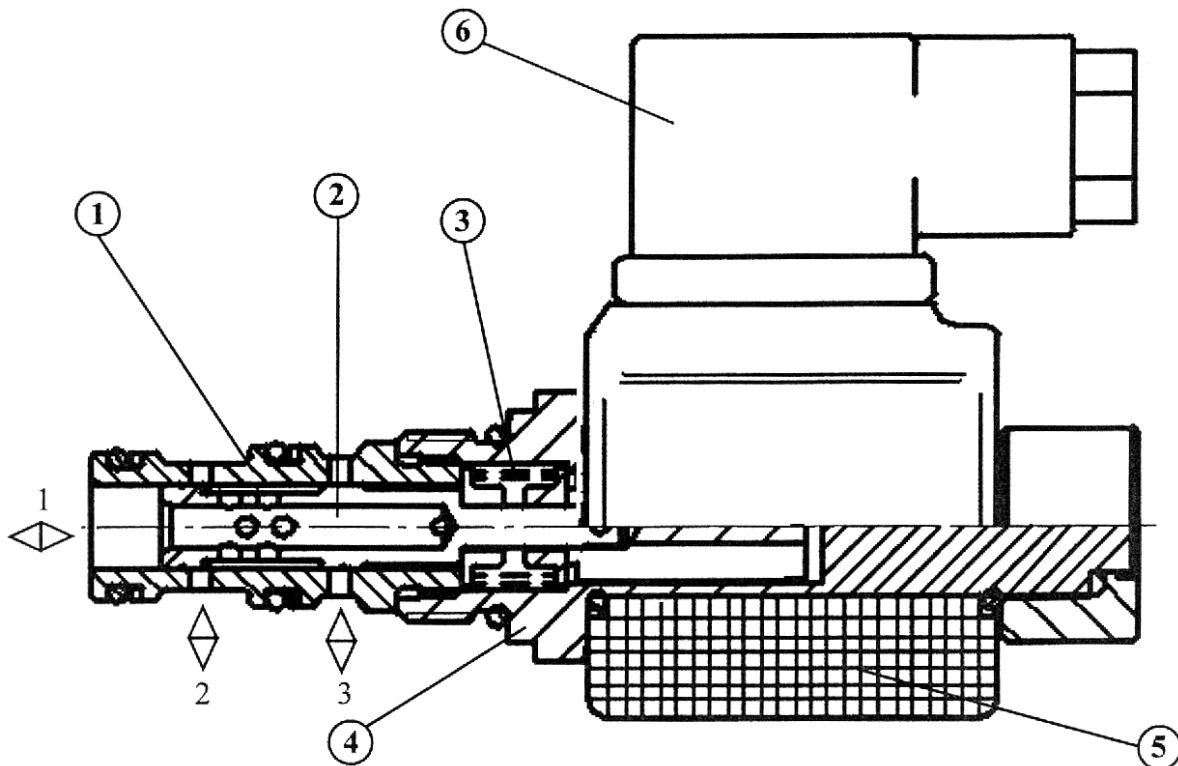
Directional cartridge control valves type 3 URED 4 are solenoid operated directional control valves. They control direction of oil flow.

1. Control of single acting cylinder - self-reversal of plunger.
2. Control of double acting cylinder - 2 parallel directional valves used.
3. Flow cut-off to pressure gauge or other component.
4. Control stream supply in equipment that requires external control.



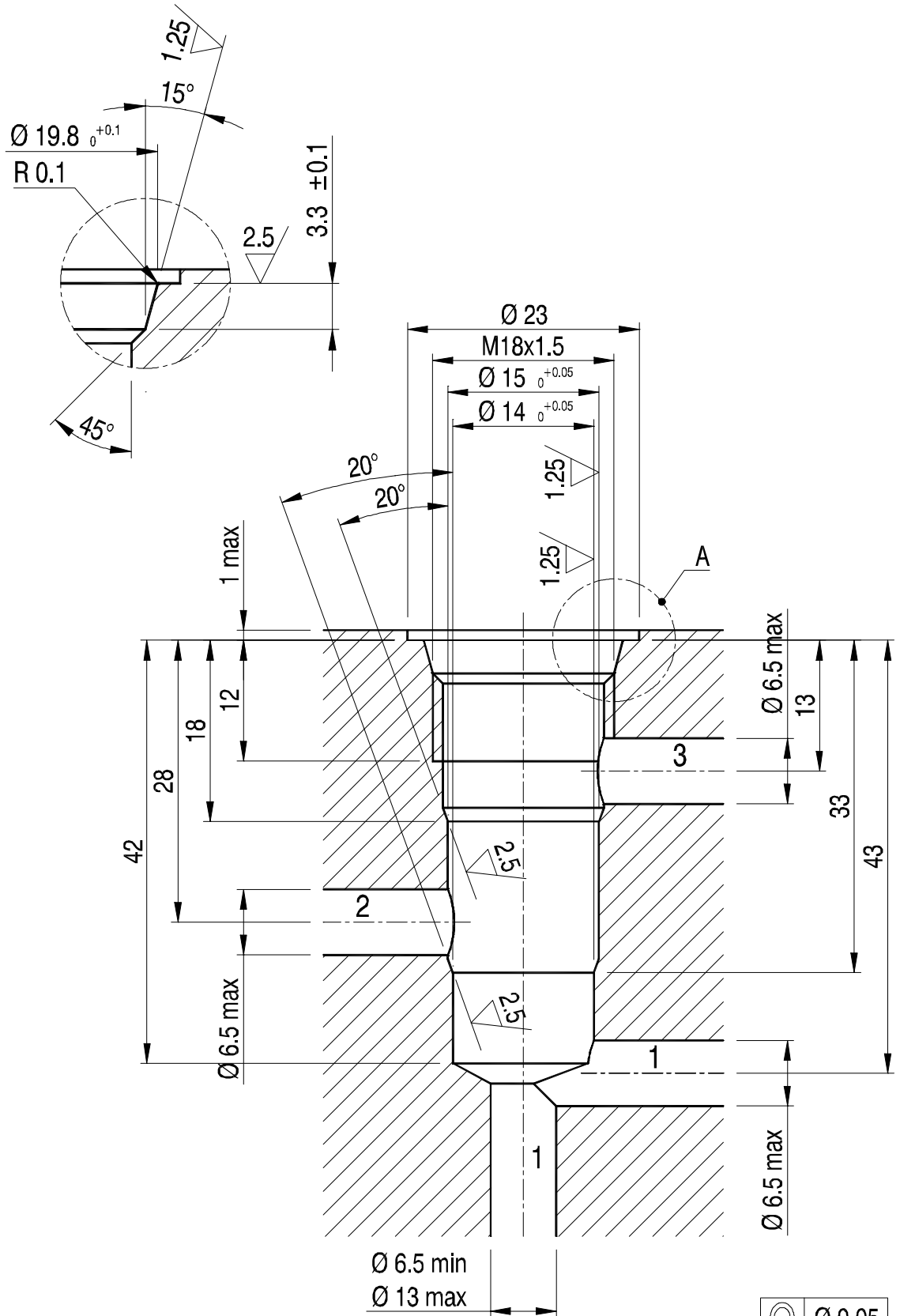
DESCRIPTION OF OPERATION

Sleeve 1 has radial openings that function as controlling edges. A plunger 2 moves inside the sleeve. Depending on the position of the plunger, ducts "1", "2" and "3" communicate with each other or are separated. Various flow control functions follow directly from the shape of the control plunger and sleeve. The plunger is moved when voltage is switched on to coil 5 via plug 6. The plunger is reversed by spring 3. The coil may be set at any angle in relation to sleeve 4.



MOUNTING DIMENSIONS FOR CAVITY NG4/3

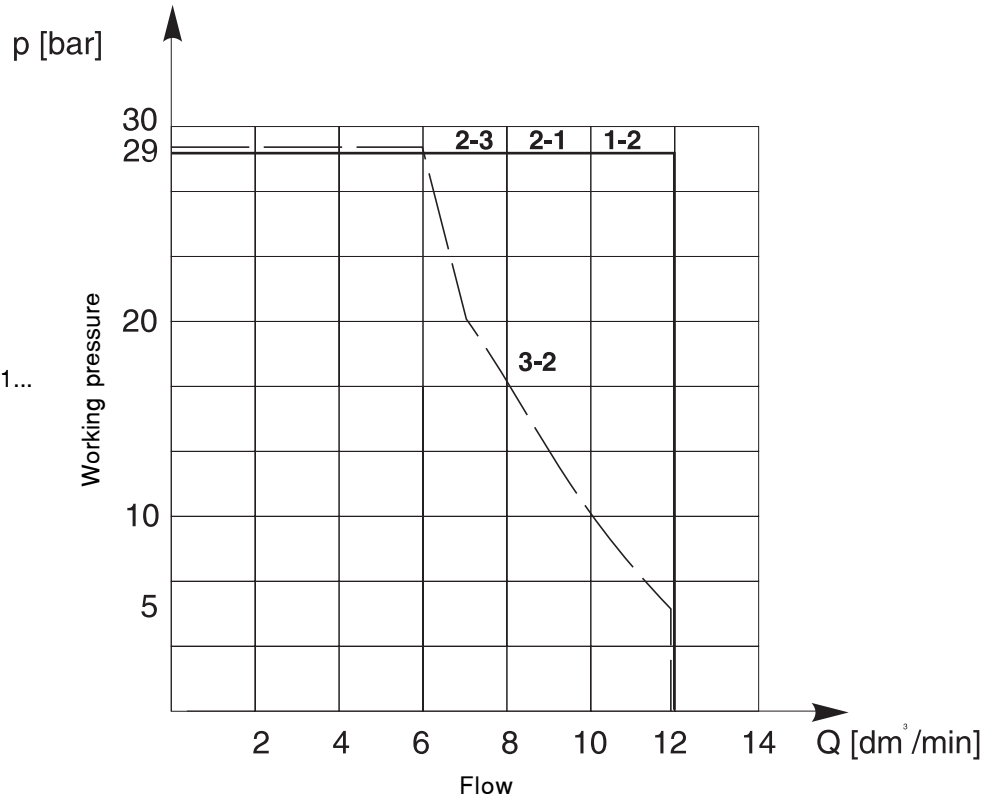
Detail A



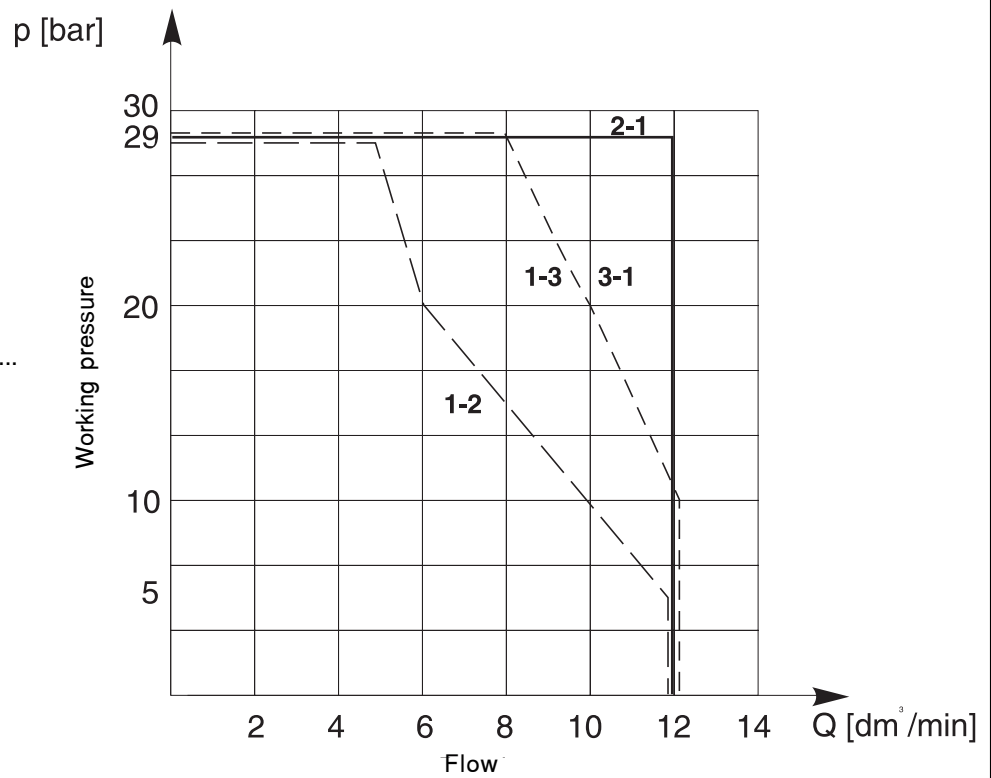
	Ø 0.05
	0.025

Performance curves at $n=41\text{mm}^2/\text{s}$ and temperature 323 K

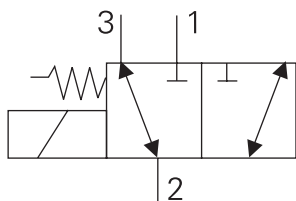
Boundary flow rates 3URED4B1...



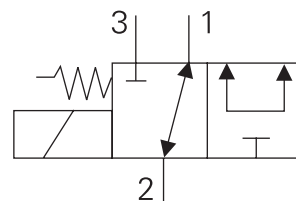
Boundary flow rates 3URED4B4...



SYMBOL



3URED4B1...



3URED4B4...

PONAR WADOWICE S.A.
ul. Wojska Polskiego 29
34-100 Wadowice
tel. 033/ 823 39 43, 823 30 41
fax 033/ 873 48 80
e-mail: ponar@ponar-wadowice.pl

