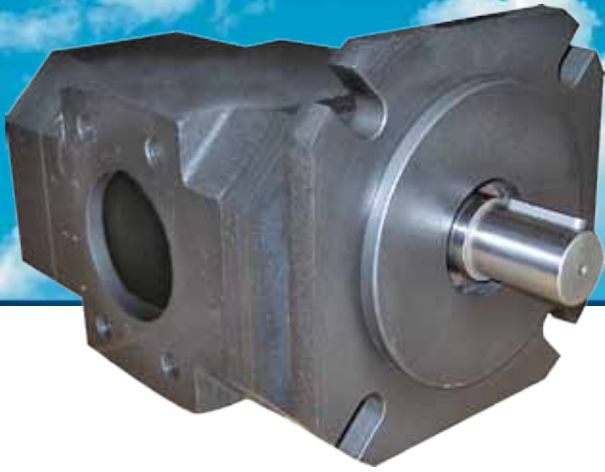


GO SILENTLY SAVING ENERGY



ENERGY



WIND

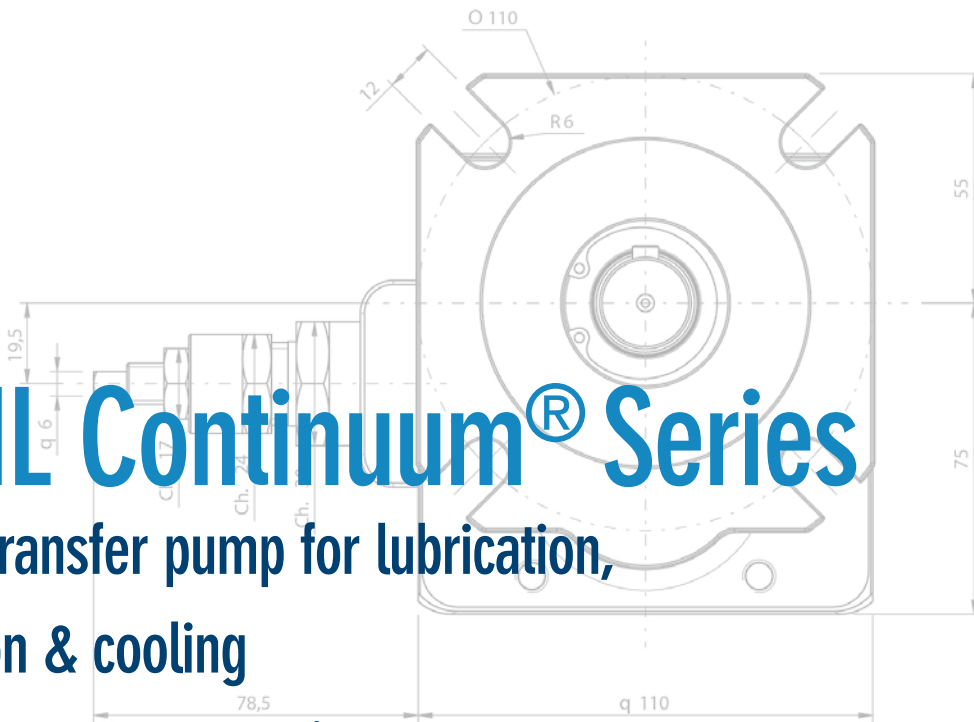


INDUSTRIAL

2VHL Continuum[®] Series

Silent transfer pump for lubrication,
filtration & cooling

Ideal for extreme environments



SEZIONE A-A

6,35



2VHL Continuum® Pumps

2VHL Continuum® Pumps are transfer pumps designed to handle a wide variety of fluids, with no operating noise. In few words transport and silence.

The rotors of **2VHL Continuum® pump** have been designed using the well known Continuum helical rotors, which are a byword for silence, energy consumption reduction and high performance.

The Continuum® concept, heart of **2VHL Continuum® Pump**, is based on three patented technological innovations:

- The rotors profile
- The screw step
- The inner force balancing

Three innovations that applied to the most advanced design and manufacturing capability of Settima, drive to a final result in terms of sustainable fluid power:

- Smooth changes in pressure growth
- High efficiency
- No noise
- Energy consumption reduction

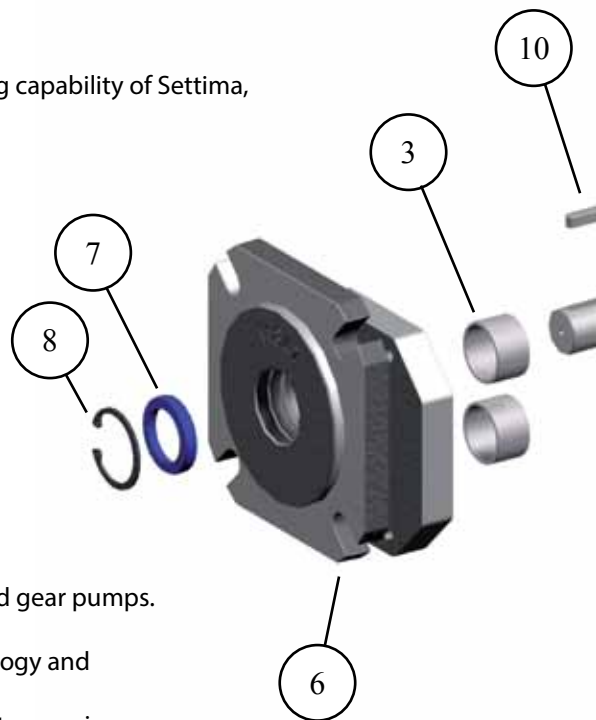
The standard housing sections of **2VHL Continuum® Pump** are made of grey cast iron, the helical rotors are manufactured with high strength hardened steel, located in a multi compound plain bearing bushes.

Drive shaft is sealed by rotary shaft lip-type sealing.

2VHL Continuum® Pumps are suitable for fluids with medium to high viscosity.

2VHL Continuum® Pumps dimensions and flanges are compatible with standard gear pumps.

The specific configuration of **2VHL Continuum® Pump**, the high level of technology and the material used are the perfect combination for the last generation wind mills industry. **2VHL Continuum® Pumps** mean long life, as the wind mills industry requires.



Applications



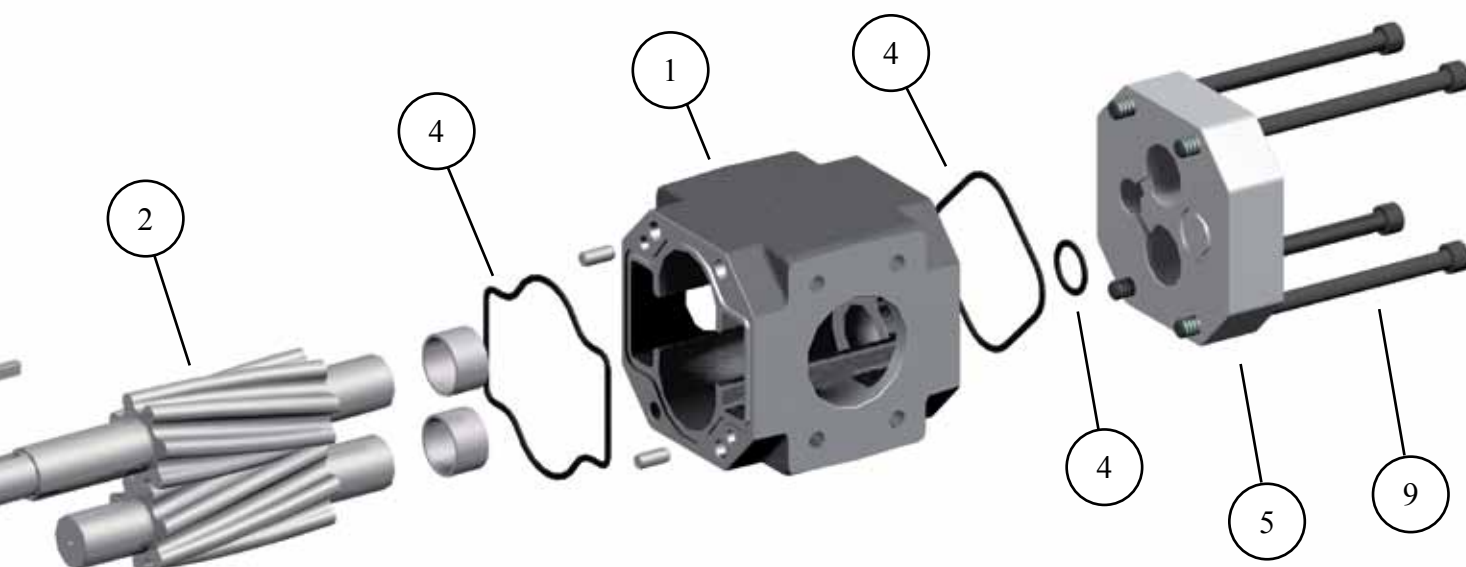
APPLICATIONS

Lubrication
Turbines and compressors
(gear boxes, transmissions,
bearings, shafts)
Filtration
Cooling
Recycle

FLOW MEDIA

Hydraulic fluids (mineral
and synthetic)
Thermal oils
Emulsions
Polyglycol oil
Heavy oil
Other fluids upon request

Product Description



Index

N°	Description	Material
1	Body	GJL 250*
2	Gears	Steel
3	Bushing DU	Steel
4	O Ring	NBR/FKM (FPM/EPDM)*
5	End cover	GJL 250*
6	Front cover	GJL 250*
7	Lip seal	NBR/FKM (FPM/EPDM)*
8	Circlip	Steel
9	Screws	Steel
10	Shaft key	Steel

* Others available upon request

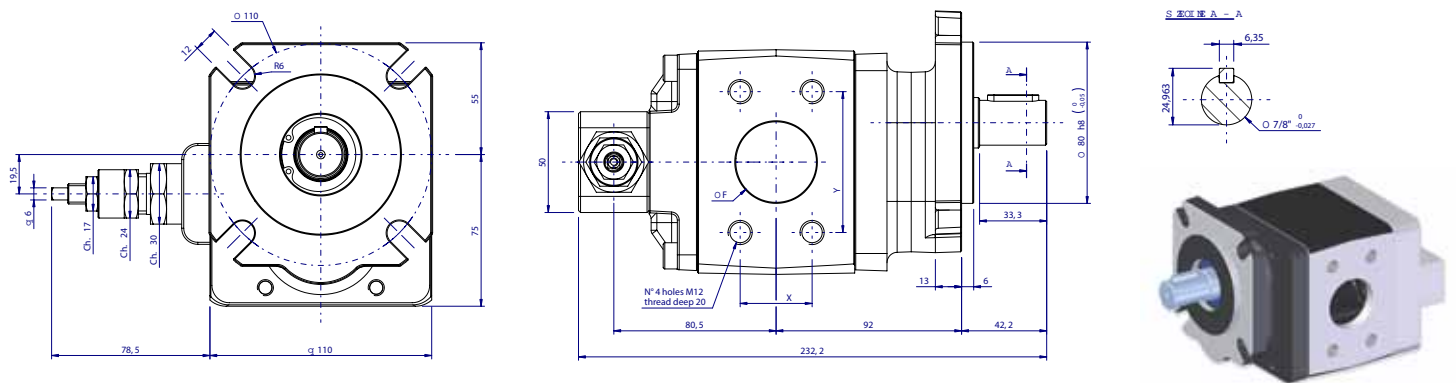
Standard performances

Characteristics	Unit	Minimum	Maximum
Gas content (undissolved)	Vol. %	-	10
Level of contamination	ISO4406	-	21/19/17
Kinematic viscosity	mm ² /s	7	100.000*
Temperature (NBR seals)	°C	-25	80
Temperature (FPM seals)	°C	-25	150
Acoustic emissions	db(A)	52 @ 1500 rpm	63 @ 2950 rpm
Pressure	bar	-	25 (peak: 40)

Above are listed the standard performances, whenever it's necessary to overtake those standards please contact **Settima**

* For viscosity level over 15.000 mm²/s please contact **Settima**

GR 47 - Dimensional drawing

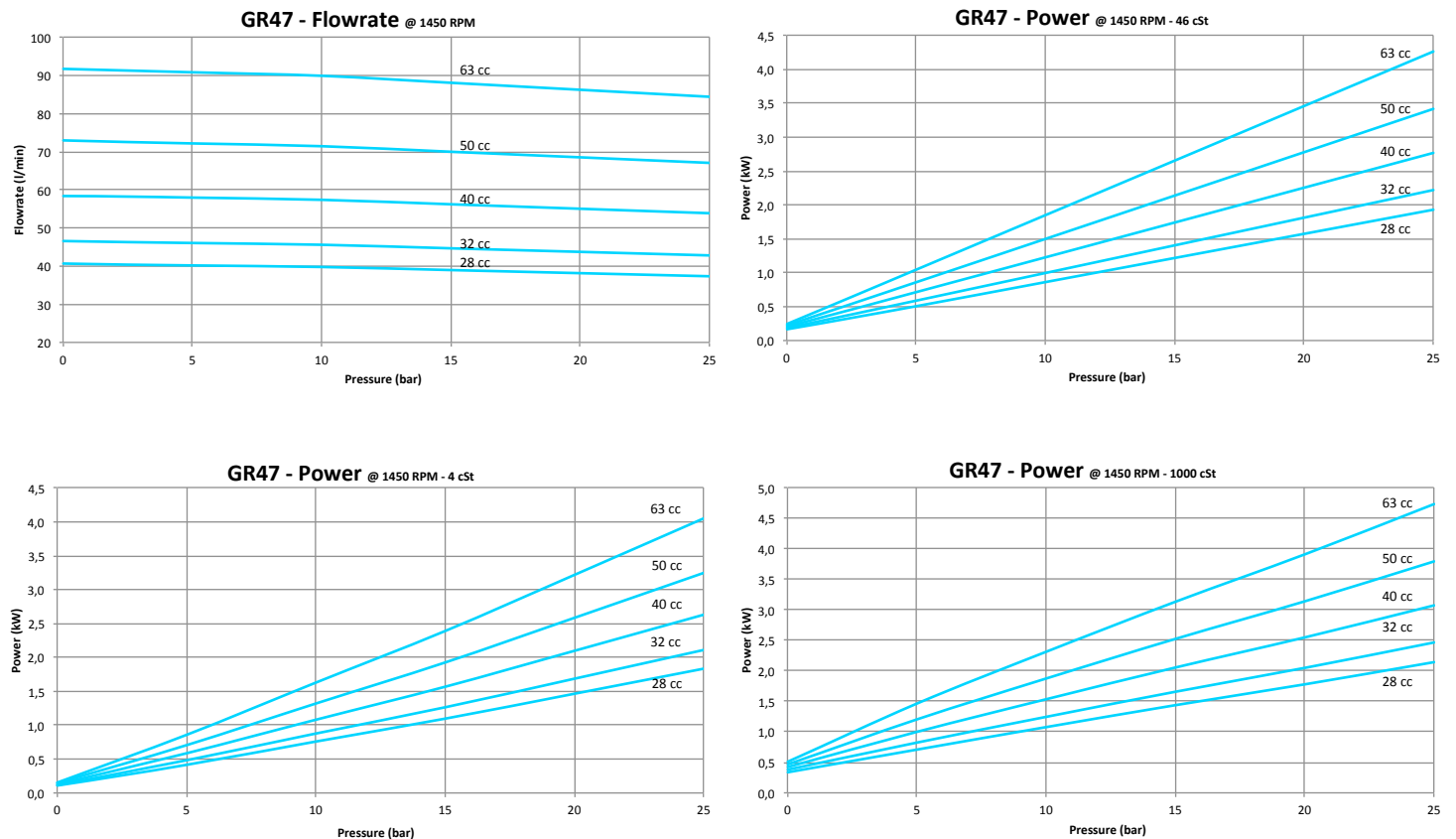


Details

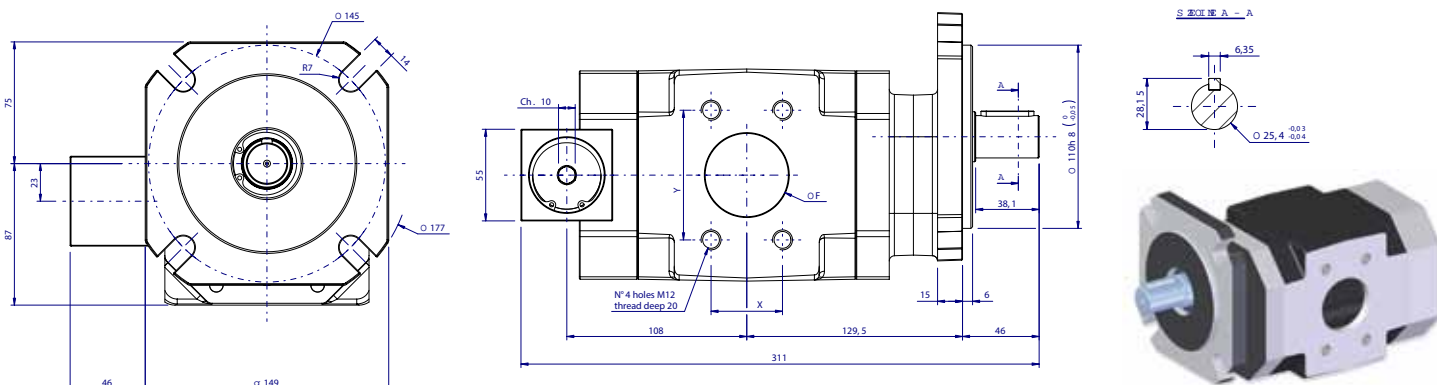
Nominal displacement [cm ³]	Description	ØF [mm]	X [mm]	Y [mm]	Weight [kg]
28	SAE 1 1/2"	40	35,70	69,85	9,5
32	SAE 1 1/2"	40	35,70	69,85	
40	SAE 1 1/2"	40	35,70	69,85	
50	SAE 2"	50	42,90	77,80	
63	SAE 2"	50	42,90	77,80	

Performance

In case of deviation of the fluid kinematic viscosity from the value reported in the below graphic (46 mm²/s), the flow rate can also deviate but with minimum values.



GR 55 - Dimensional drawing

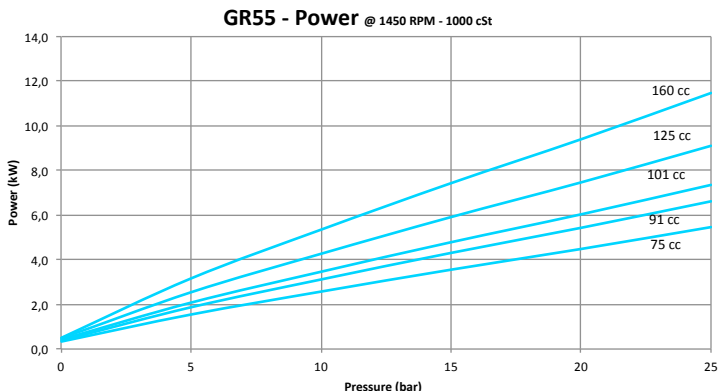
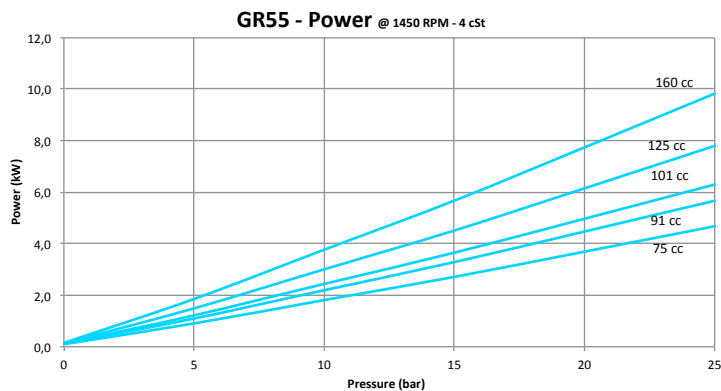
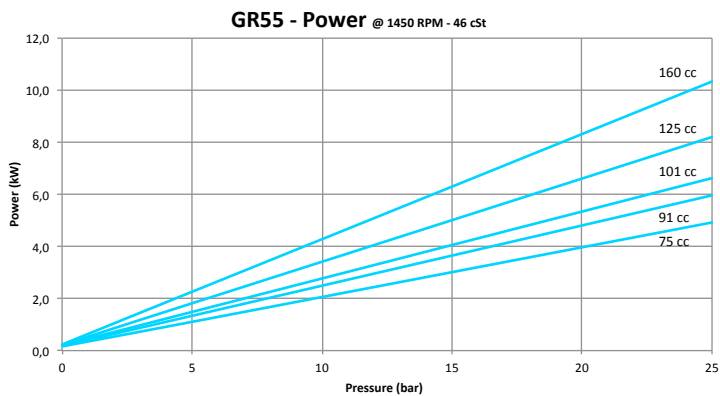
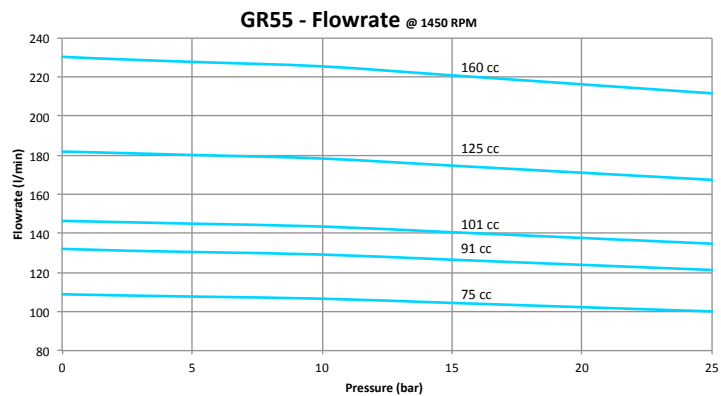


Details

Nominal displacement [cm ³]	Description	ØF [mm]	X [mm]	Y [mm]	Weight [kg]
75	SAE 2"	50	42,90	77,80	19
91	SAE 2"	50	42,90	77,80	
101	SAE 2"	50	42,90	77,80	
125	SAE 2 1/2"	63	50,80	88,90	
160	SAE 2 1/2"	63	50,80	88,90	

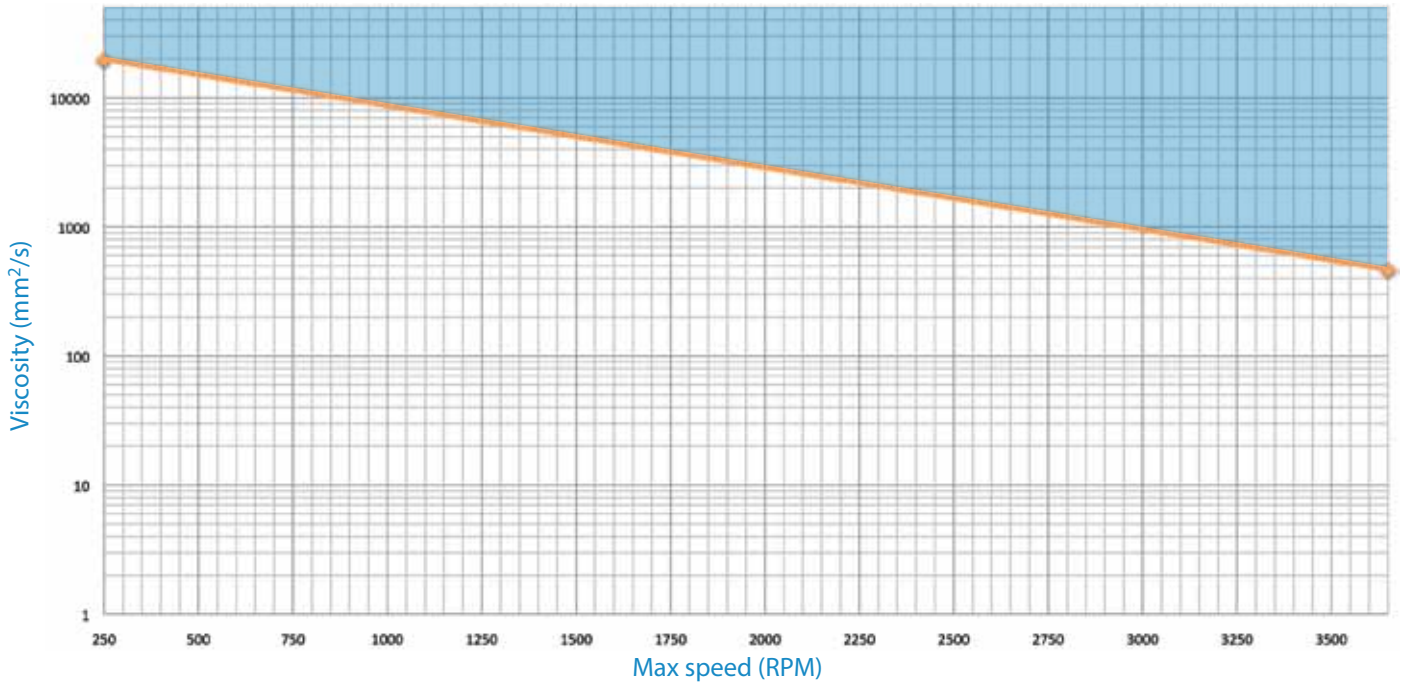
Performance

In case of deviation of the fluid kinematic viscosity from the value reported in the below graphic (46 mm²/s), the flow rate can also deviate but with minimum values.



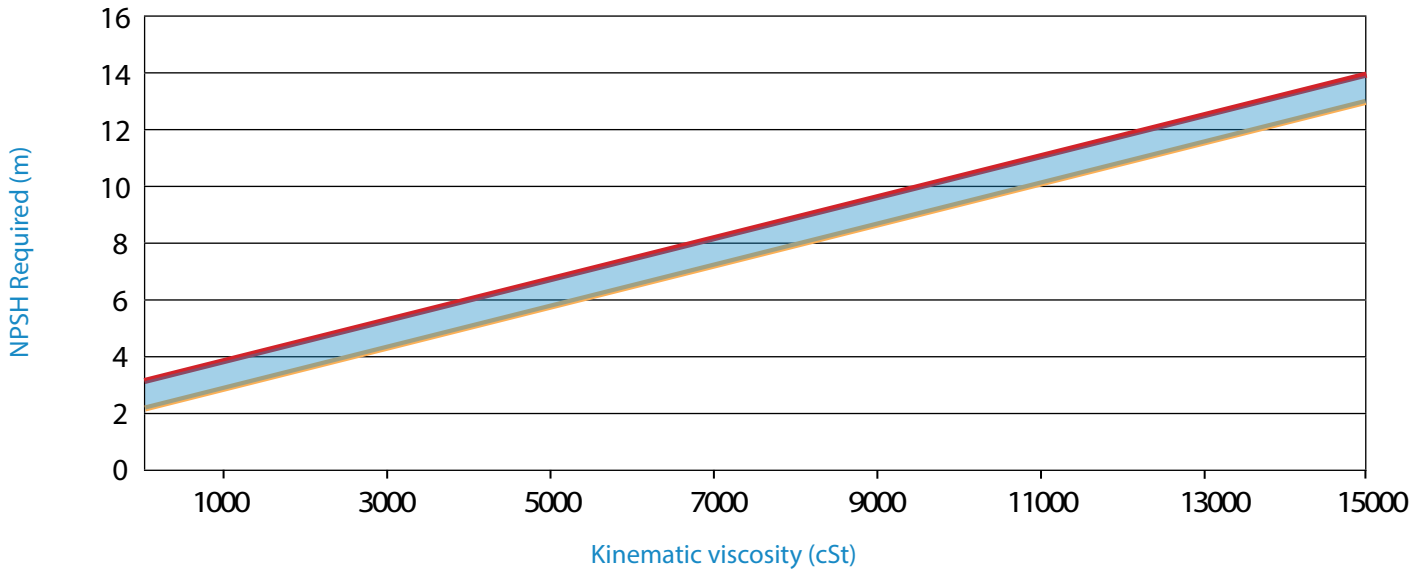
Speed Range

RPM limit



The graph is referred to the average performances of all 2VHL series. For more information please contact Settima.

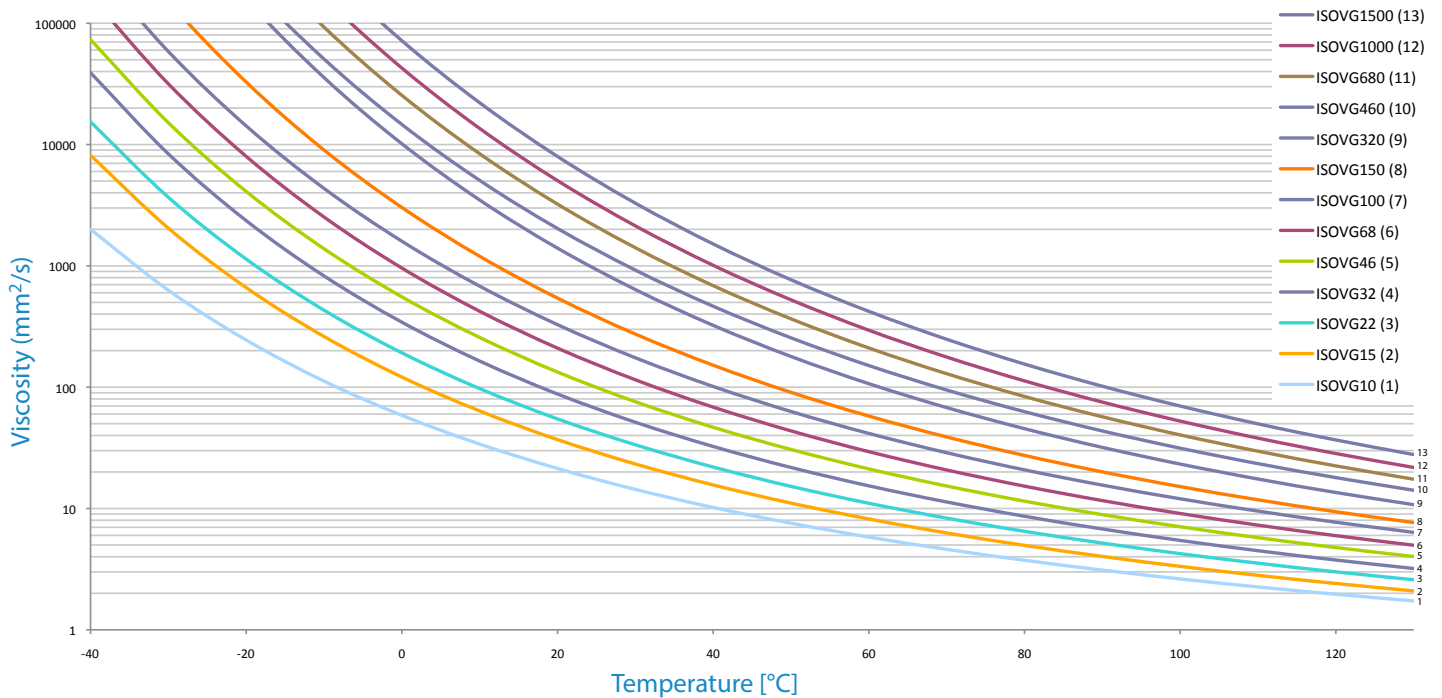
NPSH Required



The graph is referred to the average performances of all 2VHL series. For more information please contact Settima.

Lubricants

Lubricants (DIN51519)



Product range - Ordering code of GR47 - GR55

To order Settima 2VHL Continuum® Pumps, follow the below tables

Type	Class	Nominal CC	Flange & shaft	Ports	Seals	Rotation	Ext. adjustable safety valve	Corrosion & preservation
GR47	2VHL	28	F80IAC	M	<i>STANDARD</i> NBR --> none	<i>STANDARD</i> DX clockwise	<i>STANDARD</i> none	<i>STANDARD</i> Phosphating --> none
		32						
		40						
		50						
		63						

Type	Class	Nominal CC	Flange & shaft	Ports	Seals	Rotation	Ext. adjustable safety valve	Corrosion & preservation
GR55	2VHL	75	F110EAC	M	<i>STANDARD</i> NBR --> none	<i>STANDARD</i> DX clockwise	<i>STANDARD</i> none	<i>STANDARD</i> Phosphating --> none
		91						
		101						
		125						
		160						

SETTIMA

Settima, Italy

Headquarter, r&d and production

SETTIMA

USA
Warehouse

SETTIMA

ASIA Ltd
Office

Settima Meccanica Srl

Settima - 29020 Piacenza (Italia)

tel. +39 0523.3650

fax +39 0523.3650299

www.settima.it

info@settima.it

SETTIMA[®]
research & innovation, always