

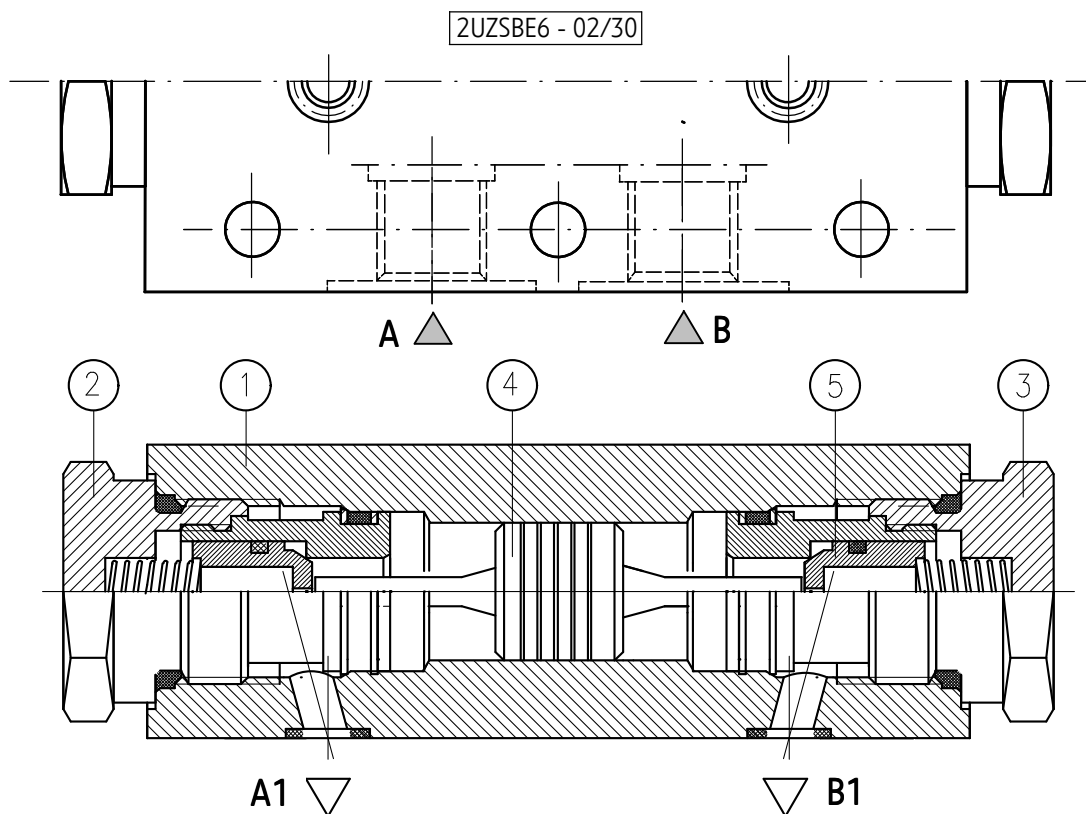
APPLICATION

Double check valves type 2UZSBE6... are used to shut off oil flow in one direction and allow free flow in the opposite direction. They can also be opened in the direction of closure. These valves are mostly used:

- to relieve a working circuit under pressure
- to prevent a load from falling in case of a line rupture
- to prevent creep movements of hydraulically stressed receivers.



DESCRIPTION OF OPERATION



Double check valve type 2UZSBE6... is assembled by fitting two check valves pilot operated (2) and (3) in one housing (1).

There is free flow from port **A** to port **A1** or/and from port **B** to port **B1** whereas the flow from port **A1** to port **A** or/and from port **B1** to port **B** is blocked. When, for example fluid flows through the valve from port **A** to port **A1**, the piston (4) is shifted to the right

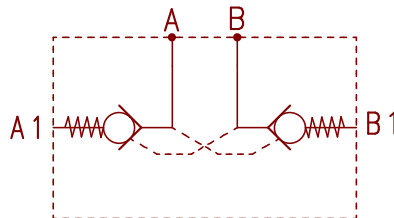
and pushes the poppet of the check valve (5) from its seat. The connection from **B1** to **B** is open. The valve operates similarly when the fluid flows from port **B** to port **B1**. Pressure dissipation in ports **A** or **B** causes both valves to be closed. In order to ensure safe and tight closing of valves both ports **A** and **B** should be connected with a return line.

TECHNICAL DATA

Hydraulic fluid	mineral oil	
Required filtration	up to 16 μm	
Recommended filtration	up to 10 μm	
Nominal fluid viscosity	37 mm^2/s at temperature 55 °C	
Viscosity range	2,8 up to 380 mm^2/s	
Fluid temperature range (in a tank)	recommended	40 °C up to 55 °C
	max	-20 °C up to +70 °C
Ambient temperature range	- 20 °C up to +70 °C	
Maximum operating pressure	29 MPa	

SCHEMES

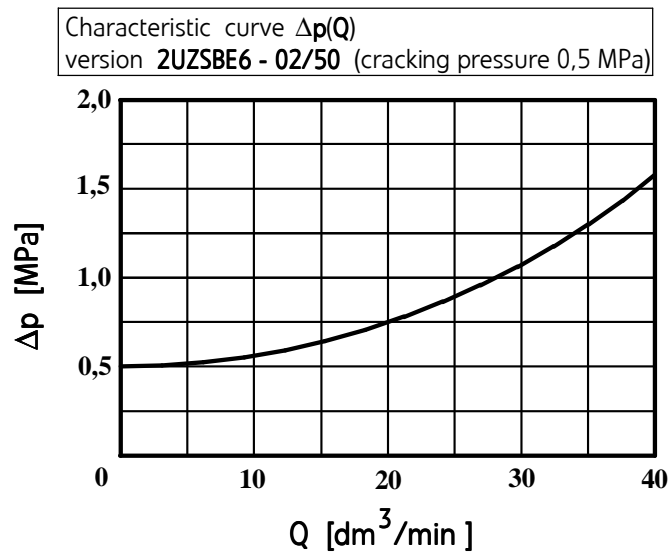
Graphic symbol for the valve type 2UZSBE6...



PERFORMANCE CURVES

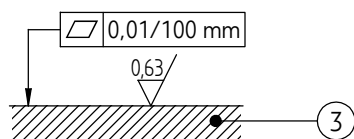
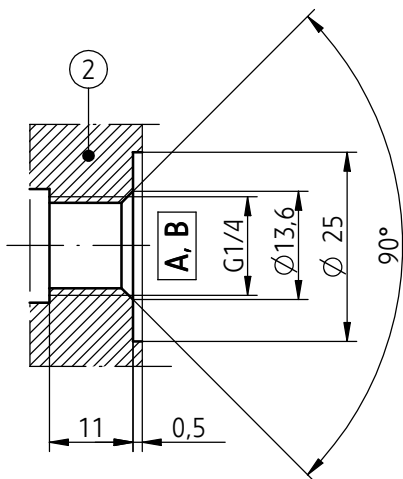
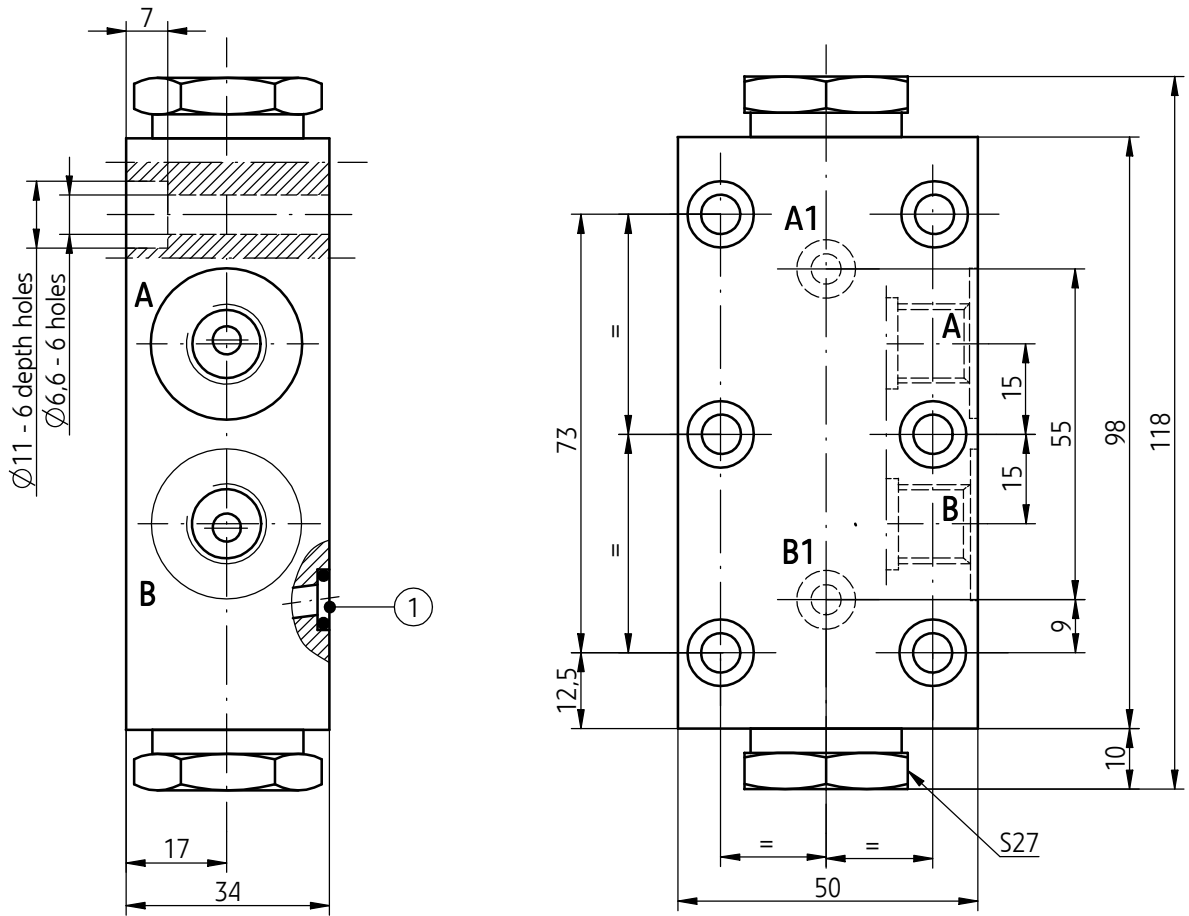
measured at viscosity $\nu = 41 \text{ mm}^2/\text{s}$ and temperature $t = 50^\circ\text{C}$

Flow resistance curve



OVERALL AND CONNECTION DIMENSIONS

Valve type 2UZSBE6...



- 1 - O-ring 7 x 1,5 - 2 pcs/kit (A1, B1)
- 2 - Connection dimensions (A, B)
- 3 - Subplate surface required

HOW TO ORDER

2UZSBE	6	02	/			*
---------------	----------	-----------	---	--	--	---

Nominal size (NS) NS6 = 6					
Series number (01-09) - connection and installation dimensions unchanged = 0X series 02 = 02					
Cracking pressure 0,1 MPa = 10 0,15 MPa = 15 0,3 MPa = 30 0,5 MPa = 50					
Sealing NBR (for fluids on mineral oil base) = no designation FPM (for fluids on phosphate ester base) = V					
Further requirements in clear text (to be agreed with the manufacturer)					

NOTES:

The valve should be ordered according to the above coding.
 Subplates type **G001** and mounting bolts **M6 x 40 - 10.9**
 in accordance with **PN - EN ISO 4762** – 6 pcs/kit must be
 ordered separately – see page 4

The symbols in bold are preferred versions in short delivery time.

Coding example: **2UZSBE6 - 02/30**

PONAR Wadowice S.A.
ul. Wojska Polskiego 29
34-100 Wadowice
tel. +48 33 488 29 00
fax.+48 33 488 21 03
www.ponar-wadowice.pl

