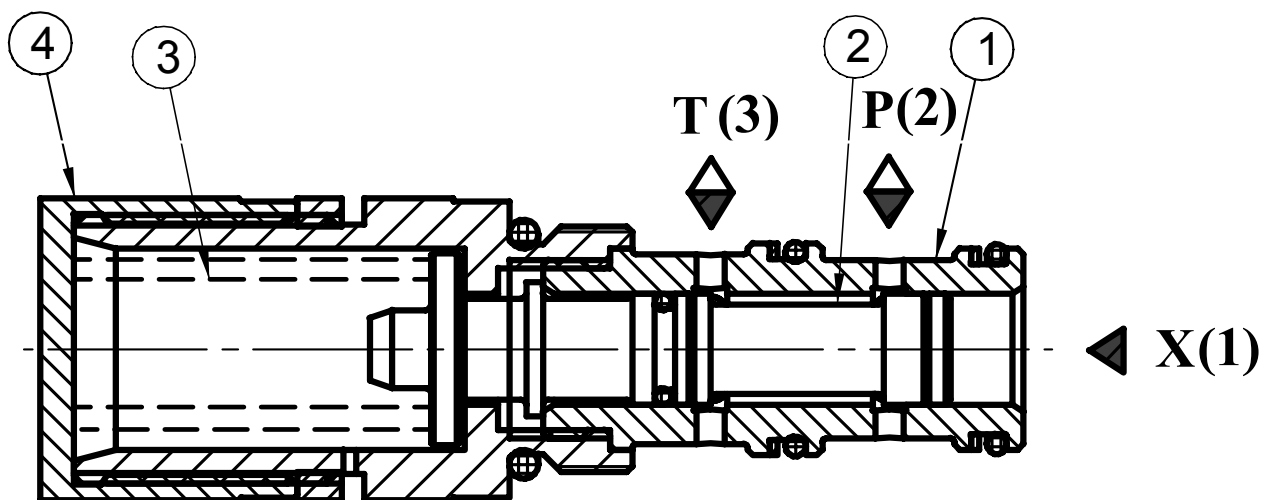


APPLICATION

Pressure sequence valve type 2URHD6 serves to switch a system or any part of a system on (version Z2) or off (version Z1) when a set pressure is reached.



DESCRIPTION OF OPERATION



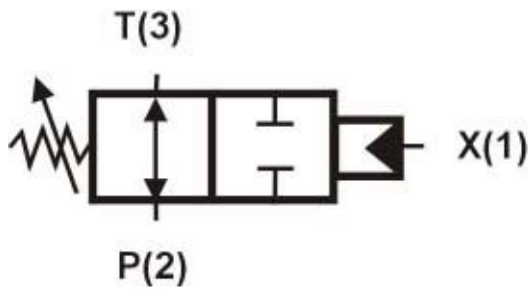
A moveable control spool 2 is in the valve sleeve 1. When a pressure X does not act onto the spool, the spool assumes a position : the line P-T closed (version Z2), the line P-T connected (version Z1).

The increasing control pressure X exceeds the tension of a spring 3 and thus the spool switches and the line P-T opens (version Z2) or the line P-T closes (version Z1). Value of the switching pressure can be set by an adjustment 4.

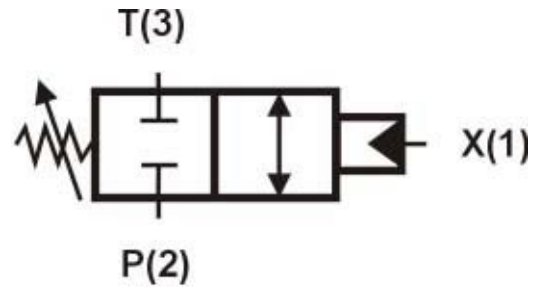
TECHNICAL DATA

Working fluid	Mineral oil
Nominal fluid viscosity	37 mm ² /s at a temp. 328 K (55 ⁰ C)
Viscosity range	2,8 do 380 mm ² /s
Optimum working temperature range	313 – 328 K (40 do 55 ⁰ C)
Working temperature range	243 – 343 K (-30 do 70 ⁰ C)
Max working pressure	29 MPa
Pressure range	3, 6, 12, 18, 25, MPa
Max flow rate	30 dm ³ /min
Required fluid filtration	16 μm
Recommended fluid filtration	10 μm
Weight	0,22 kg

SYMBOL



2URHD 6 Z1



2URHD 6 Z2

HOW TO ORDER

Orders coded in the way showed below should be forwarded to the manufacturer.

2URHD6	12	/	M1			*
---------------	-----------	----------	-----------	--	--	----------

Series number
 12 = 12
 (12 - 19) installation and
 connection dimension unchanged

Type:
 - in starting position
 line P-T open = **Z1**
 - in starting position
 line P-T closed = **Z2**

Kind of cavity
 cavity M22 x 1,5 = **M1**

Pressure range
 3 MPa = **30**
 6 MPa = **60**
 12 MPa = **120**
 18 MPa = **180**
 25 MPa = **250**

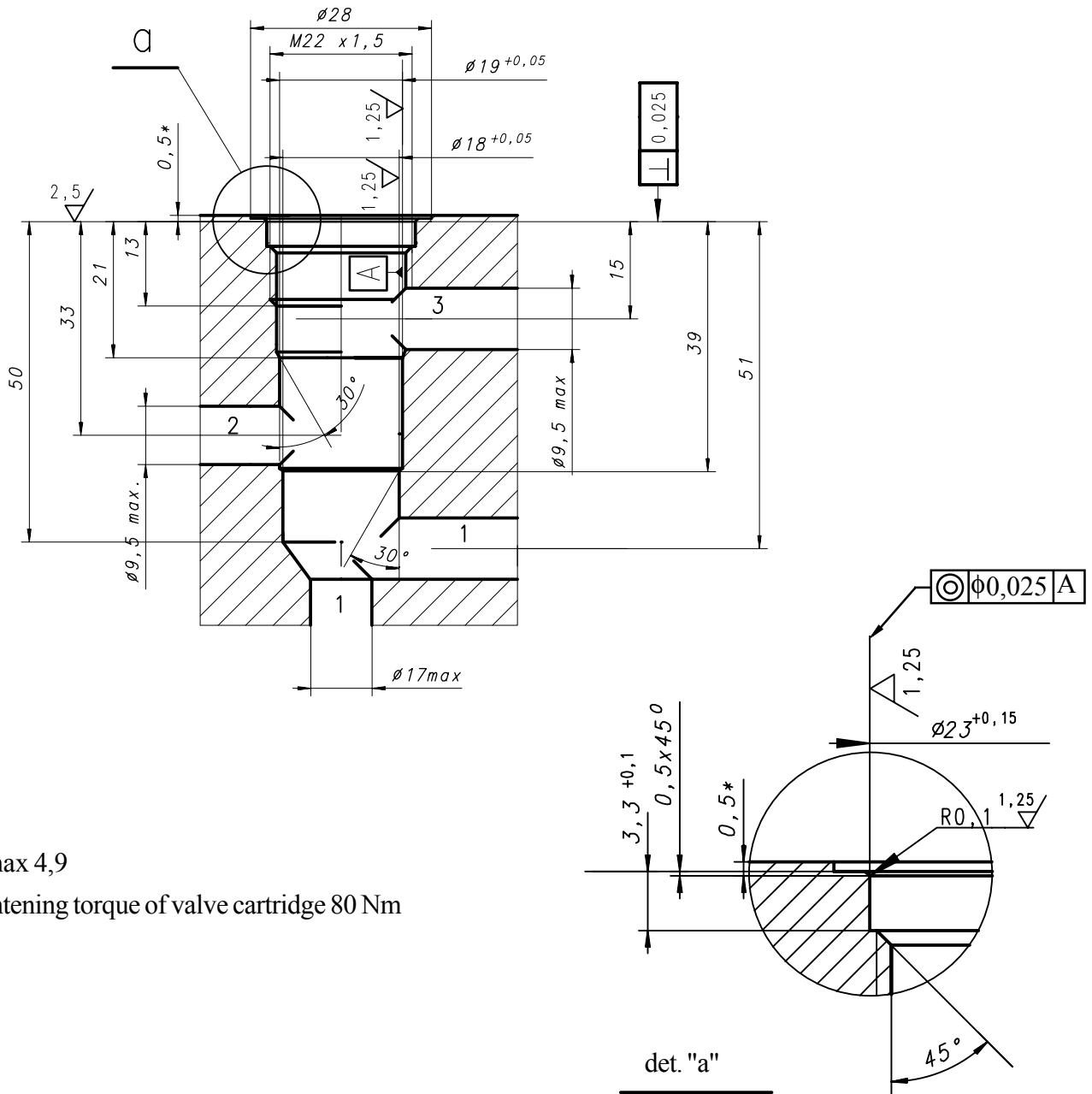
Sealing
 oilproof = **no designation**
 viton = **V**

Further requirements to be added in text
 (to agree with manufacturer)

Coding example:

2URHD6 - 12 / Z1 - M1 - 180 - V

DIMENSIONS OF CAVITY



* max 4,9
Tightening torque of valve cartridge 80 Nm

PONAR WADOWICE S.A.
ul. Wojska Polskiego 29
34-100 Wadowice
tel. 033/ 823 39 43, 823 30 41
fax 033/ 873 48 80
e-mail: ponar@ponar-wadowice.pl

