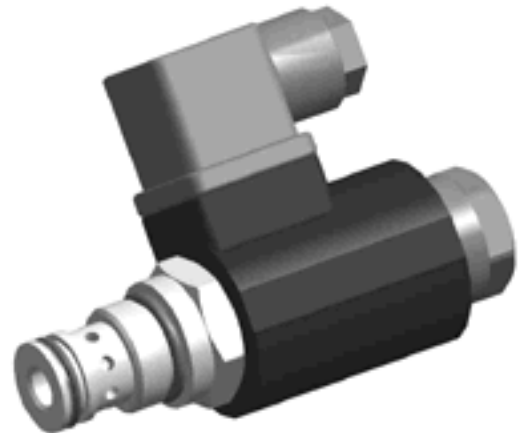


APPLICATION

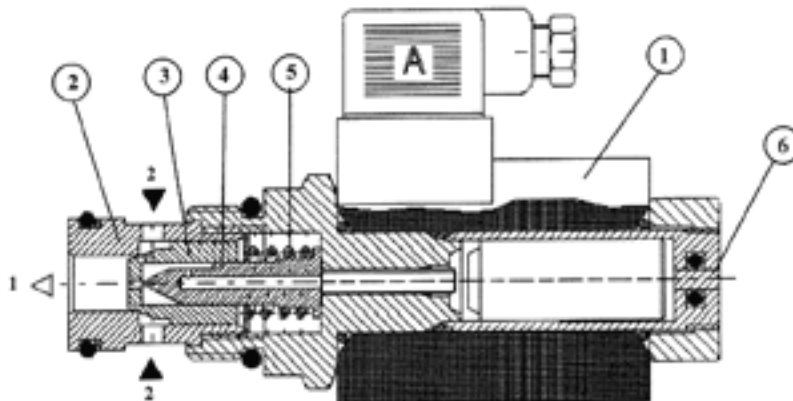
One-way direct acting double lock normally closed pop-pet style solenoid cartridge valves type 2 URES 6 are designed for application requiring extremely fast response times and virtually zero internal leakage.



DESCRIPTION OF OPERATION

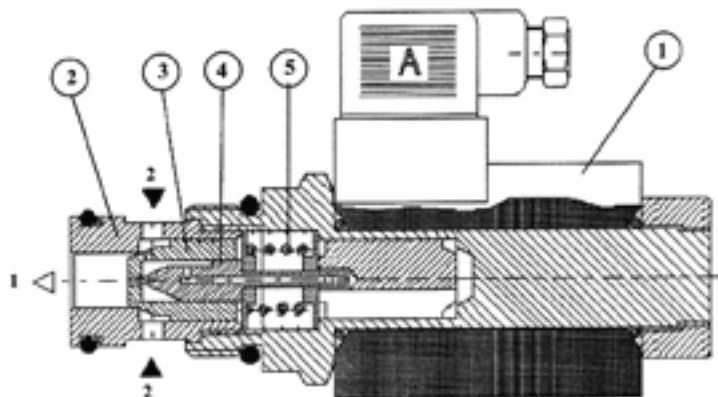
SOLENOID VALVES 2 URES 6 - A1

The directional valve consists of solenoid 1, sleeve 2, cone 3, needle 4, spring 5 and emergency button 6. Flow is enabled or cut off by moving the cone 3 in sleeve 2. Flow from 2 to 1 is cut off by applying supply voltage onto the solenoid and moving needle 4, which in consequence closes cone 3 by pressure from duct 2. Flow from 2 to 1 is enabled by applying supply voltage onto the solenoid and moving needle 4, which in consequence opens cone 3 by pressure from duct 2.



SOLENOID VALVES 2 URES 6 - A2

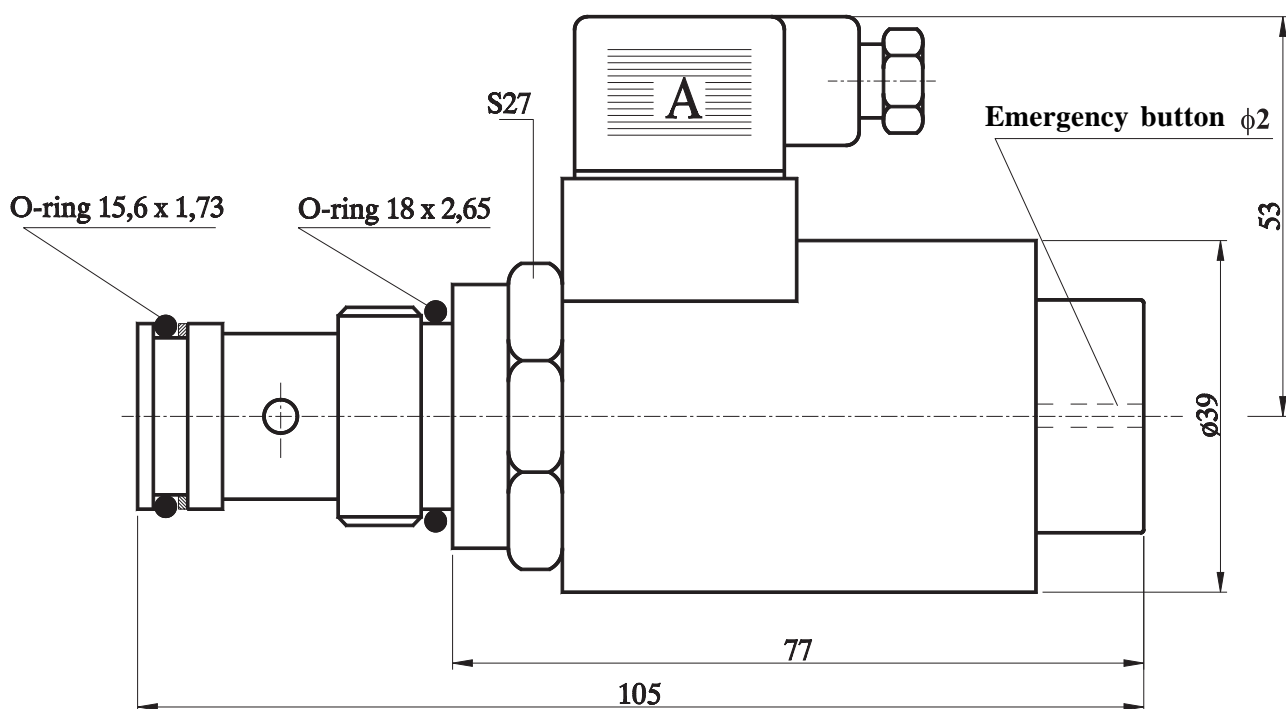
The directional valve consists of solenoid 1, sleeve 2, cone 3, needle 4 and spring 5. Flow from 2 to 1 is enabled by applying supply voltage onto the solenoid and moving needle 4, which in consequence opens cone 3 by pressure from duct 2. When supply voltage is switched off, the needle 4 is reversed by spring 5 and cone 3 is closed.



TECHNICAL DATE

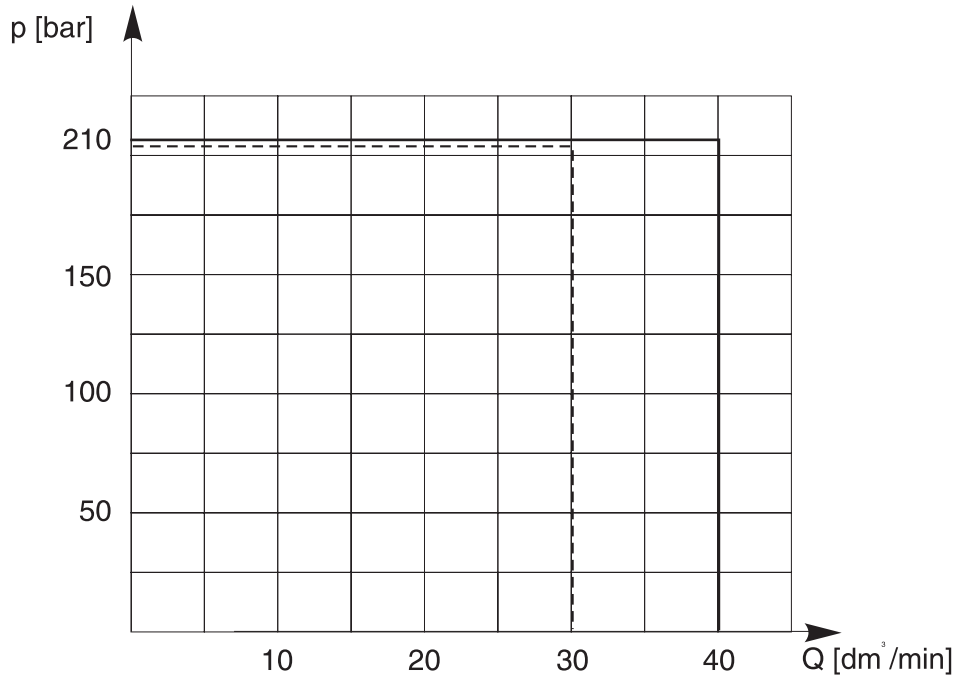
Working fluid	Mineral oil
Nominal fluid viscosity	37 mm ² / s at temperature 328 K
Viscosity range	2,8 up to 380 mm ² / s
Optimum working temperature range	313 up to 328 K
Fluid temperature range	243 up to 343 K
Required fluid filtration	16 μm
Recommended fluid filtration	10 μm
Max. pressure	21 MPa
Power requirement	26 W
Weight	~ 0,45 kg
Security degree	IP 65

OVERALL AND CONNECTION DIMENSIONS

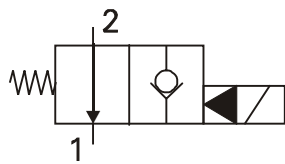


Boundary flow rates in directional valve 2 URES 6

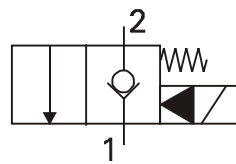
- - ver. A1
- - - - - ver. A2



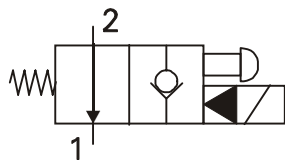
SYMBOL



2 URES 6 ... A1



2 URES 6 ... A2



2 URES 6 ... A1...N

HOW TO ORDER

Orders coded in the way showed below should be forwarded to the manufacturer

2	U	R	E	S	6			12	/	2	M	1				Z	4		*
---	---	---	---	---	---	--	--	----	---	---	---	---	--	--	--	---	---	--	---

Control spool type
 Spool A1 = A1
 Spool A2 = A2

Series number
 12 = 12
 (12 - 19) = installation and connection dimension unchanged

Number fo working position
 Two position valve = 2

Kind of cavity
 Cavity M22x1,5 = M1

Voltage for solenoid
 DC voltage 12V = G12
 DC voltage 24V = G24
 AC voltage 110V - 50Hz plug with rectifier = W110 R
 AC voltage 220V - 50Hz plug with rectifier = W220 R

Emergency control
 Without emegency control = no destignation
 With emergency control = N
 (for version A1 only)

Electrical connection
 Angled plug Z4 = Z4

Sealing
 oilproof = no destignation
 viton = V

Further requirements to be added in text (to agree with the manufacturer)

CODING EXAMPLE:
 2 URED 6 A1 12/2 M1 G12N Z4

PONAR WADOWICE S.A.
ul. Wojska Polskiego 29
34-100 Wadowice
tel. 033/ 823 39 43, 823 30 41
fax 033/ 873 48 80
e-mail: ponar@ponar-wadowice.pl

