

APPLICATION

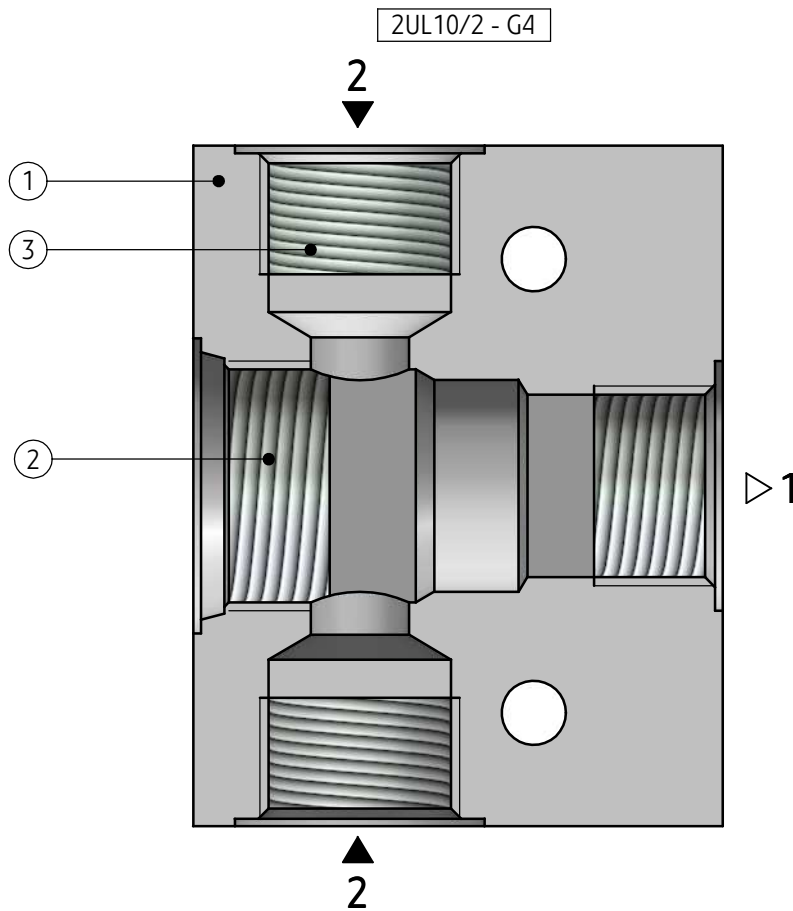
Plates type 2UL10/2 with thread connections are used to mount cartridge valves nominal size 10 (NS10) produced by PONAR - WADOWICE S.A.



DESCRIPTION OF OPERATION

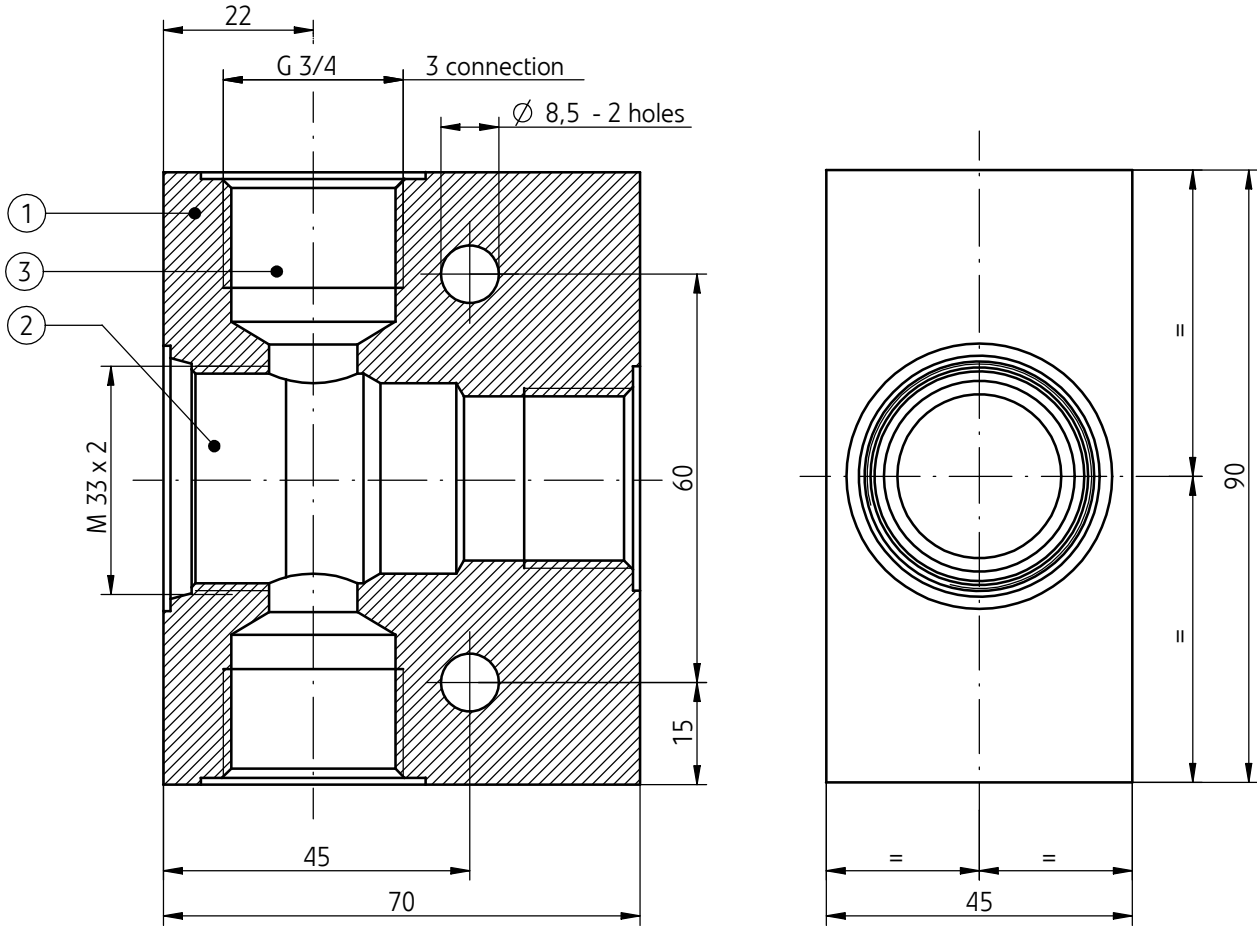
Plate type 2UL10/2 allows to mount into thread connections cartridge valves (pressure valve, directional control valve) nominal size 10 (NS10) by

means of the connection (2) of the element in the housing (1) and connections of pipelines (3).



OVERALL AND CONNECTION DIMENSIONS

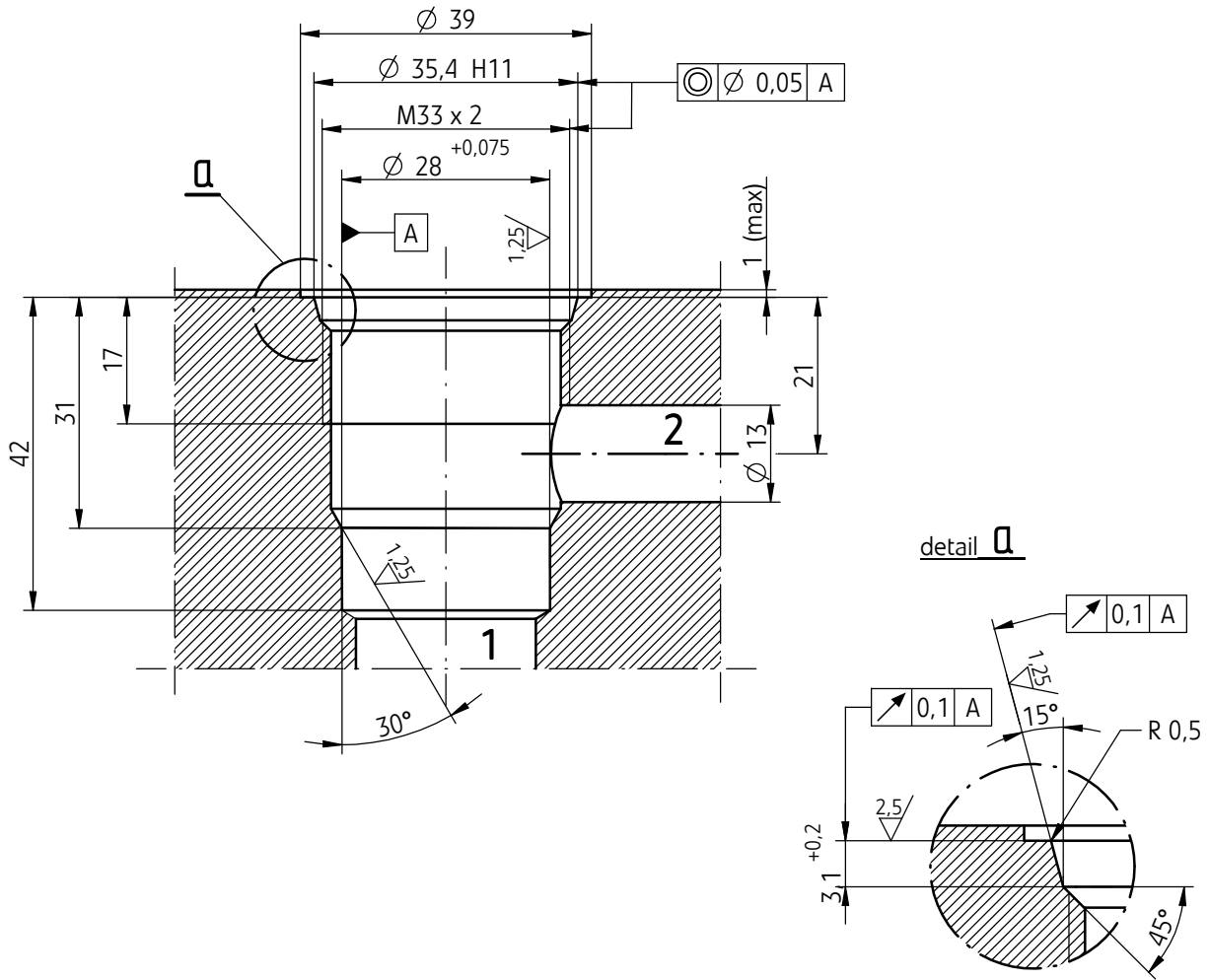
Plate type 2UL10/2 - G4



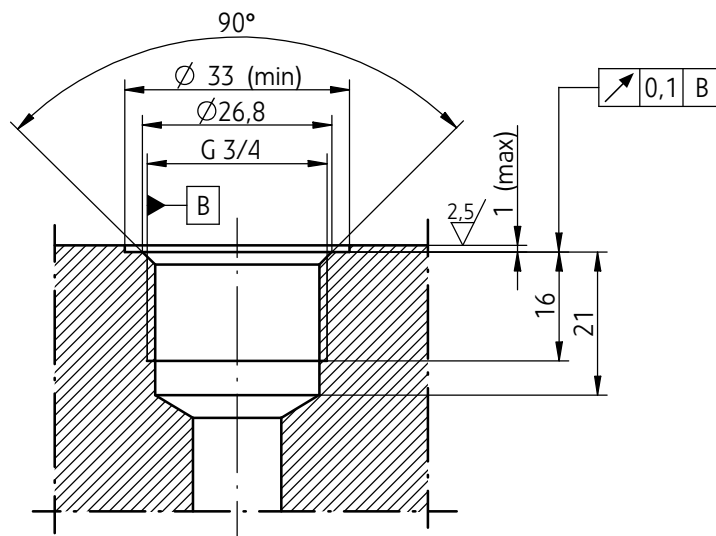
- 1 - Housing
- 2 - Connection of the element nominal size 10 (NS10)
(directional control valve or pressure valve)
- 3 - Connection of pipelines G 3/4 (G4)

OVERALL AND CONNECTION DIMENSIONS

Connection of the element nominal size 10 (NS10)



Connection of pipelines G3/4 (G4)



HOW TO ORDER

	2	UL	10 /	2 -	G4	★
Type of connection for hydraulic element (valve or directional control valve NS 10) 2-way connection	= 2					
Nominal size of plate NS10	= 10					
Configuration of thread connections of pipelines Positioning of connections according to the drawing – see page 2	= 3					
Type of connections of pipelines Connection G3/4	= G4					
Further requirements in clear text (to be agreed with the manufacturer)						

NOTES:

The plate should be ordered according to the above coding.

The symbols in bold are preferred versions in short delivery time.

Coding example: 2UL10/2 – G4

PONAR Wadowice S.A.
ul. Wojska Polskiego 29
34-100 Wadowice
tel. +48 33 488 29 00
fax.+48 33 488 21 03
www.ponar-wadowice.pl

