

APPLICATION

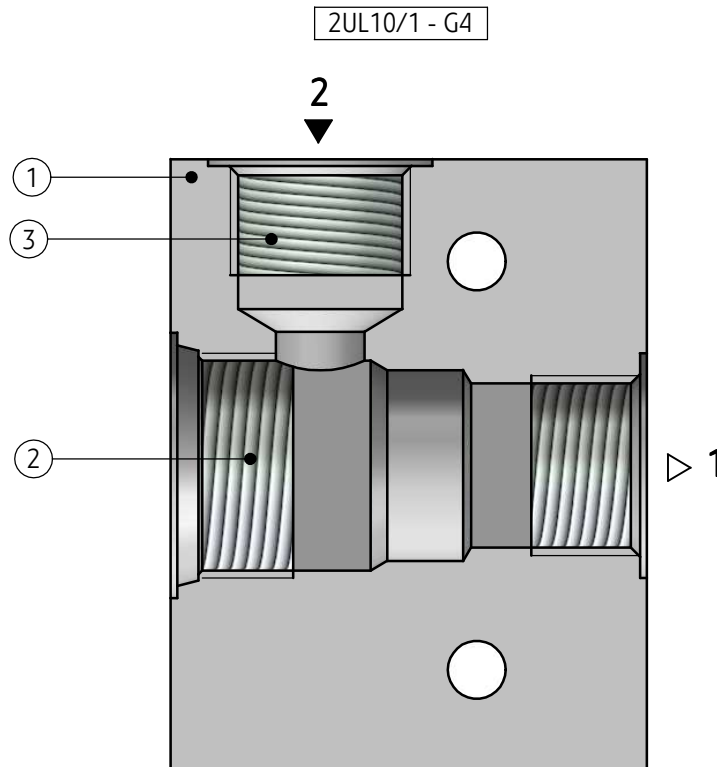
Plates type 2UL10/1 with thread connections are used to mount cartridge valves **nominal size 10 (NS10)** produced by **PONAR - WADOWICE S.A.**



DESCRIPTION OF OPERATION

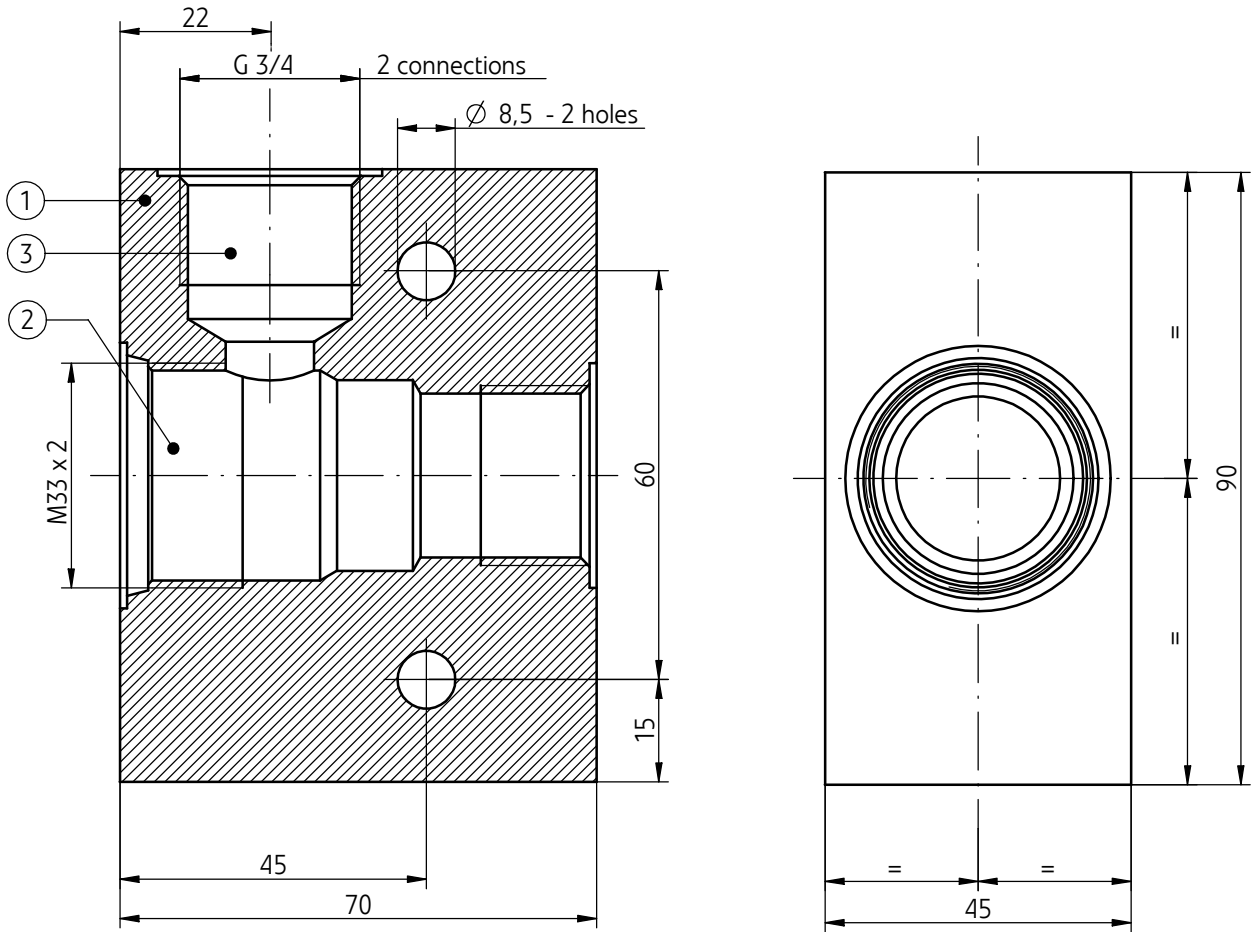
Plate type 2UL10/1 allows to mount into thread connections cartridge valves (pressure valve, directional control valve) **nominal size 10 (NS10)** by

means of the connection (2) of the element in the housing (1) and connections of pipelines (3).



OVERALL AND CONNECTION DIMENSIONS

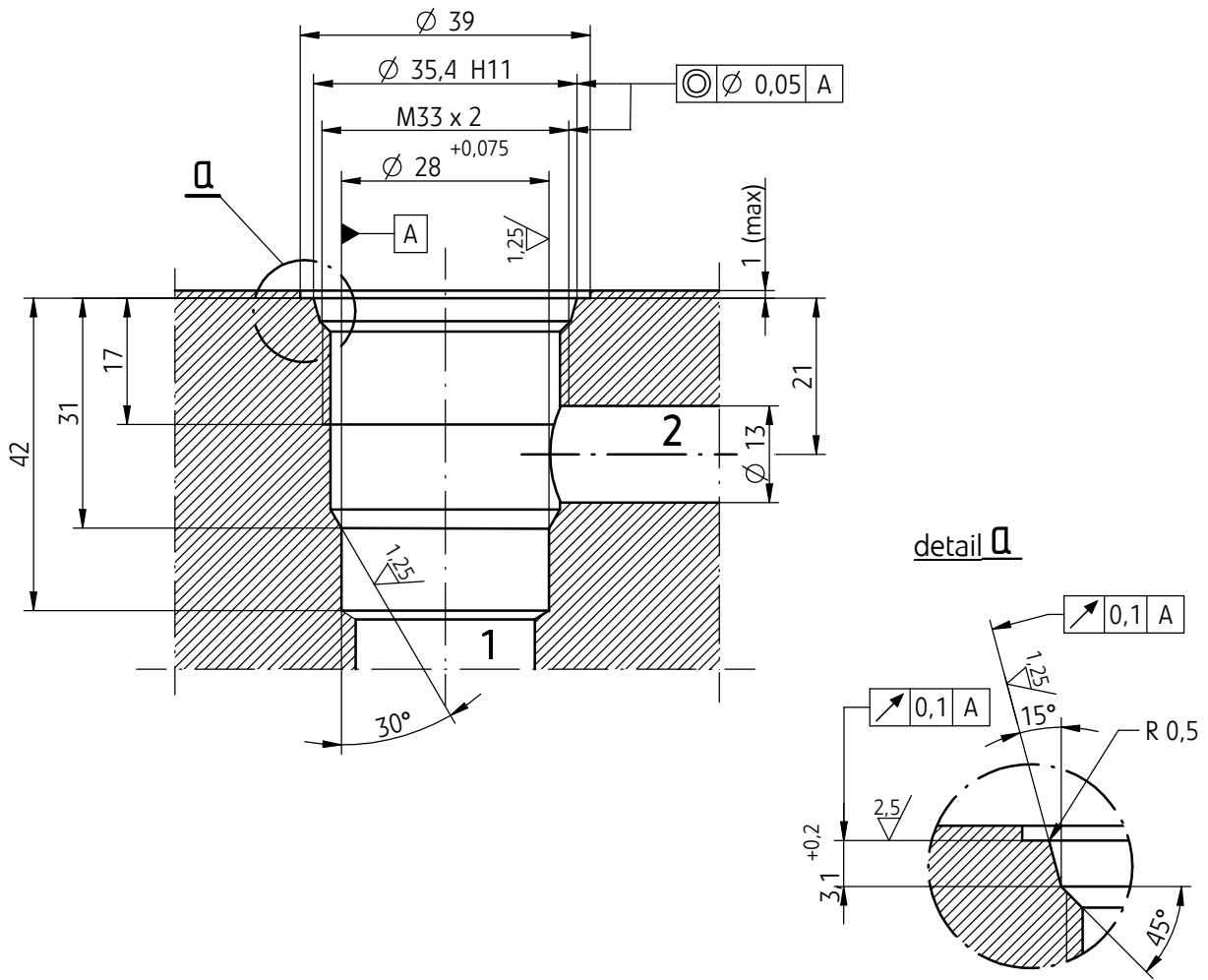
Plate type 2UL10/1 - G4



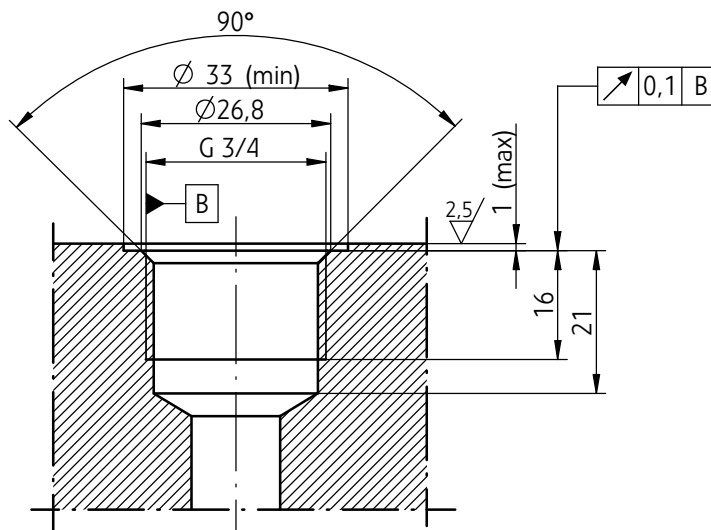
- 1 - Housing
- 2 - Connection of the element nominal size 10 (NS10)
(directional control valve or pressure valve)
- 3 - Connection of pipelines G 3/4 (G4)

OVERALL AND CONNECTION DIMENSIONS

Connection of the element nominal size 10 (NS10)



Connection of pipelines G3/4 (G4)



HOW TO ORDER

2	UL	10 /	1 -	G4	★
----------	-----------	-------------	------------	-----------	----------

Type of connection for hydraulic element
(valve or directional control valve NS 10)

2-way connection

= 2

Nominal size of plate

NS10

= 10

Configuration of thread connections of pipelines

Positioning of connections according to the drawing – see page 2 = 1

Type of connections of pipelines

Connection G3/4

= G4

Further requirements in clear text
(to be agreed with the manufacturer)

NOTES:

The plate should be ordered according to the above coding.

The symbols in bold are preferred versions in short delivery time.

Coding example: 2UL10/1 – G4

PONAR Wadowice S.A.
ul. Wojska Polskiego 29
34-100 Wadowice
tel. +48 33 488 29 00
fax.+48 33 488 21 03
www.ponar-wadowice.pl

