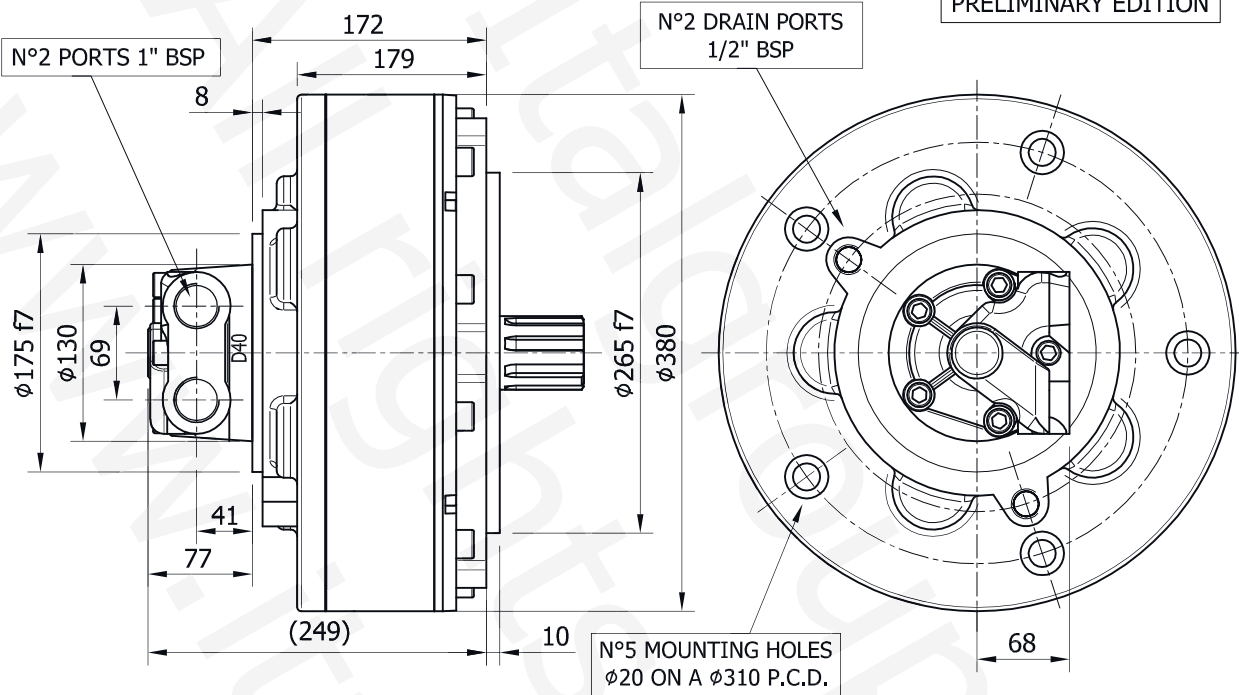


INSTALLATION DRAWING

PRELIMINARY EDITION



TECHNICAL DATA

		350	400	500	600	700	800	900	1000
DISPLACEMENT	[cc]	352	426	486	595	689	792	872	988
SPECIFIC TORQUE	[Nm/bar]	5.6	6.78	7.73	9.47	10.98	12.6	13.9	15.7
MAX. CONT. PRESSURE	[bar]	250	250	250	250	250	250	250	250
MAX. INT. PRESSURE	[bar]	320	320	320	320	320	320	320	320
PEAK PRESSURE	[bar]	350	350	350	350	350	350	350	350
MAX. CONT. SPEED	[rpm]	600	600	500	400	400	350	325	300
PEAK SPEED (**)	[rpm]	800	800	700	600	600	550	525	500
MAX. CONT. POWER (***)	[kW]	66	66	66	66	66	66	66	66
PEAK POWER (****)	[kW]	84	84	84	84	84	84	84	84
MAX. CASE PRESSURE	[bar]	6	6	6	6	6	6	6	6
DRY WEIGHT	[kg]	92	92	92	92	92	92	92	92
TEMPERATURE RANGE (*)	[°C]	-30÷70	-30÷70	-30÷70	-30÷70	-30÷70	-30÷70	-30÷70	-30÷70

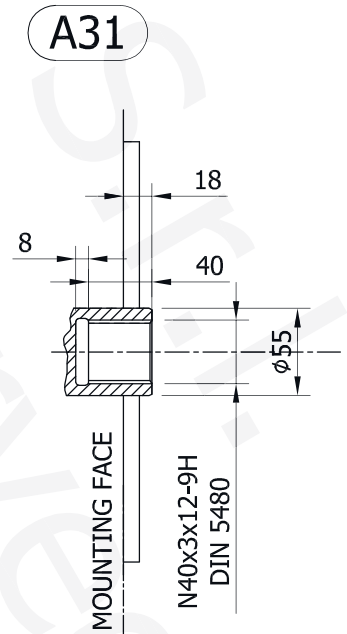
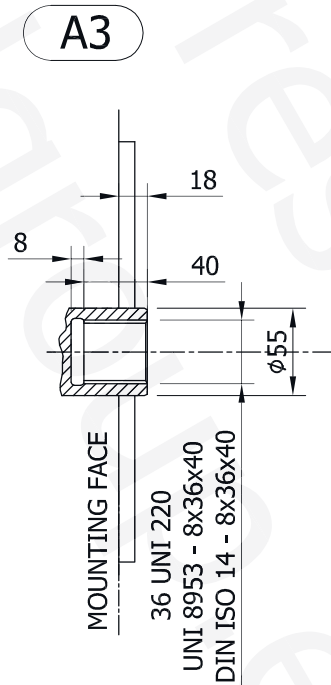
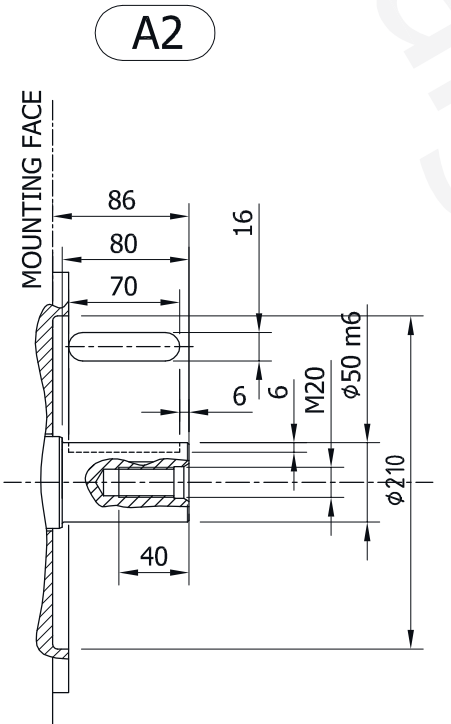
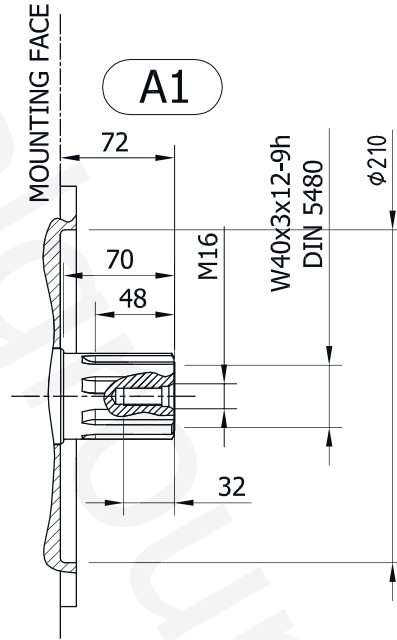
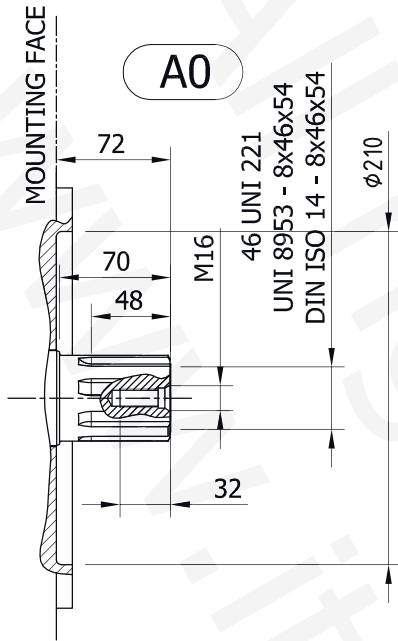
(\*) Please refer to the "Hydraulic fluid recommendations"

(\*\*) Do not exceed maximum power

(\*\*\*) For motor operation with a continuous duty cycle at maximum continuous power the motor flushing is required

(\*\*\*\*) For motor operation at peak power flushing is usually required. For more information please contact our technical department

SHAFT CONFIGURATIONS



SPLINE BILLETS

SB5

