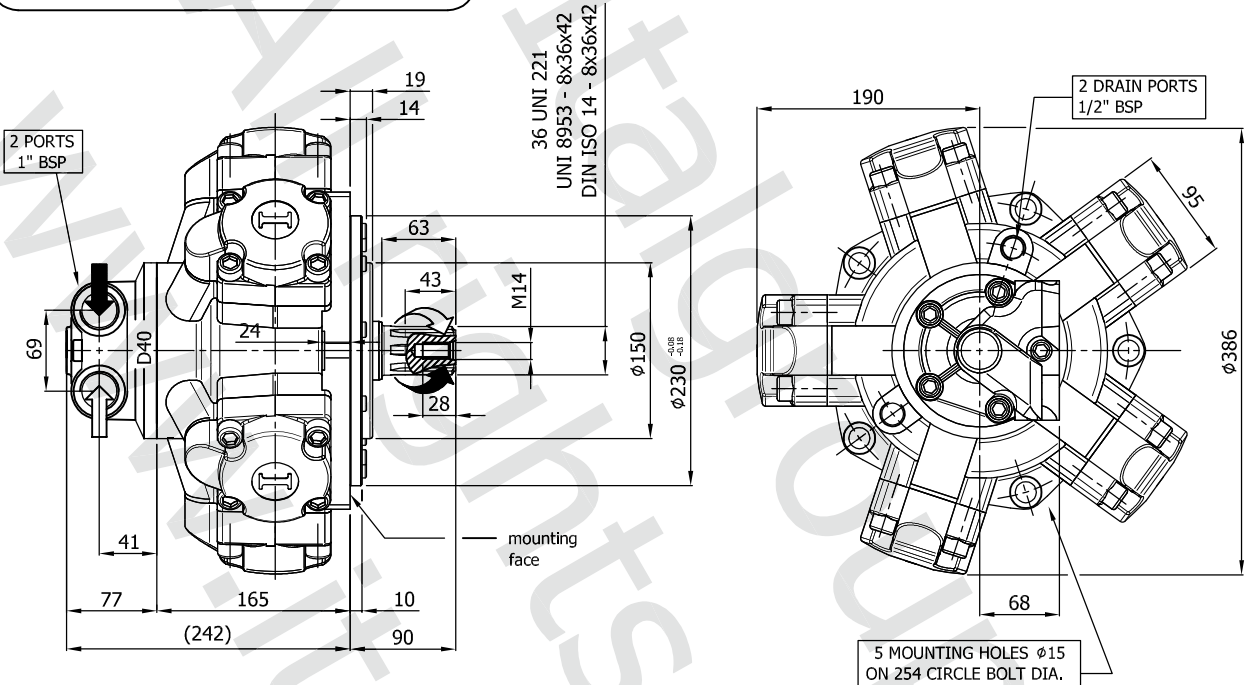


**INSTALLATION DRAWING**



**TECHNICAL DATA**

		400	450	500
DISPLACEMENT	[cc]	397	452	491
SPECIFIC TORQUE	[Nm/bar]	6.3	7.2	7.8
MAX. CONT. PRESSURE	[bar]	270	270	270
MAX. INT. PRESSURE	[bar]	320	320	320
PEAK PRESSURE	[bar]	350	350	350
MAX. CONT. SPEED	[rpm]	750	750	750
PEAK SPEED (**)	[rpm]	860	760	690
MAX. CONT. POWER (***)	[kW]	80	80	80
MAX. POWER (****)	[kW]	120	120	120
MAX. CASE PRESSURE	[bar]	6	6	6
MAX. BACK PRESSURE	[bar]	70	70	70
DRY WEIGHT	[kg]	68	68	68
TEMPERATURE RANGE (*)	[°C]	-30÷70	-30÷70	-30÷70

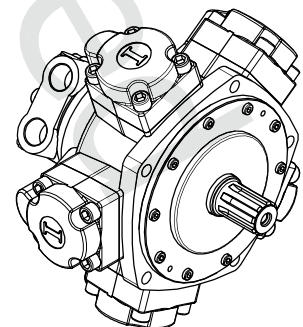
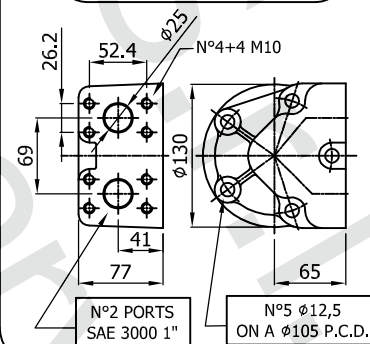
(\*) Please refer to the "Hydraulic fluid recommendations"

(\*\*) Do not exceed maximum power

(\*\*\*) At maximum continuous power the motor flushing is required

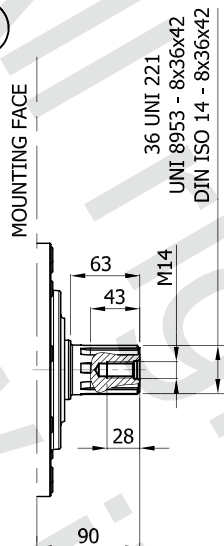
(\*\*\*\*) Permitted on a 15% duty cycle, for a maximum 5 min period

**OPTION: D47**



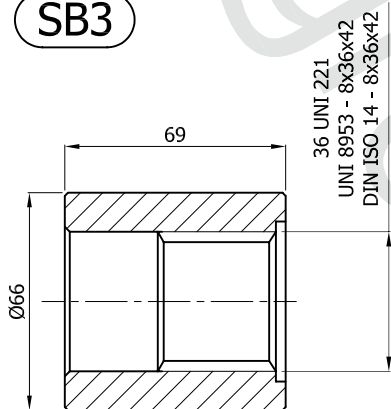
SHAFT CONFIGURATIONS

A0



SPLINE BILLETS

SB3



for IAMD H3 A0