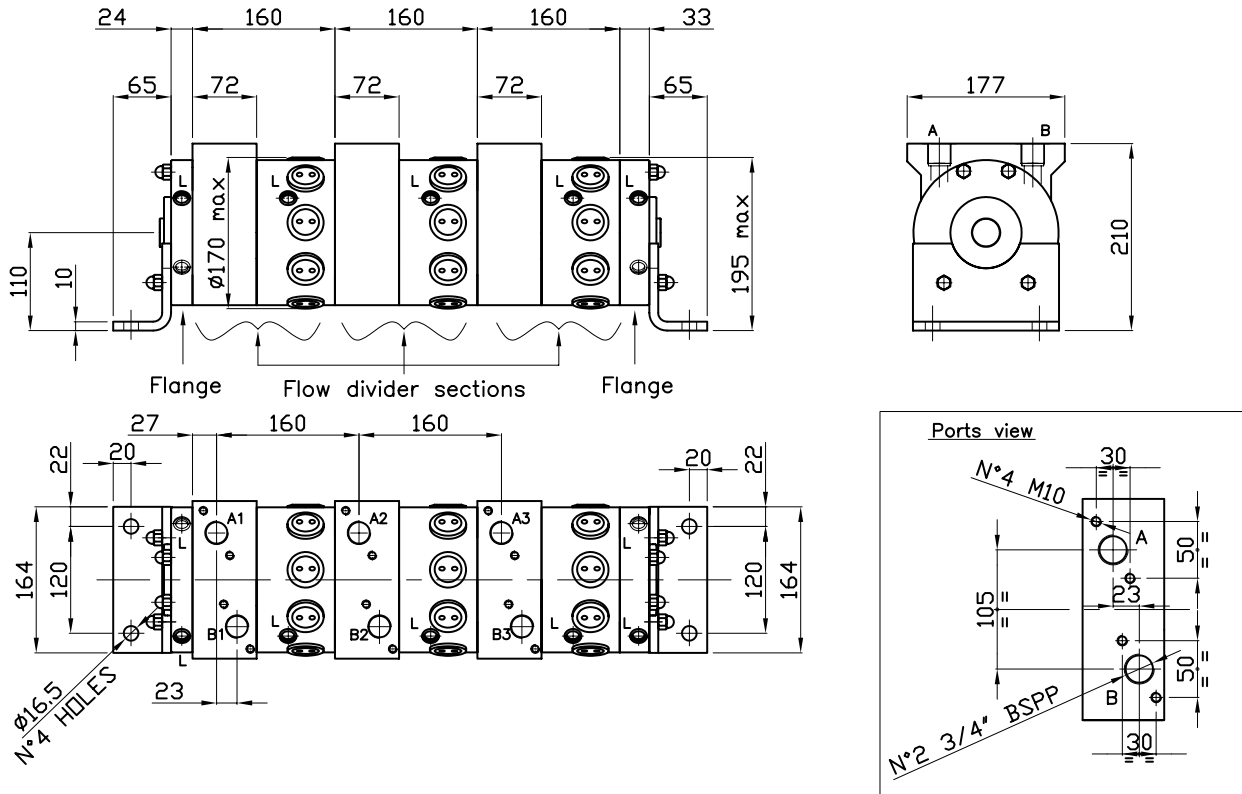


SIZE

FDM 34 D21



TECHNICAL DATA

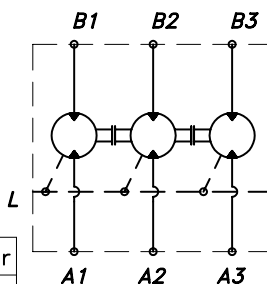
FDM 34 D21

MODEL	Flow per section		Displacement per section cc/Rev	Working pressure			Power per section kW
	l/min (cont)	l/min (max)		continuous bar	intermittent bar	maximum bar	
FDM34	45	60	34	250	280	320	15

HYDRAULIC SCHEME

PORTS DIMENSION	
A1,A2,...	3/4" BSPP
B1,B2,...	3/4" BSPP
L	1/4" BSPP

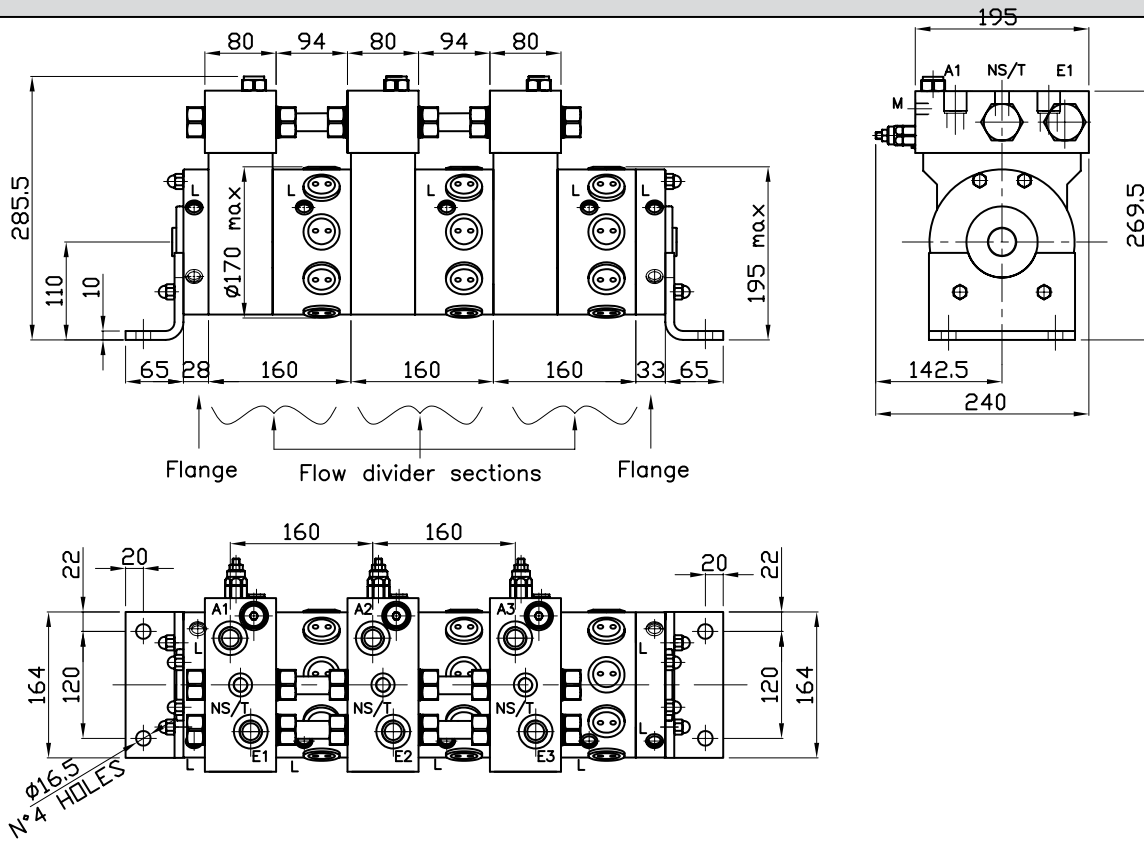
max case pressure	20 bar
dry weight per section	32 kg



The drain ports (L) are internally connected together. At least one of these drain ports must be connected to the tank. For continuous use, flushing is required.

SIZE

FDM 34 D21 VB



TECHNICAL DATA

FDM 34 D21 VB

MODEL	Flow per section		Displacement per section cc/Rev	Working pressure			Power per section kW
	l/min (cont)	l/min (max)		continuous bar	intermittent bar	maximum bar	
FDM34	45	60	34	250	280	320	15

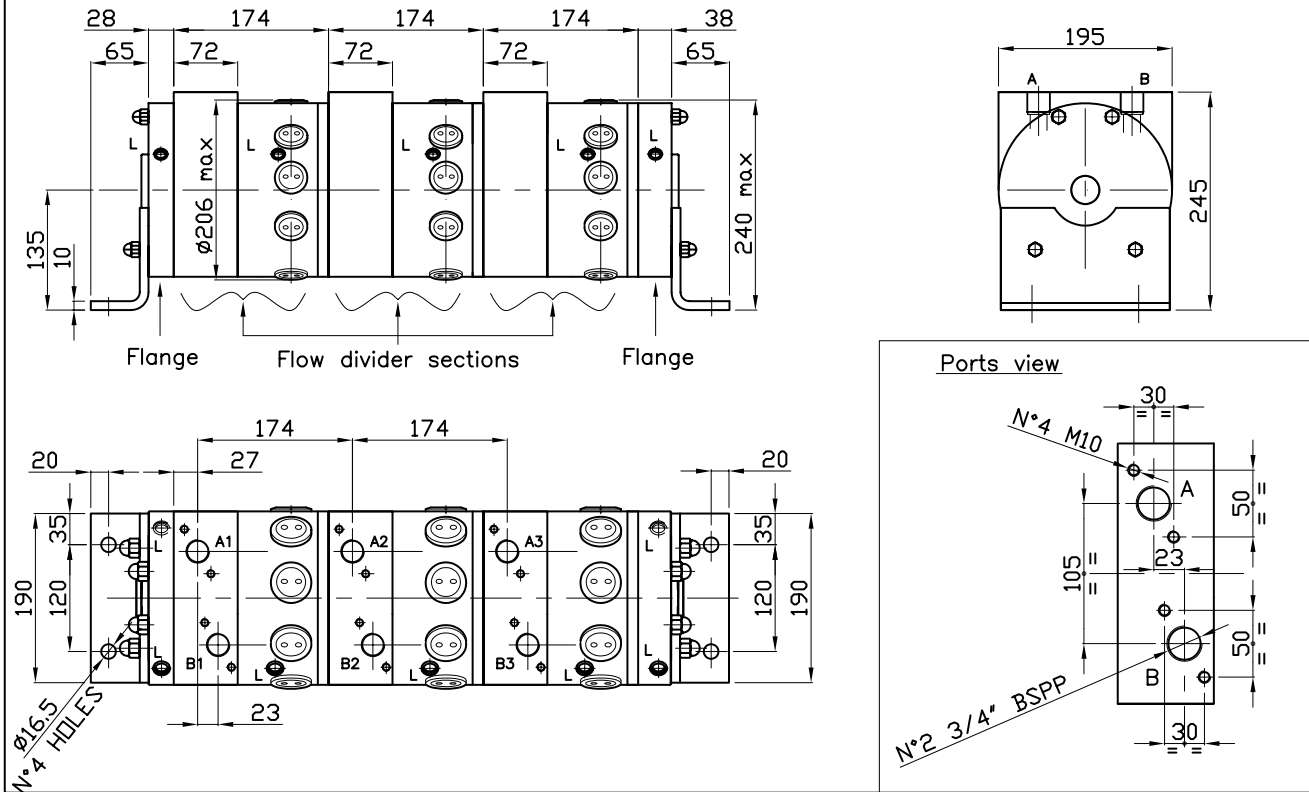
PORTS DIMENSION	
A1,A2,...	3/4" BSPP
E1,E2,...	1" BSPP
M1,M2,...	1/4" BSPP
L	1/4" BSPP
NS/T	3/8" BSPP

max case pressure	20 bar
dry weight per section	35 kg

Refer to page 29 for valve technical data, valve dimensions and hydraulic circuit.

SIZE

FDM 50-75-100 D21



TECHNICAL DATA

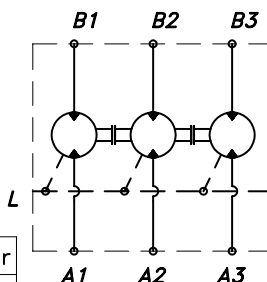
FDM 50-75-100 D21

MODEL	Flow per section		Displacement per section cc/Rev	Working pressure			Power per section kW
	l/min (cont)	l/min (max)		continuous bar	intermittent bar	maximum bar	
FDM50	60	80	51	250	280	320	20
FDM75	90	120	76	250	280	320	35
FDM100	125	160	102	250	280	320	40

HYDRAULIC SCHEME

PORTS DIMENSION	
A1,A2,...	3/4" BSPP
B1,B2,...	3/4" BSPP
L	3/8" BSPP

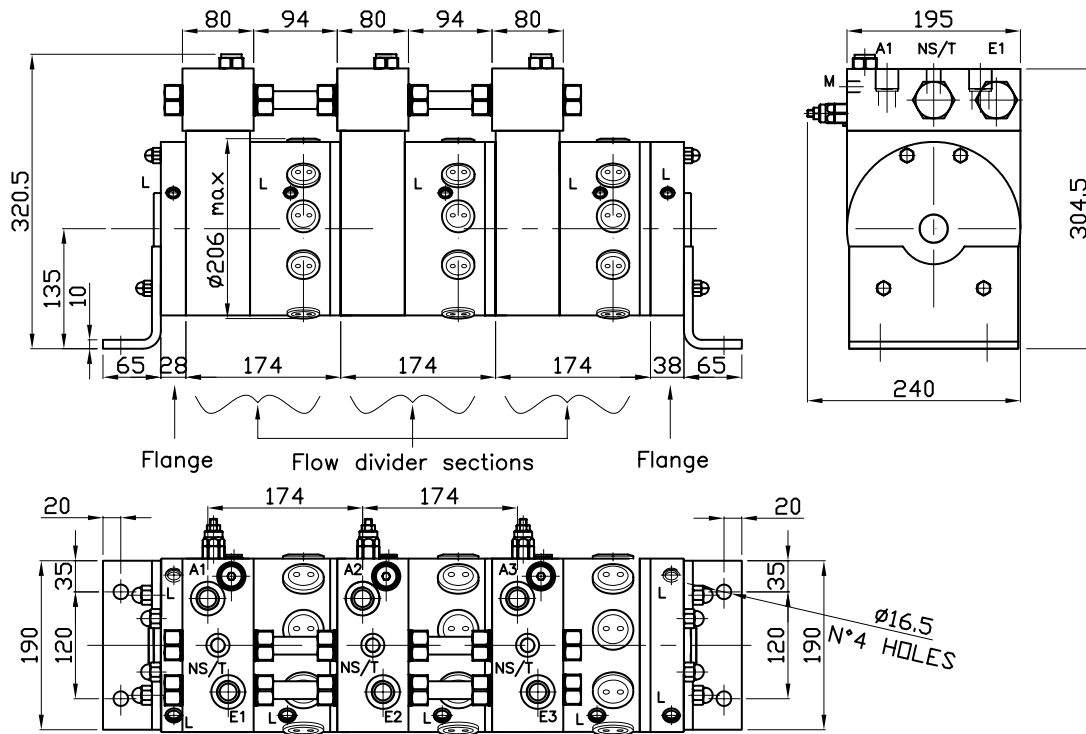
max case pressure	20 bar
dry weight per section	42 kg



The drain ports (L) are internally connected together. At least one of these drain ports must be connected to the tank. For continuous use, flushing is required.

SIZE

FDM 50-75-100 D21 VB



TECHNICAL DATA

FDM 50-75-100 D21 VB

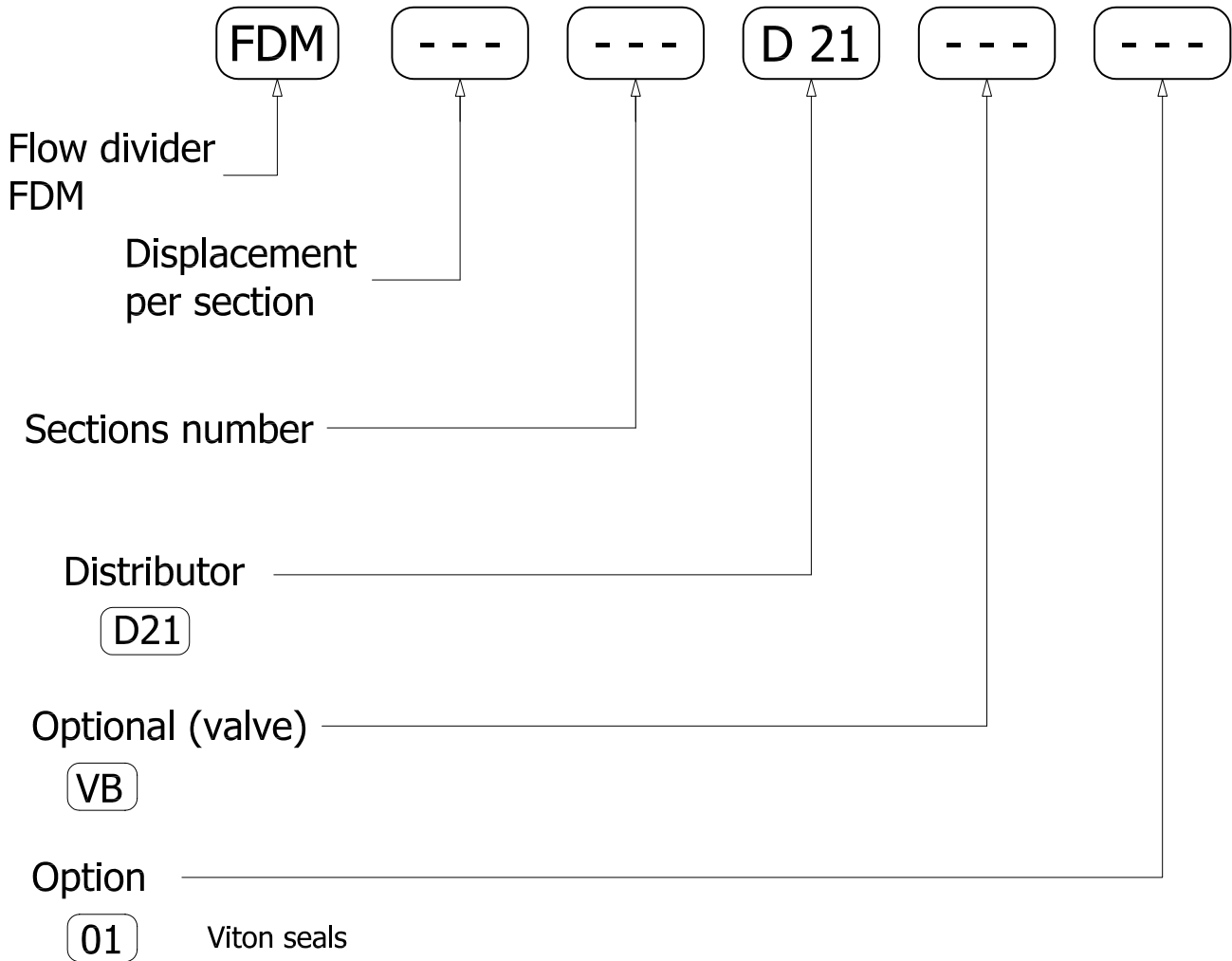
MODEL	Flow per section		Displacement per section cc/Rev	Working pressure			Power per section kW
	l/min (cont)	l/min (max)		continuous bar	intermittent bar	maximum bar	
FDM50	60	80	51	250	280	320	20
FDM75	90	120	76	250	280	320	35
FDM100	125	160	102	250	280	320	40

PORTS DIMENSION	
A1,A2,...	3/4" BSPP
E1,E2,...	1" BSPP
M1,M2,...	1/4" BSPP
L	3/8" BSPP
NS/T	3/8" BSPP

max case pressure	20 bar
dry weight per section	45 kg

Refer to page 29 for valve technical data, valve dimensions and hydraulic circuit.

FDM SERIES - ORDERING INSTRUCTIONS



EXAMPLE: FDM.50-4.D21.VB
 FDM.75-3.D21
 FDM.100-4.D21
 FDM.100-4.D21.01