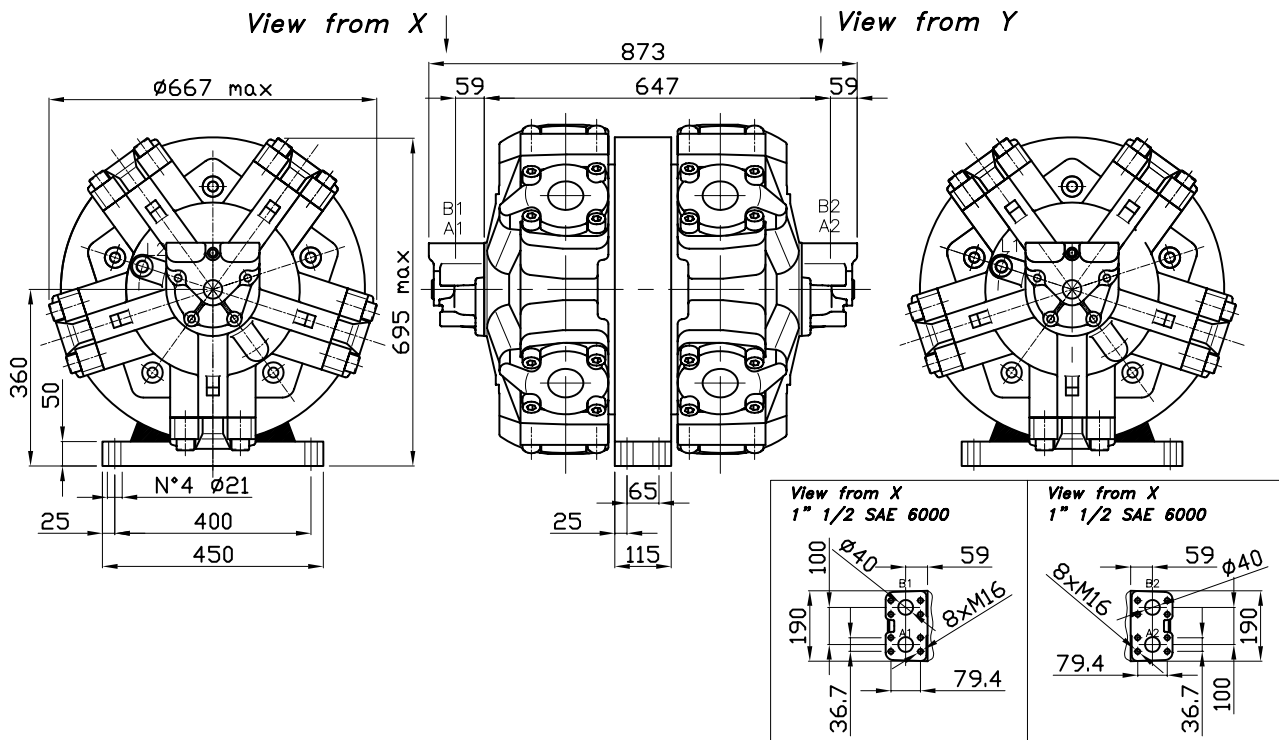


SIZE

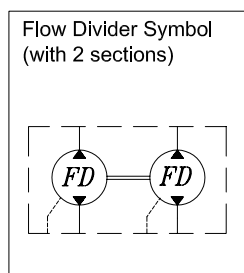
FD 6 2500-3000-3200-3500 D90



TECHNICAL DATA

FD 6 2500-3000-3200-3500 D90

MODEL	Flow per section		Displacement per section cc/Rev	Working pressure			Power per section kW
	l/min (cont)	l/min (max)		continuous bar	intermittent bar	maximum bar	
FD 6 2500	390	460	2525	250	280	300	118
FD 6 3000	440	525	2983	250	280	300	132
FD 6 3200	460	550	3289	250	280	300	138
FD 6 3500	490	590	3479	250	280	300	147



PORTS DIMENSION
L1/L2 3/4" BSP

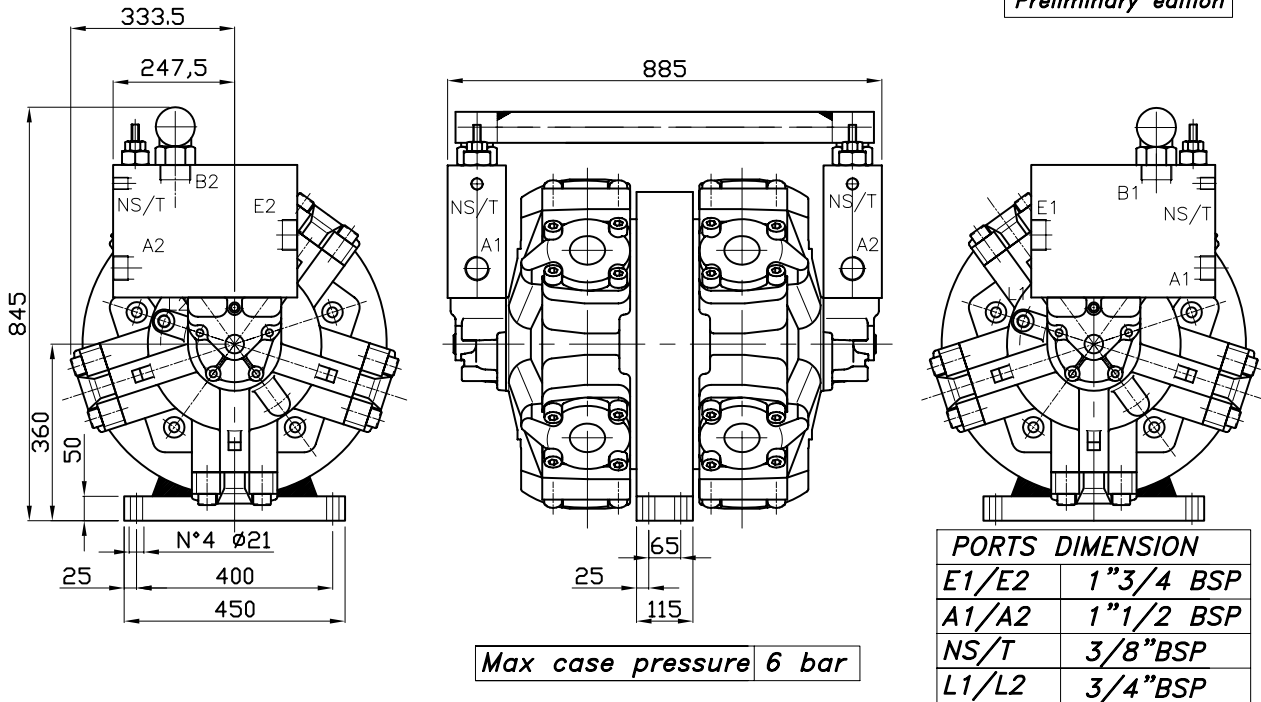
Dry weight 900 kg

Max case pressure 20 bar

SIZE

FD 6 2500-3000-3200-3500 D90 VB

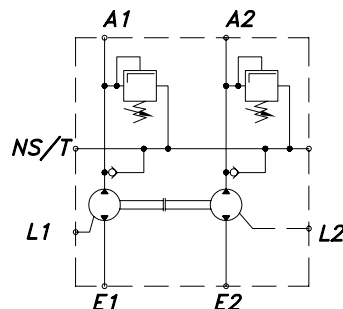
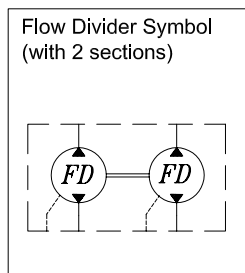
Preliminary edition



TECHNICAL DATA

FD 6 2500-3000-3200-3500 D90 VB

MODEL	Flow per section		Displacement per section cc/Rev	Working pressure			Power per section kW
	l/min (cont)	l/min (max)		continuous bar	intermittent bar	maximum bar	
FD 6 2500	390	460	2525	250	280	300	118
FD 6 3000	440	525	2983	250	280	300	132
FD 6 3200	460	550	3289	250	280	300	138
FD 6 3500	490	590	3479	250	280	300	147



RELIEF VALVE DATA	
Rated flow	40 l/min
Adjustable pressure range	5-50 bar
	30-100 bar
	50-220 bar
	80-350 bar

Dry weight 900 kg

Max case pressure 20 bar