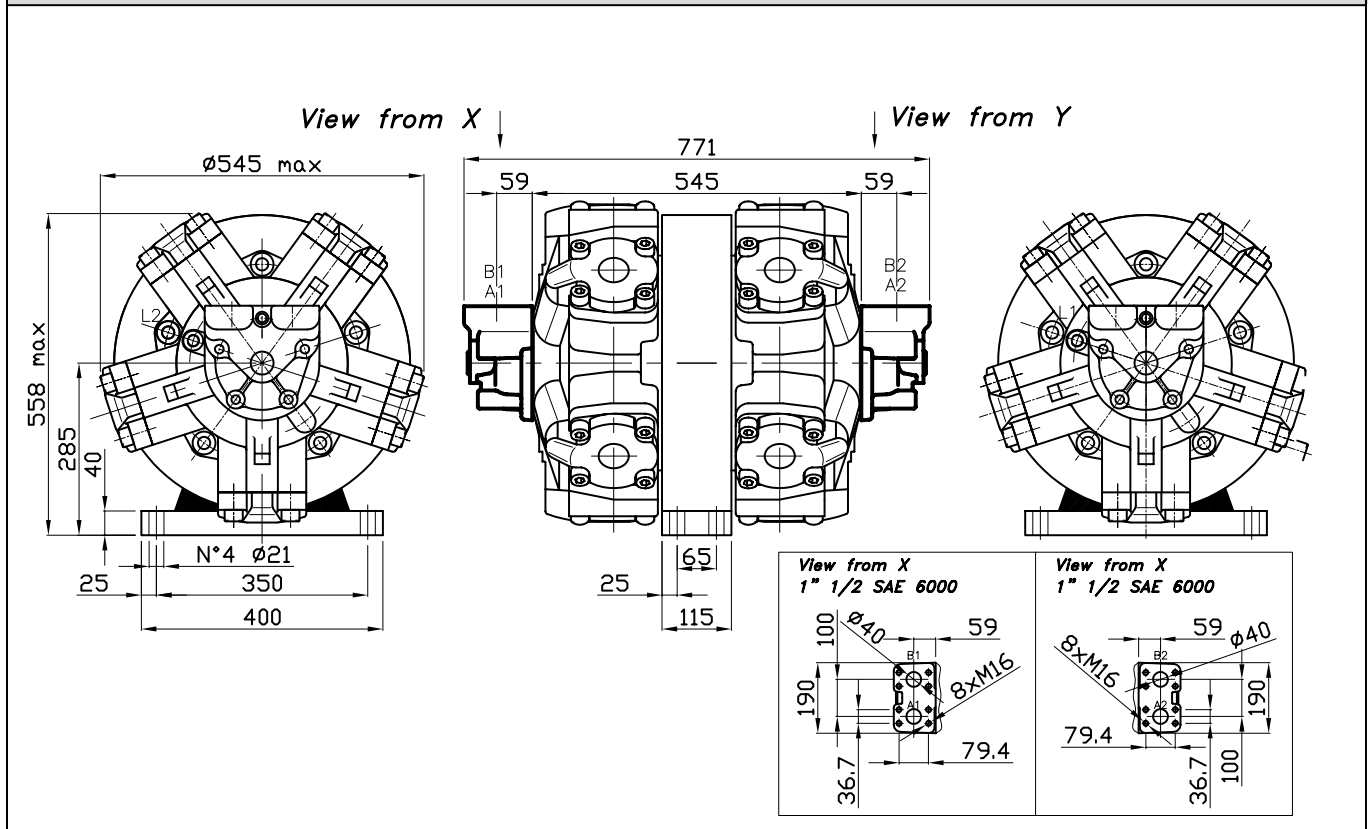


SIZE

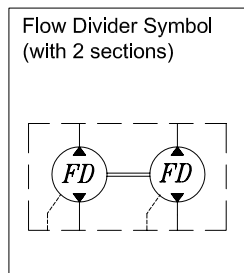
FD 5 1400-1500-1600 D90



TECHNICAL DATA

FD 5 1400-1500-1600 D90

MODEL	Flow per section		Displacement per section cc/Rev	Working pressure			Power per section kW
	l/min (cont)	l/min (max)		continuous bar	intermittent bar	maximum bar	
FD 5 1400	290	340	1376	250	280	300	87
FD 5 1500	320	375	1528	250	280	300	96
FD 5 1600	350	400	1648	250	280	300	105



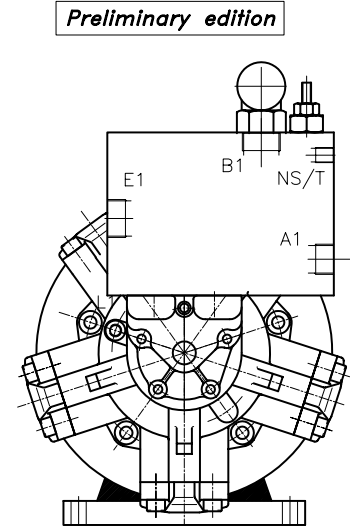
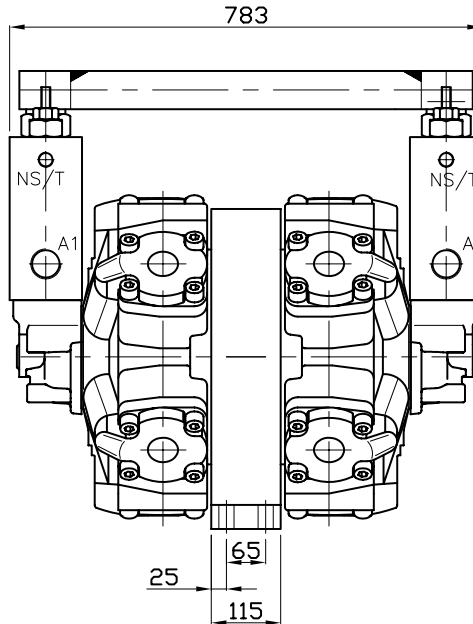
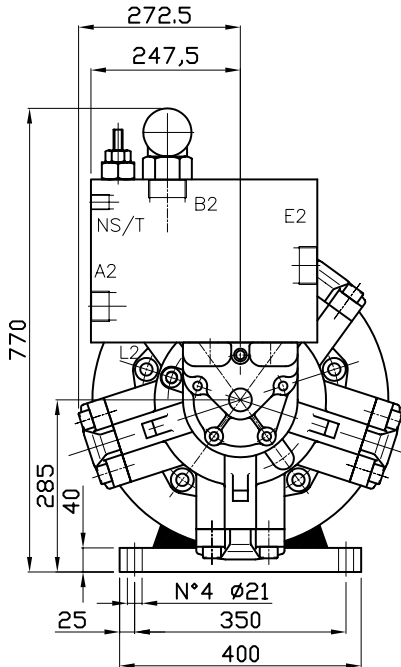
PORTS DIMENSION	
L1/L2	1/2" BSP

Dry weight 460 kg

Max case pressure 20 bar

SIZE

FD 5 1400-1500-1600 D90 VB



PORTS DIMENSION	
E1/E2	1"3/4 BSP
A1/A2	1"1/2 BSP
NS/T	3/8" BSP
L1/L2	1/2" BSP

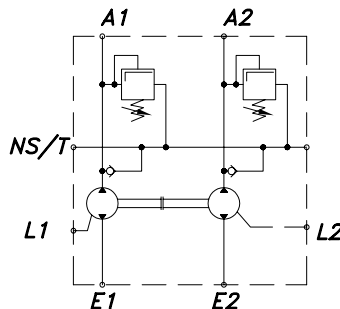
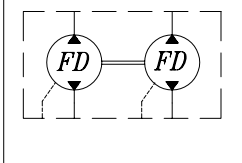
Max case pressure 6 bar

TECHNICAL DATA

FD 5 1400-1500-1600 D90 VB

MODEL	Flow per section		Displacement per section cc/Rev	Working pressure			Power per section kW
	l/min (cont)	l/min (max)		continuous bar	intermittent bar	maximum bar	
FD 5 1400	290	340	1376	250	280	300	87
FD 5 1500	320	375	1528	250	280	300	96
FD 5 1600	350	400	1648	250	280	300	105

Flow Divider Symbol
(with 2 sections)



RELIEF VALVE DATA

Rated flow	40 l/min
Adjustable pressure range	5-50 bar 30-100 bar 50-220 bar 80-350 bar

Dry weight 460 kg

Max case pressure 20 bar