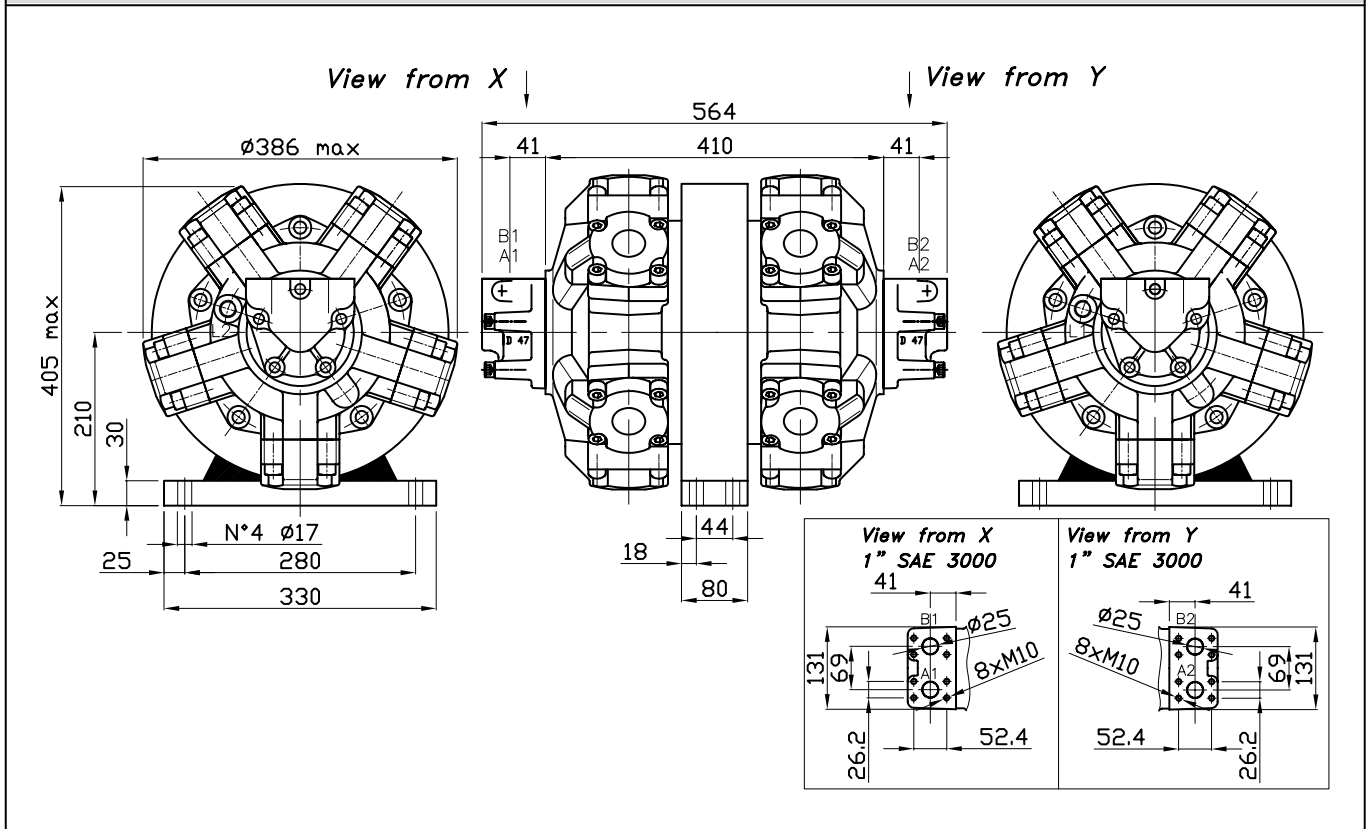


SIZE

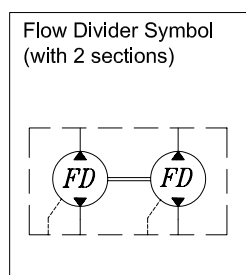
FD 3 400-450-500 D47



TECHNICAL DATA

FD 3 400-450-500 D47

MODEL	Flow per section		Displacement per section cc/Rev	Working pressure			Power per section kW
	l/min (cont)	l/min (max)		continuous bar	intermittent bar	maximum bar	
FD 3 400	170	190	397	250	280	350	60
FD 3 450	190	215	452	250	280	350	67
FD 3 500	210	230	491	250	280	350	74
FD 3 600	230	260	594	250	280	350	80



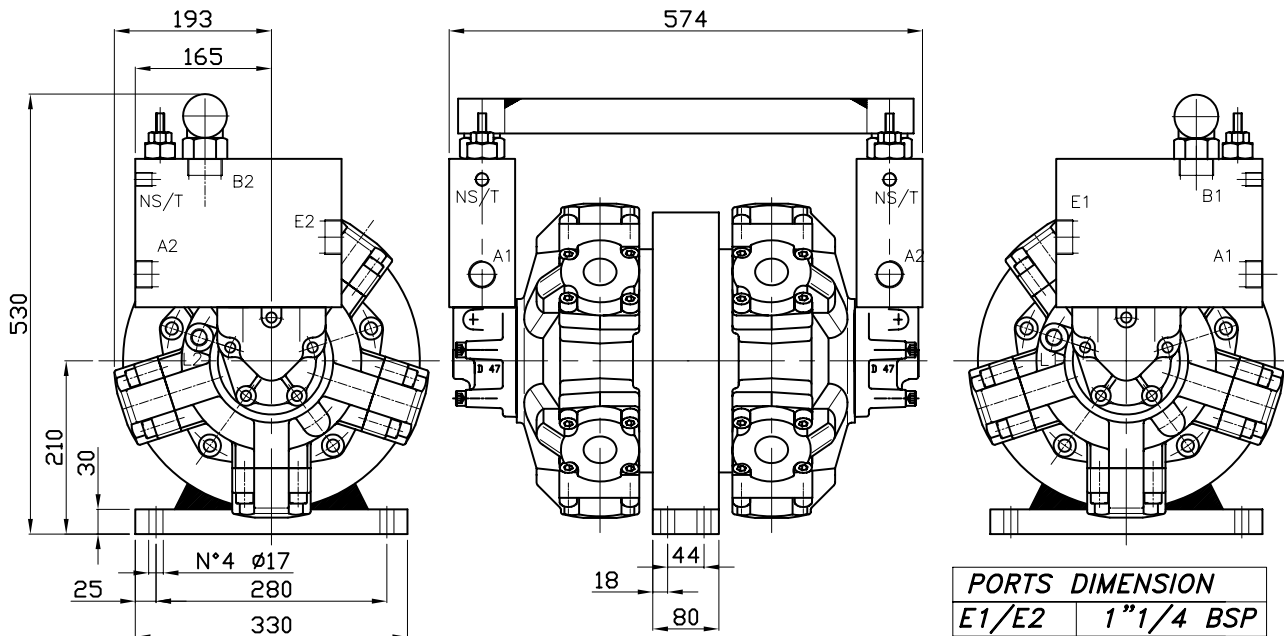
PORTS DIMENSION	
L1/L2	1/2" BSP

Dry weight 180 kg

Max case pressure 20 bar

SIZE

FD 3 400-450-500 D47 VB

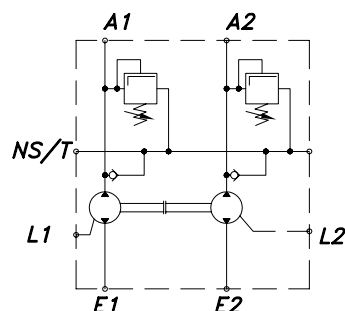
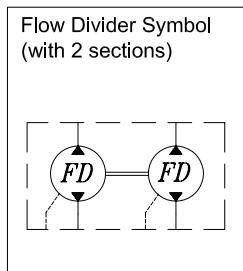


PORTS DIMENSION	
E1/E2	1"1/4" BSP
A1/A2	1" BSP
NS/T	3/8" BSP
L1/L2	1/2" BSP

TECHNICAL DATA

FD 3 400-450-500 D47 VB

MODEL	Flow per section		Displacement per section cc/Rev	Working pressure			Power per section kW
	l/min (cont)	l/min (max)		continuous bar	intermittent bar	maximum bar	
FD 3 400	170	190	397	250	280	350	60
FD 3 450	190	215	452	250	280	350	67
FD 3 500	210	230	491	250	280	350	74
FD 3 600	230	260	594	250	280	350	80



RELIEF VALVE DATA	
Rated flow	40 l/min
Adjustable pressure range	5-50 bar
	30-100 bar
	50-220 bar
	80-350 bar

Dry weight 180 kg

Max case pressure 20 bar