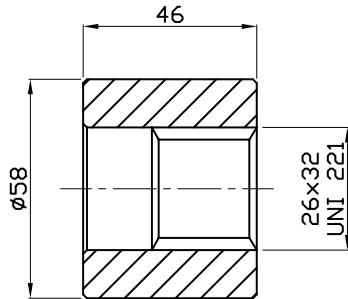


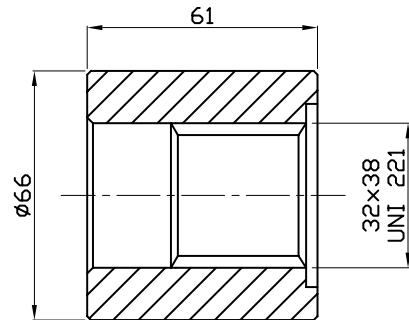
# SPLINE BILLET

## SB1



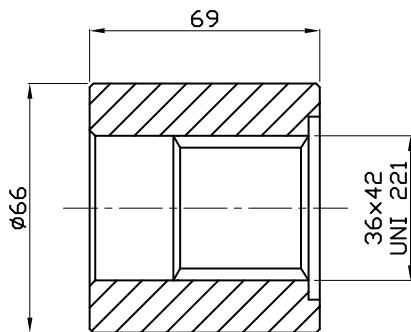
only for:  
IAM 80, 100, 150,175,195 H1 A0  
IAM 80, 100, 150,175,195 H1 A1

## SB2



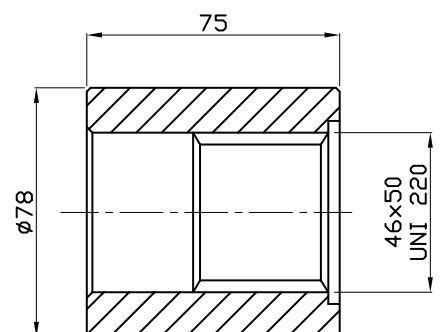
only for:  
IAM 200,250,300 H1 A0  
IAM 200,250,300,350 H2 A0  
IAM 190/C H2 A0

## SB3



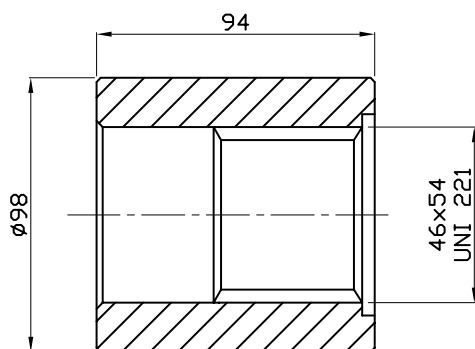
only for:  
IAM 400,500,600 H2 A0  
IAM 400,450,500,600,650,700 H3 A0

## SB4



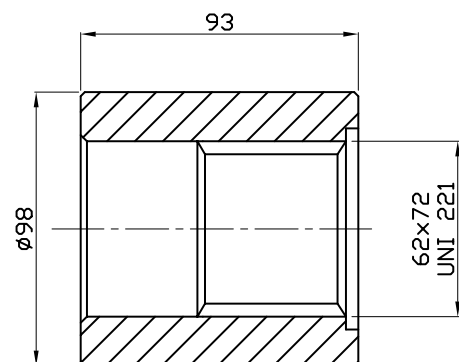
only for:  
IAM 800 H3 A0  
IAM 800/N H3 A0  
IAM H4 A0

## SB5



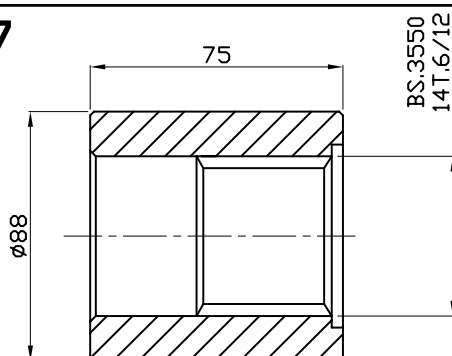
only for:  
IAM 450/C H3 A1  
IAM H4 A1

## SB6



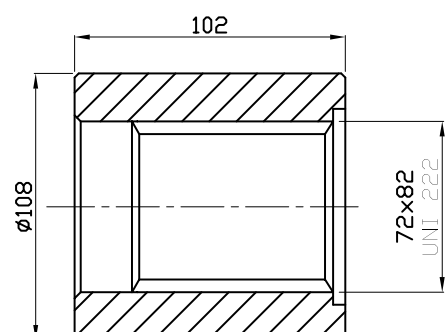
only for:  
IAM H5 A0  
IAM 1200/C,1400/C,1500/C H5 A0

## SB7



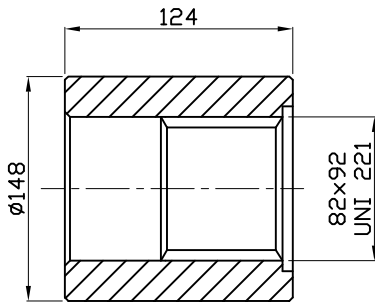
only for:  
IAM H5 A1  
IAM 1000/B60,1400/B80,1600/B100 H5 A1

## SB8



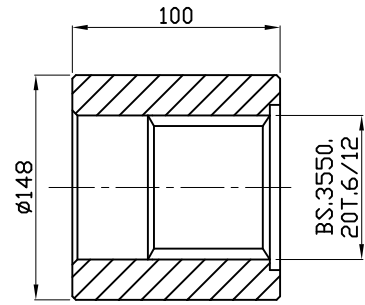
only for:  
IAM 1600/C,1800/C,2000/C,2200/C H5 A0

## SB9



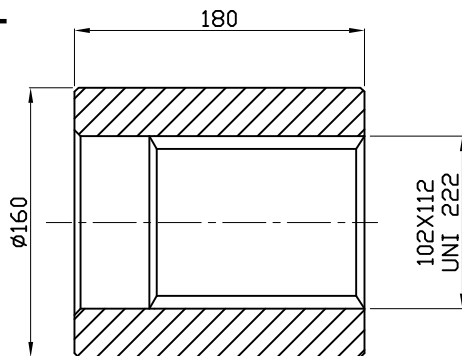
only for:  
IAM H6 A0  
IAM H6/C A0  
IAM 2200/B125,2500/B150,3000/B200 H6 A0

## SB10



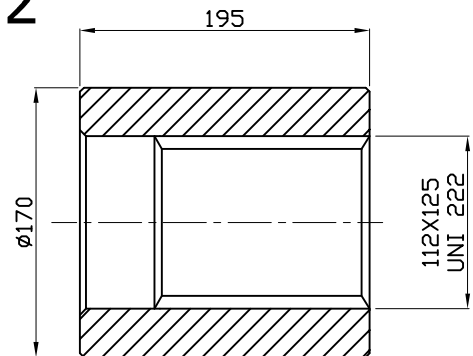
only for:  
IAM H6 A1  
IAM H6/C A1  
IAM 2200/B125,2500/B150,3000/B200 H6 A1  
IAM H7 A1  
IAM H8 A1

## SB11



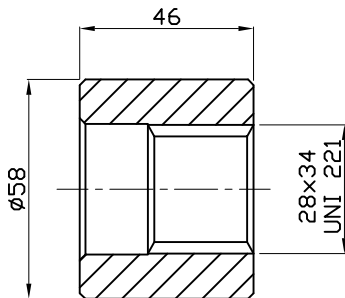
only for:  
IAM H7/C A0

## SB12



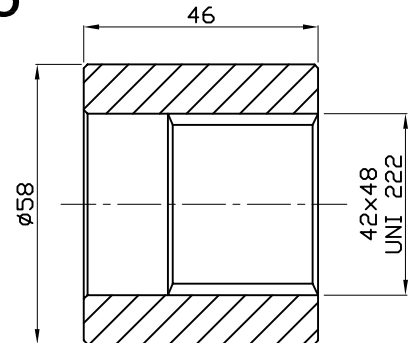
only for:  
IAM H8/C A0

## SB14



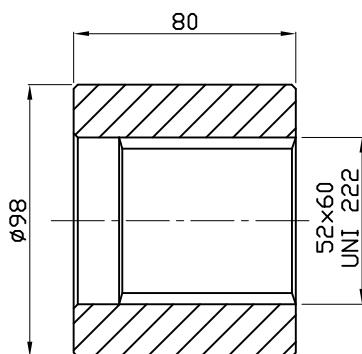
only for:  
IAM H1/GM1  
IAM H1/BH

## SB15



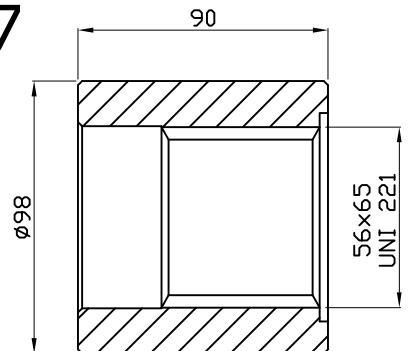
only for:  
IAM 300/C H2 A0

## SB16



only for:  
IAM 700/C,800/C H4 A0

## SB17



only for:  
IAM H5/GM5 A0  
IAM H5/S A0