

---

# ***ITALGROUP-ADVANCED-MOTORS***

---

## ***IAM SERIES***

---

### ***H55 MODEL***

---

***IAM 2200-2500-2800 H55***

***IAM 2500-2800-3000/C H55***

---

#### ***INDEX***

---

TECHNICAL DATA - - - - -	<i>Pag.</i>	82
IAM H55 2200-2500-2800 - - - - -	"	83
IAM H55 2500-2800-3000/C- - - - -	"	84
ORDERING INSTRUCTIONS - - - - -	"	85
GRAPHIC PERFORMANCES H55 2200-2500-2800-3000 - - - - -	"	86

# TECHNICAL DATA *H55*

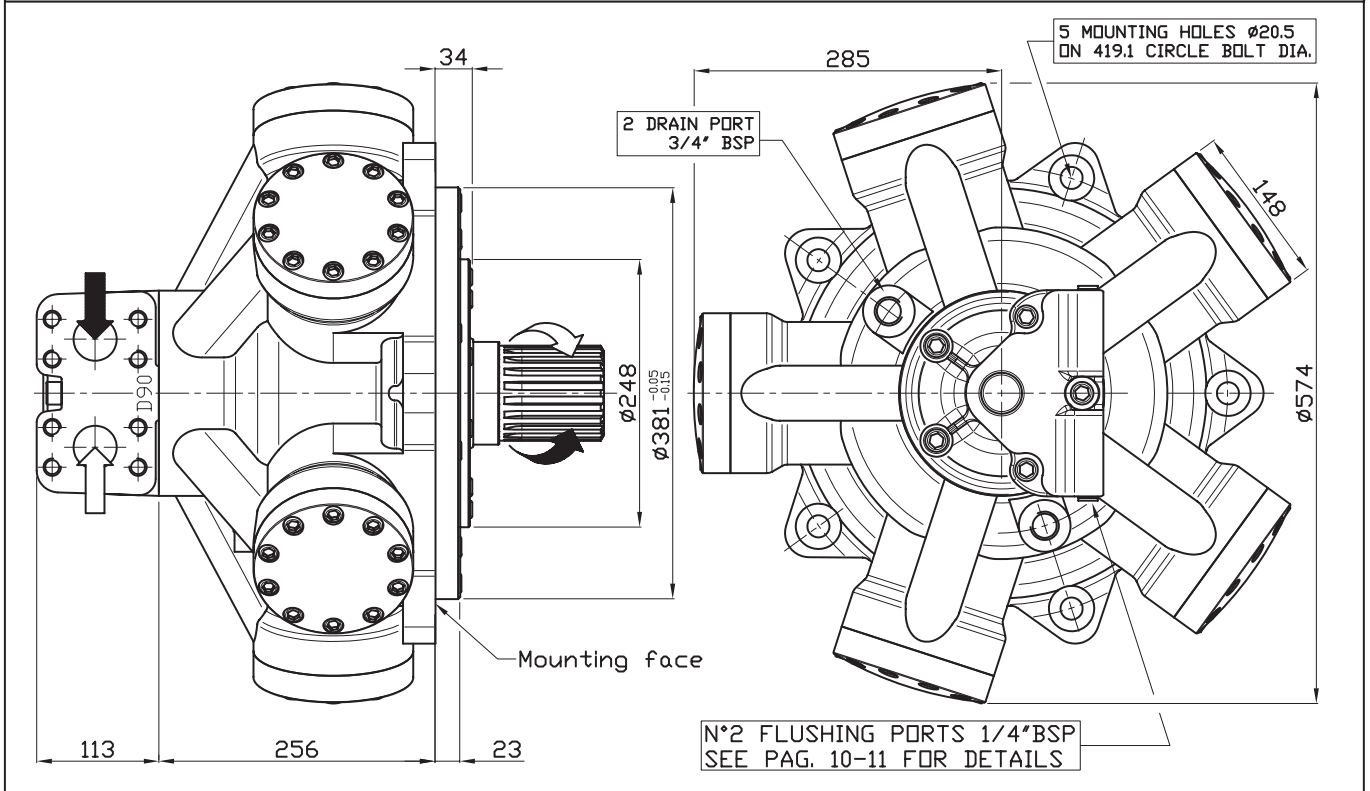
MODEL		IAM 2200 H55	IAM 2500 H55	IAM 2800 H55	IAM 3000 H55
Displacement	cc/rev	2126	2525	2807	3028
Specific Torque	Nm/bar	33.8	40.2	44.7	48.2
Max cont. Pressure	bar	250	250	250	250
Max int. Pressure	bar	300	300	300	300
Peak pressure	bar	350	350	350	350
Max continuous speed	rpm	240	240	240	230
Peak speed	rpm	280	280	280	270
Max continuous power	HP	163	163	163	163
	kW	120	120	120	120
Max power	HP	228	228	228	228
	kW	170	170	170	170

- N° of pistons: 5
- Max case pressure: 6 bar
- Max back pressure: 70 bar
- Dry weight: 203 kg
- Temperature range: -30°C ÷ +70°C
- Minimum speed: 0.5 rpm
- Flushing flow: 15 l/min

(\* )for further details regarding flushing go to page 10 of this catalogue.

## SIZE

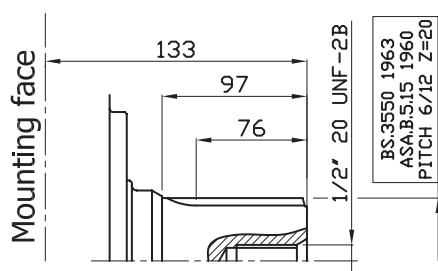
### IAM H55 2200-2500-2800



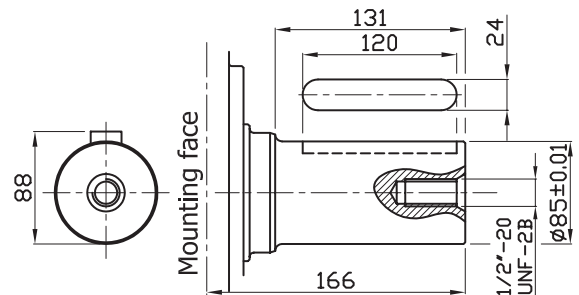
## SHAFT

### IAM H55 2200-2500-2800

A1: Standard splined shaft

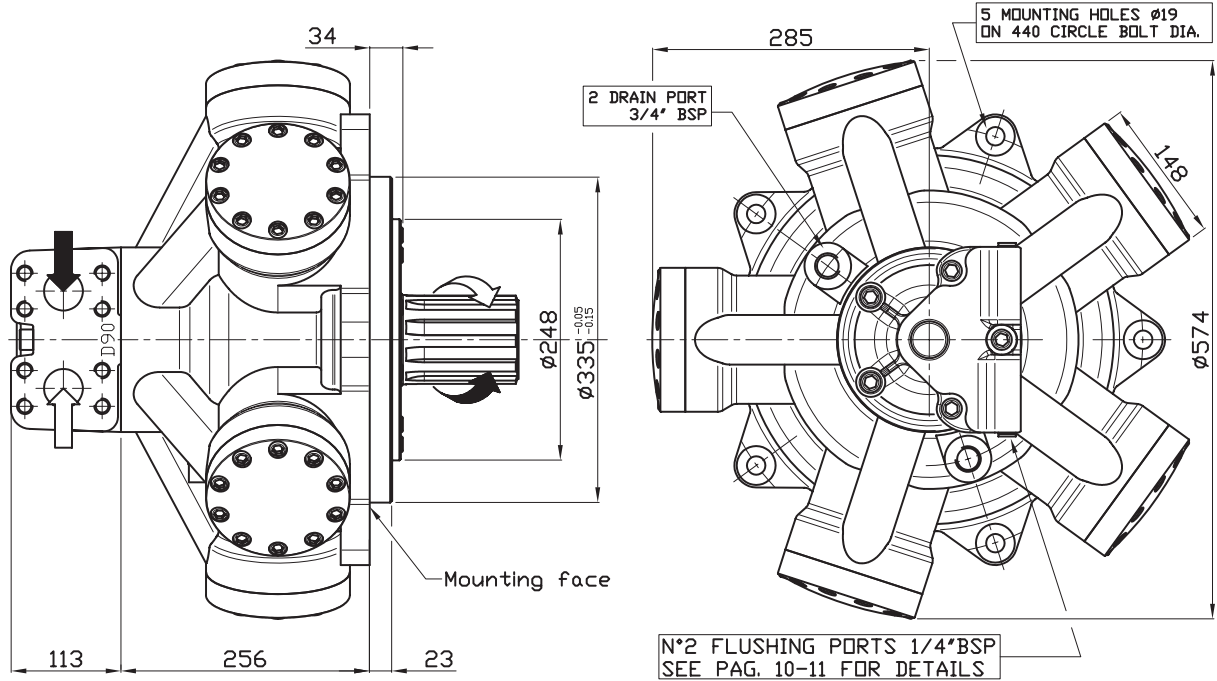


A2: Parallel shaft on request



## SIZE

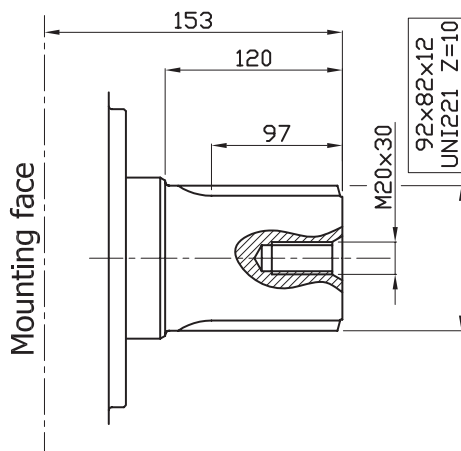
### IAM H55 2500/C-2800/C-3000/C



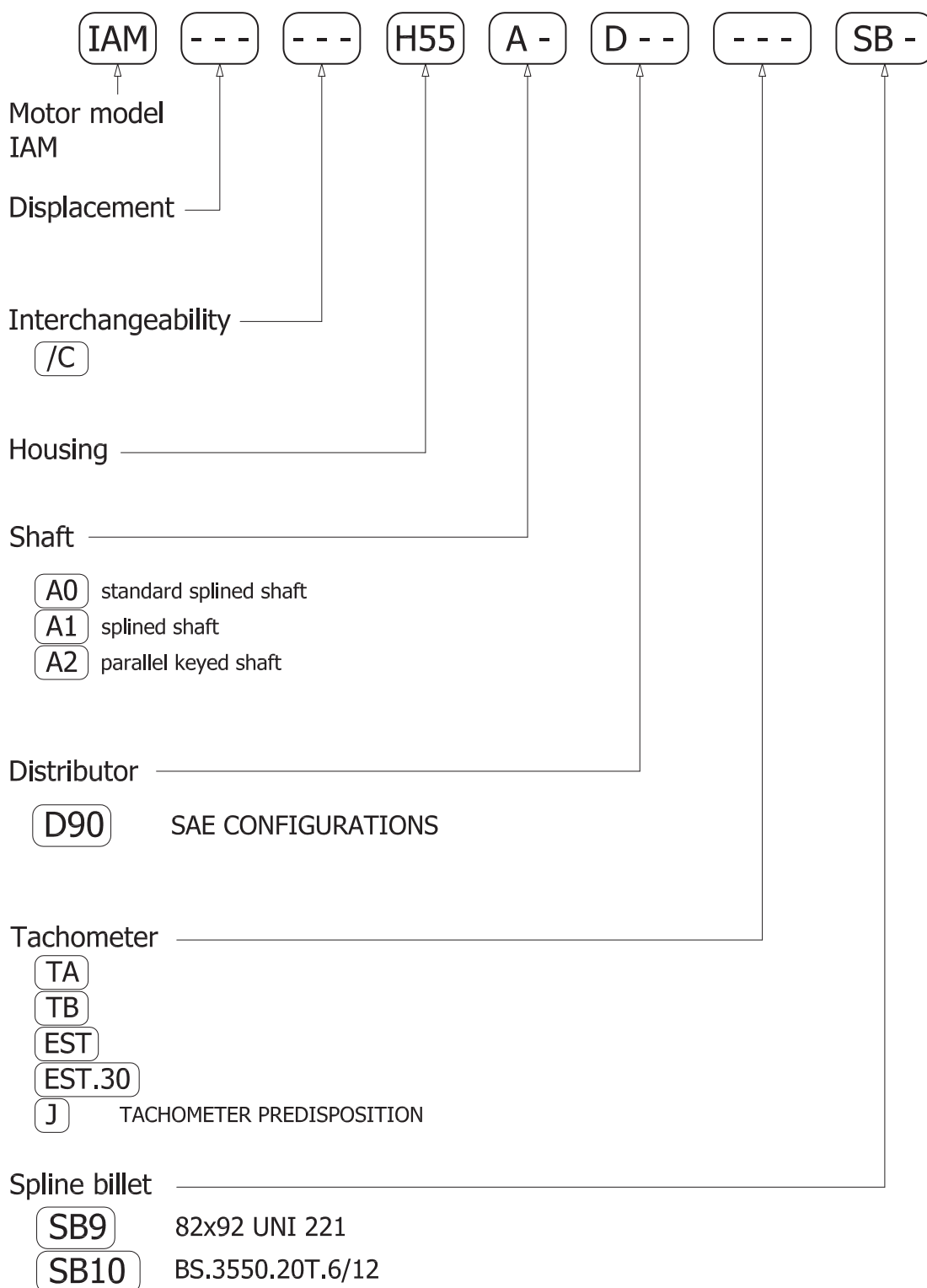
## SHAFT

### IAM H55 2500/C-2800/C-3000/C

A0: Standard splined shaft

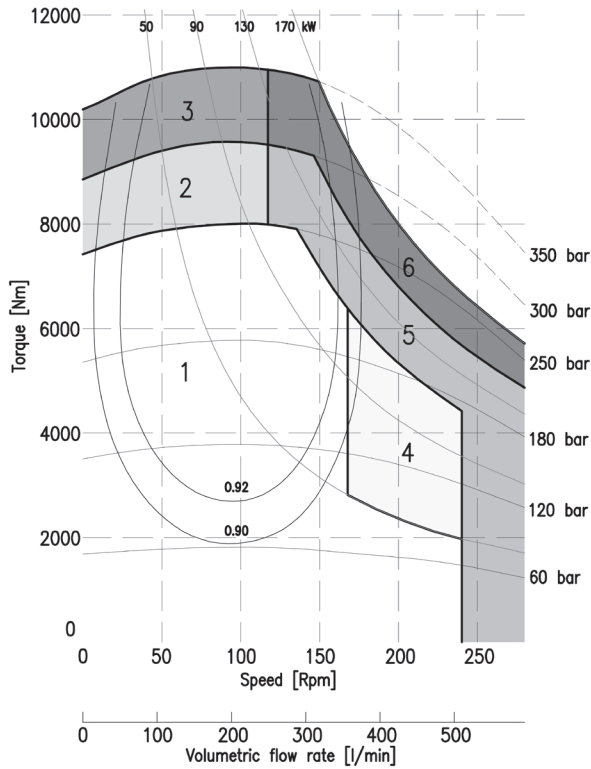


# ORDERING INSTRUCTIONS

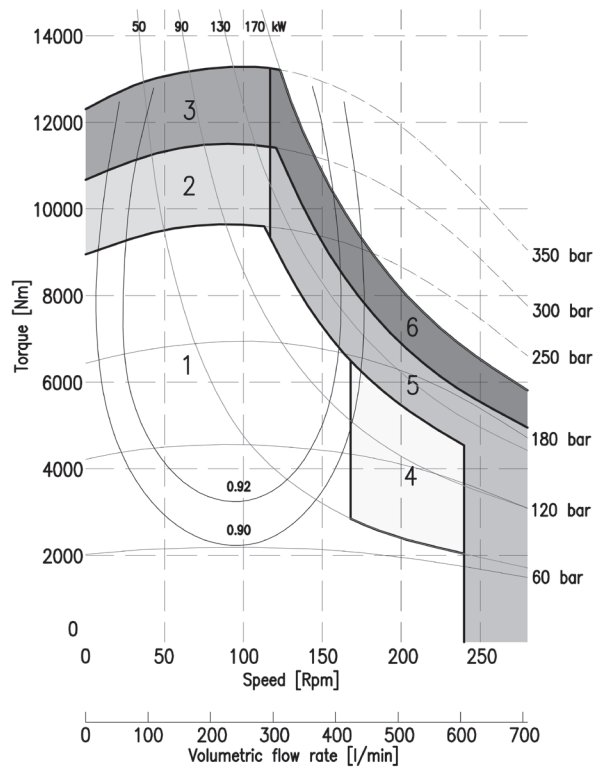


**EXAMPLE:** IAM.2200.H55.A1.D90  
 IAM.2800.H55.A2.D90.TA.SB9  
 IAM.2500/C.H55.A0.D90

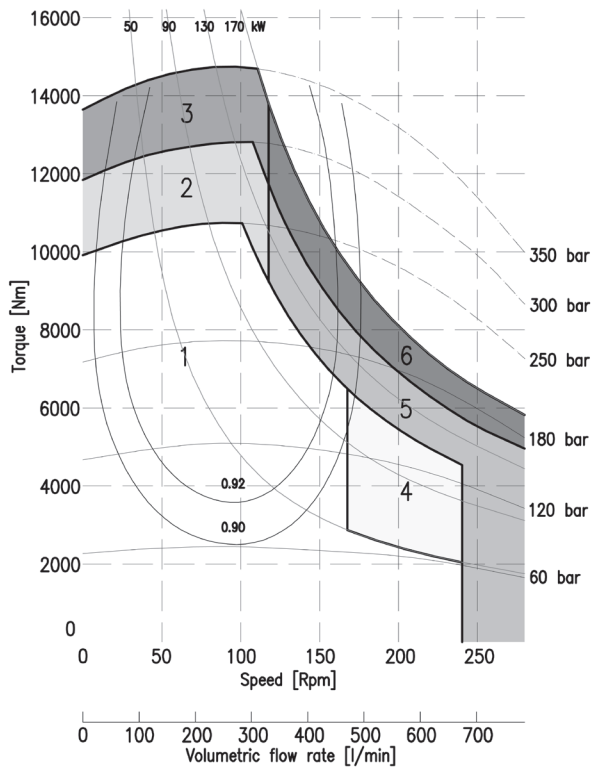
IAM 2200 H55



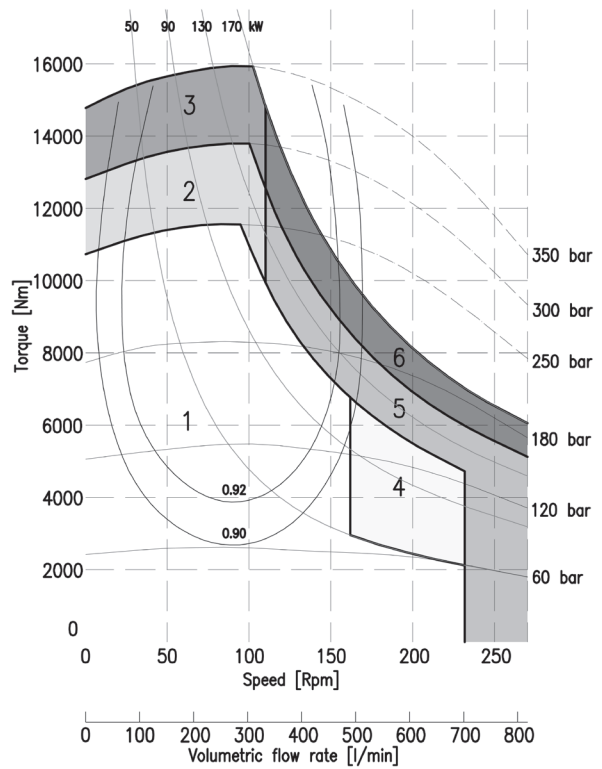
IAM 2500 H55



IAM 2800 H55



IAM 3000 H55



1	Continuous operation
2	Intermittent operation for period 3-5 minutes every 10-15 minutes
3	Intermittent operation for very short period (3-5 seconds every 10-15 minutes)

4	Continuous operation with flushing
5	Intermittent operation for period 3-5 minutes every 10-15 minutes with flushing
6	Intermittent operation for very short period (3-5 seconds every 10-15 minutes) with flushing