

---

# ***ITALGROUP-ADVANCED-MOTORS***

## ***IAM SERIES***

---

### ***H1 MODEL***

---

***IAM 80-100-150-175  
195-200-250-300 H1***

***IAM 100-150-175-195  
200-250/BH H1***

***IAM 100-150-175-195  
200-250/GM05 H1***

***IAM 100-150-175-195  
200-250/GM1 H1***

***IAM 200-250-300/PH H1***

---

## ***INDEX***

---

TECHNICAL DATA - - - - -	<i>Pag.</i> 16
IAM H1 80-100-150-175-195 - - - - -	" 17
IAM H1 200-250-300 - - - - -	" 18
IAM H1 100-150-175-195-200-250/GM05 - - - - -	" 19
IAM H1 100-150-175-195-200-250/BH - - - - -	" 20
IAM H1 100-150-175-195-200-250/GM1 - - - - -	" 21
IAM H1 200-250-300/PH - - - - -	" 22
ORDERING INSTRUCTIONS - - - - -	" 23
GRAPHIC PERFORMANCES H1 80-100-150-175 - - - - -	" 24
GRAPHIC PERFORMANCES H1 195-200-250-300 - - - - -	" 25

---

# TECHNICAL DATA

# H1

MODEL		IAM 80 H1	IAM 100 H1	IAM 150 H1	IAM 175 H1	IAM 195 H1	IAM 200 H1	IAM 250 H1	IAM 300 H1
Displacement	cc/rev	80	100	157	176	195	207	257	307
Specific Torque	Nm/bar	1.3	1.6	2.5	2.8	3.1	3.3	4.1	4.9
Max cont. Pressure	bar	250	250	250	250	250	250	250	250
Max int. Pressure	bar	300	300	300	300	300	300	300	300
Peak pressure	bar	350	350	350	350	350	350	350	350
Max continuous speed	rpm	950	950	950	800	800	750	750	750
Peak speed	rpm	1050	1050	1050	900	900	850	850	850
Max continuous power	HP	27	37	37	37	37	37	37	37
	kW	20	27	27	27	27	27	27	27
Max power	HP	54	54	54	54	54	54	54	54
	kW	40	40	40	40	40	40	40	40

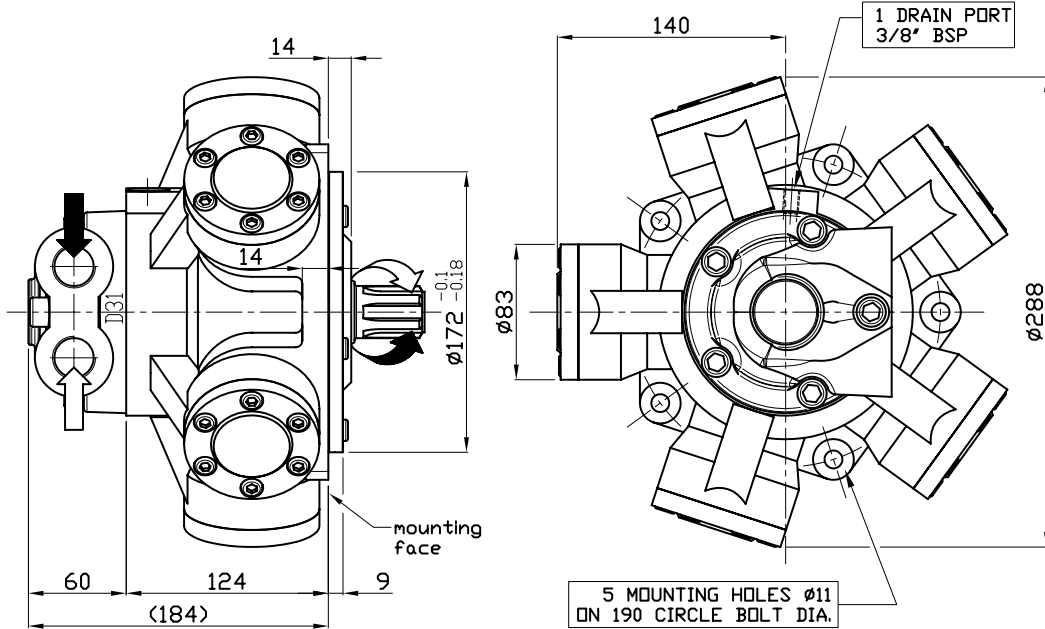
- N° of pistons: 5
- Max case pressure: 6 bar
- Max back pressure: 70 bar
- Dry weight: 26 kg
- Temperature range: -30°C ÷ +70°C
- Minimum speed: 2÷3 rpm
- Flushing flow<sup>(\*)</sup>:
 

IAM H1 80 – 100 – 150	5 l/min
IAM H1 175 – 195 – 200 – 250 – 300	6 l/min

(\*)for further details regarding flushing go to page 10 of this catalogue.

## SIZE

### IAM 80-100-150-175-195 H1



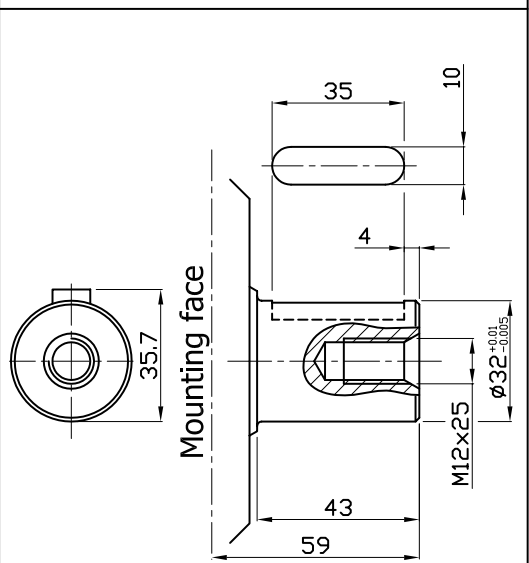
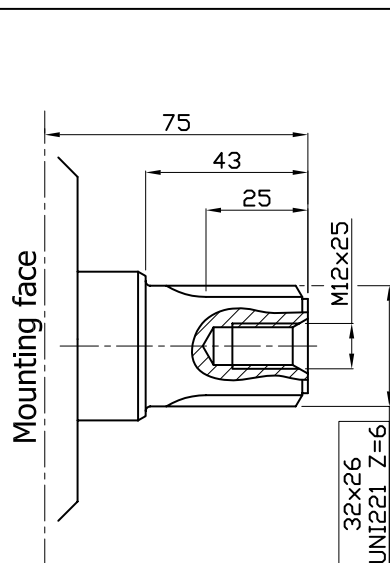
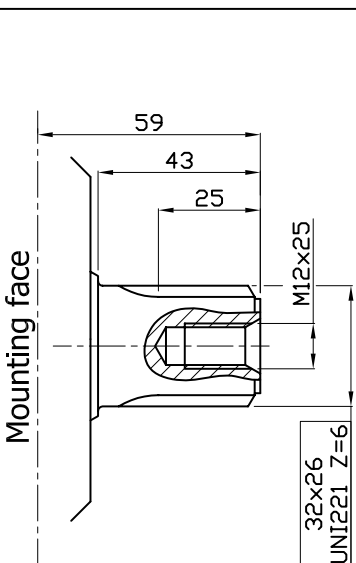
## SHAFT

### IAM 80-100-150-175-195 H1

A0: Standard splined shaft

A1: Splined shaft on request

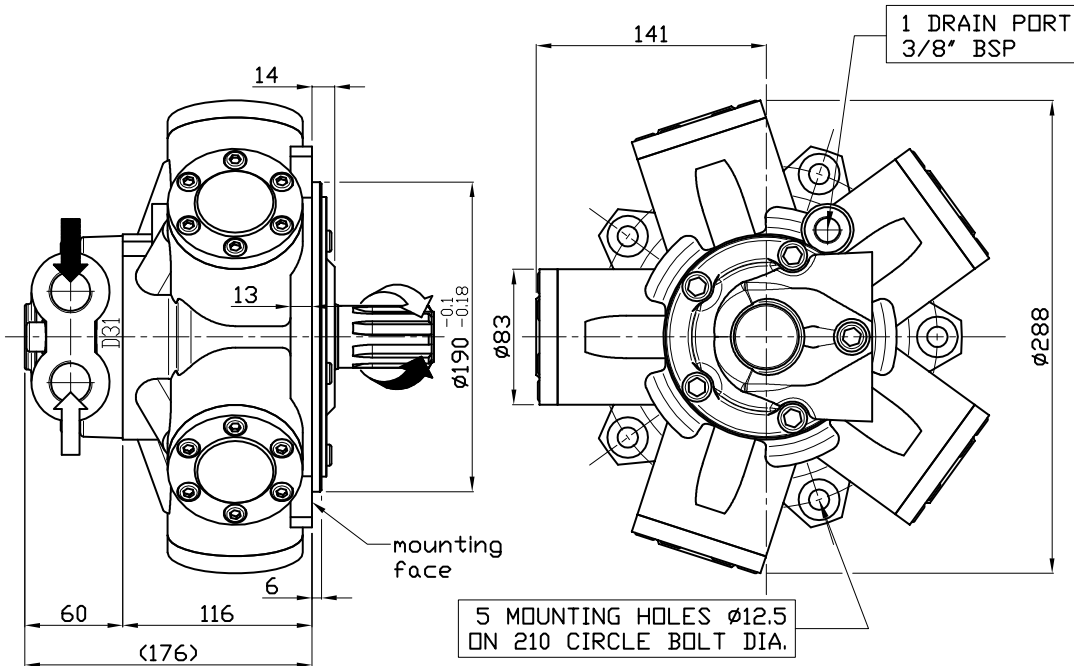
A2: Parallel shaft on request



FEMALE SHAFT AVAILABLE UPON REQUEST N35x2x30x16x9H DIN 5480 (100 and 150 cc/Rev only)

## SIZE

### IAM 200-250-300 H1

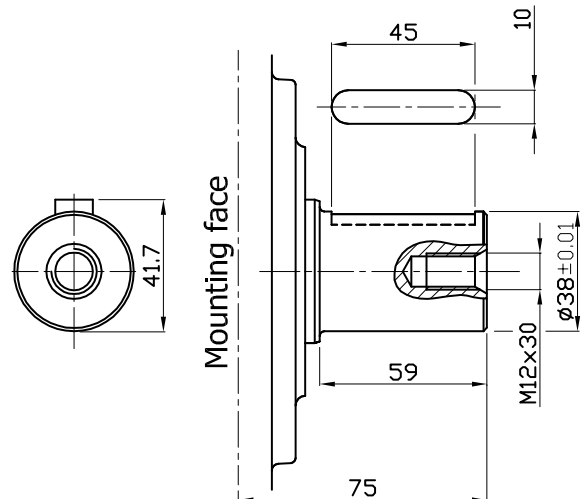
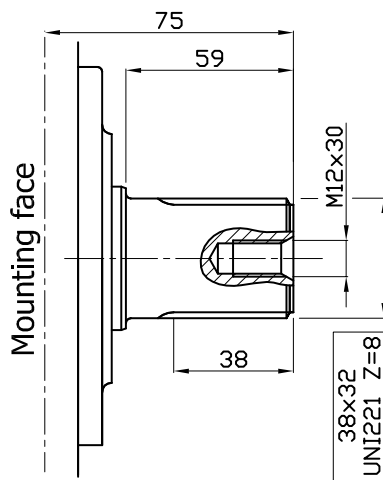


## SHAFT

### IAM 200-250-300 H1

A0: Standard splined shaft

A2: Parallel shaft on request

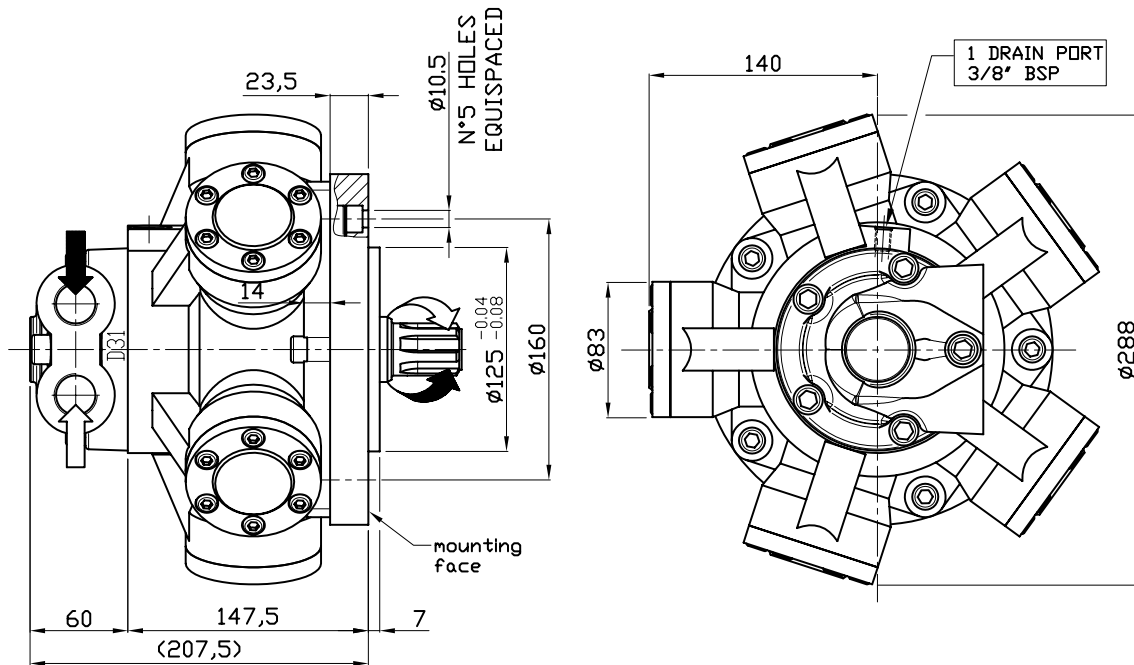


FEMALE SHAFT AVAILABLE UPON REQUEST N35x2x30x16x9H DIN 5480 (300 cc/Rev only)

INTERCHANGEABLE WITH GM05

## SIZE

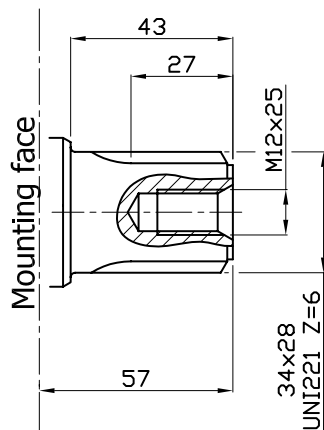
IAM 100/GM05 150/GM05 175/GM05 195/GM05 250/GM05 H1



## SHAFT

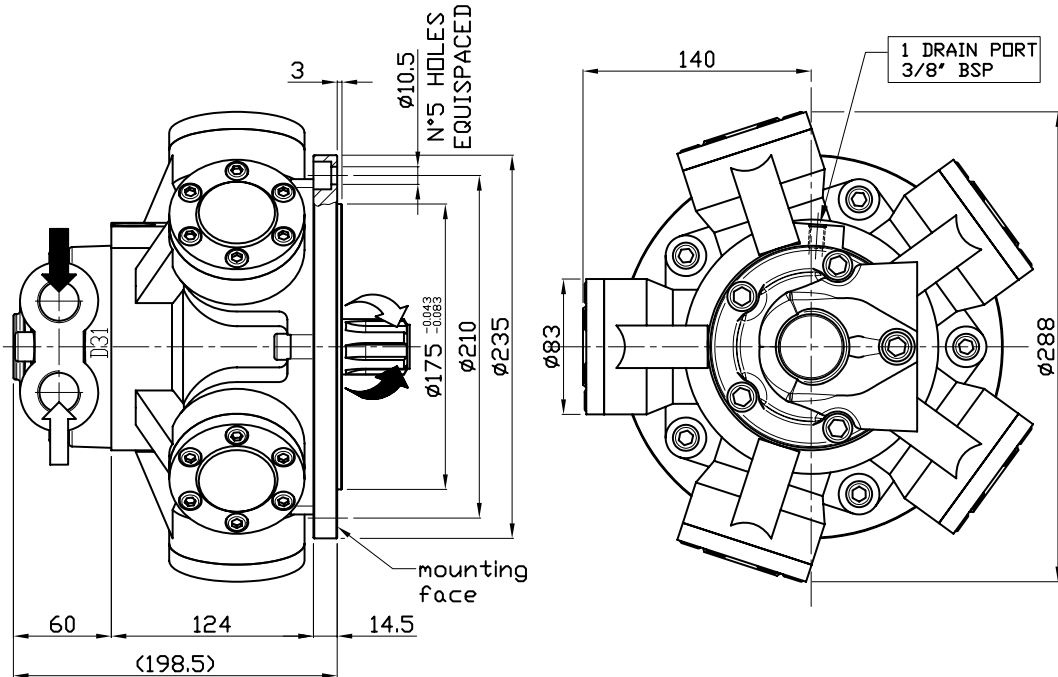
IAM 100/GM05 150/GM05 175/GM05 195/GM05 250/GM05 H1

A0: Standard splined shaft



## SIZE

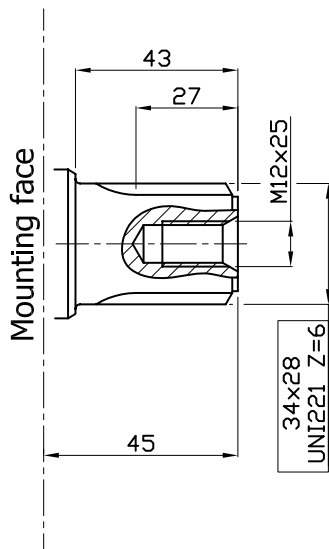
### IAM 100/BH-150/BH-175/BH-195/BH-250/BH H1



## SHAFT

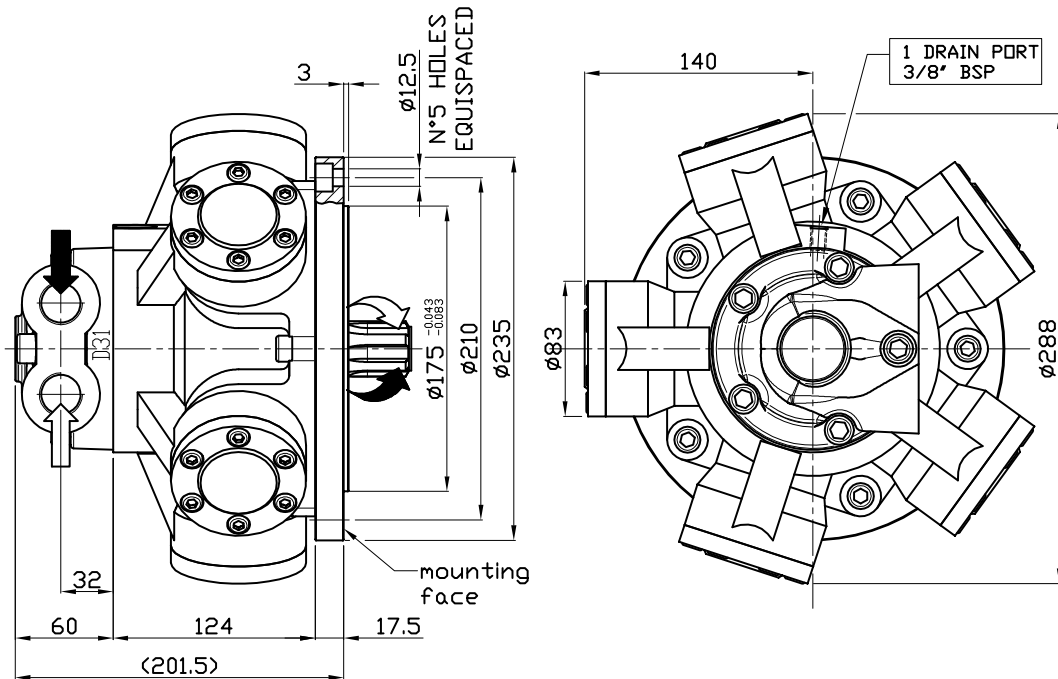
### IAM 100/BH-150/BH-175/BH-195/BH-250/BH H1

A0: Standard splined shaft



## SIZE

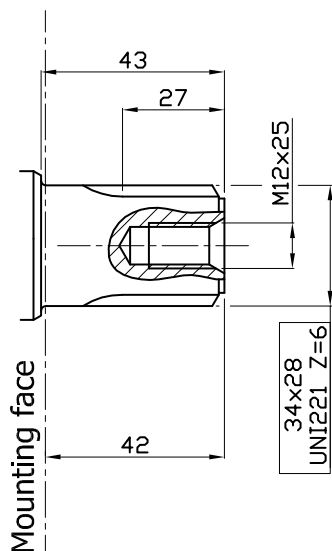
### IAM 100/GM1-150/GM1-175/GM1-195/GM1-250/GM1 H1



## SHAFT

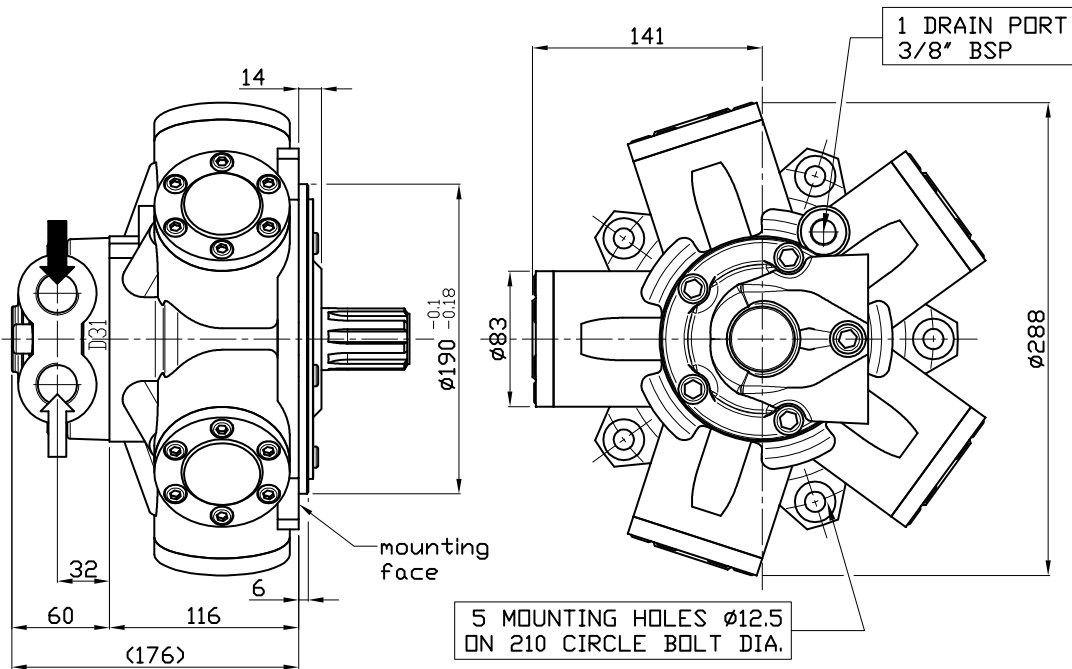
### IAM 100/GM1-150/GM1-175/GM1-195/GM1-250/GM1 H1

A0: Standard splined shaft



## SIZE

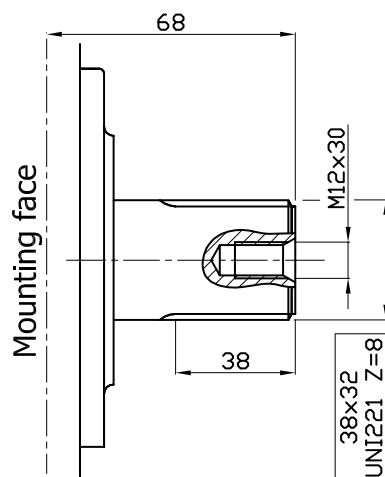
### IAM 200/PH-250/PH-300/PH H1



## SHAFT

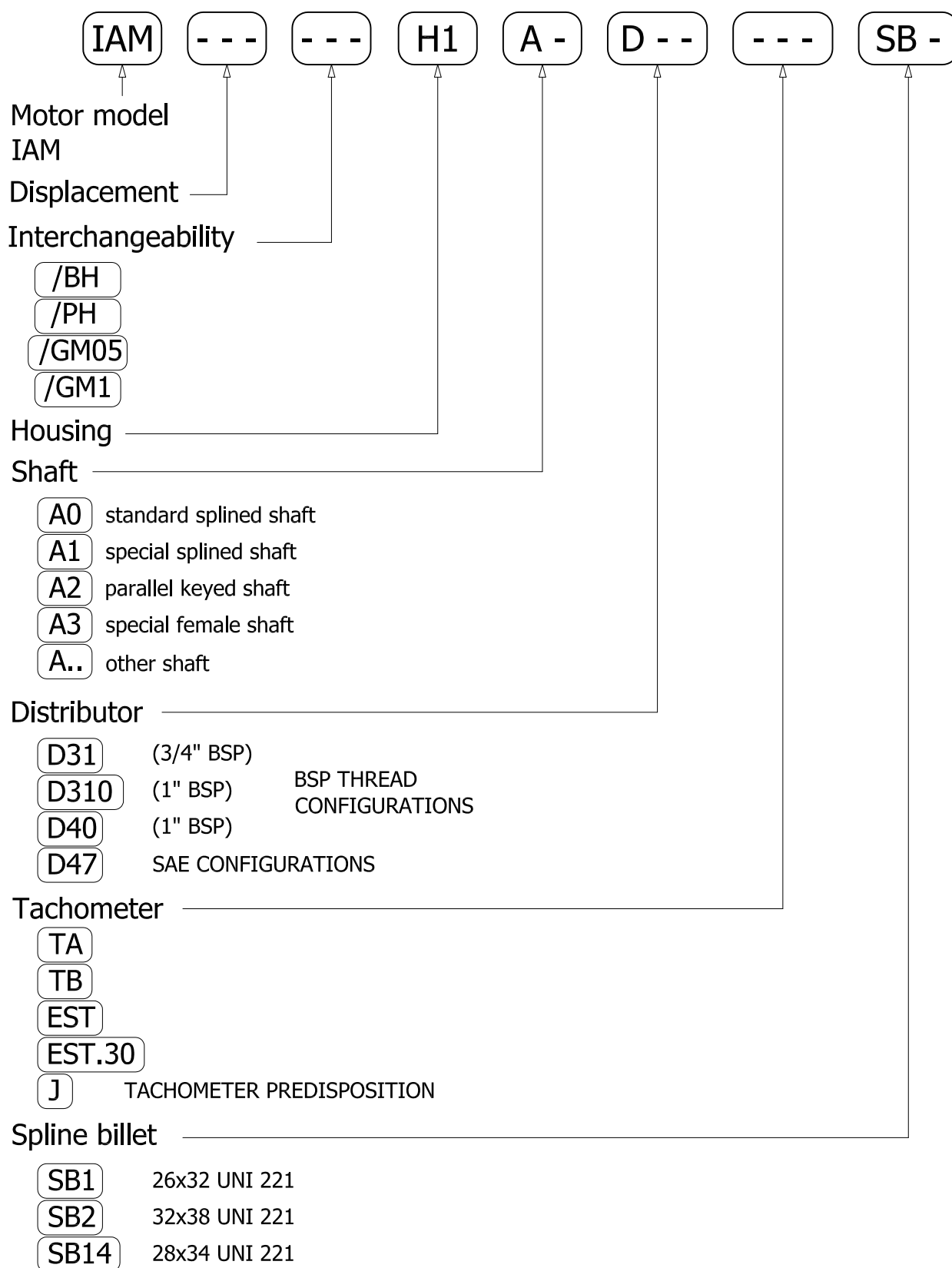
### IAM 200/PH-250/PH-300/PH H1

A0: Standard splined shaft

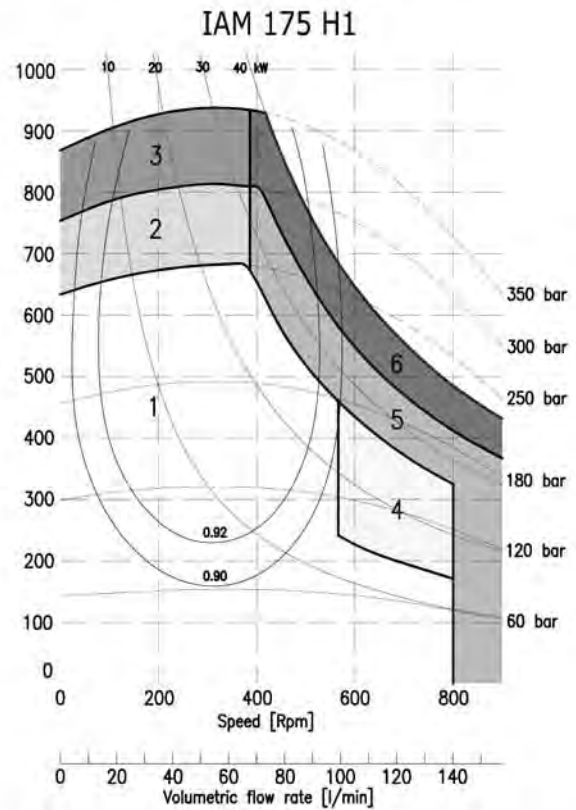
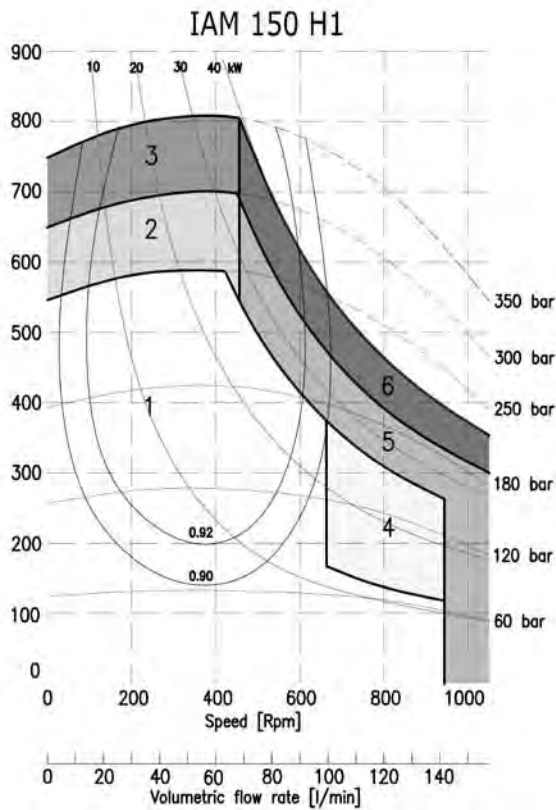
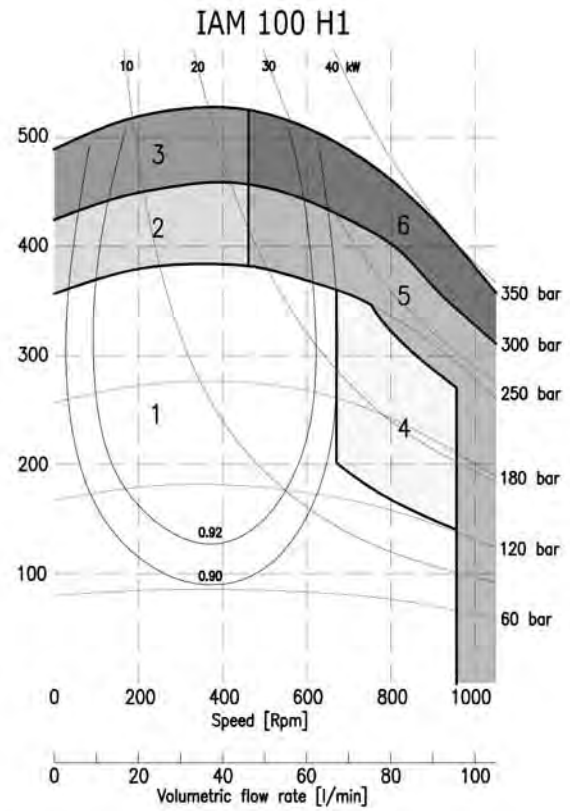
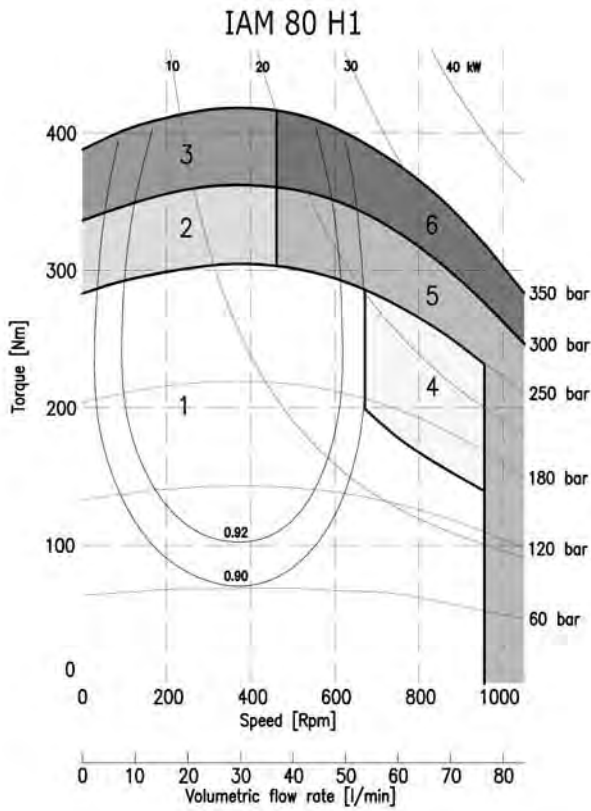




# ORDERING INSTRUCTIONS

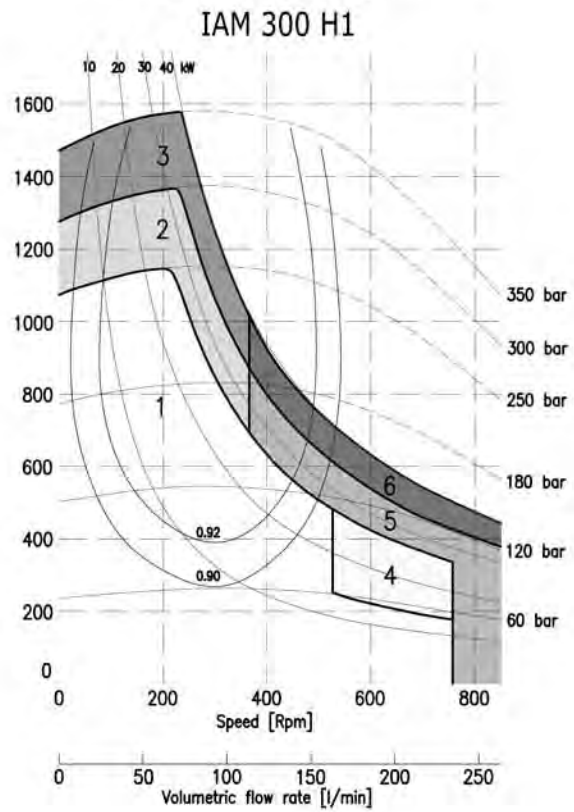
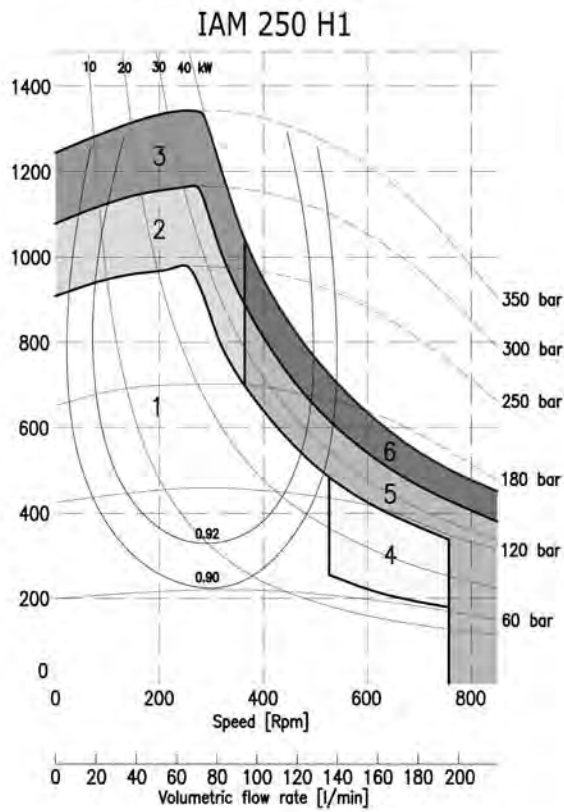
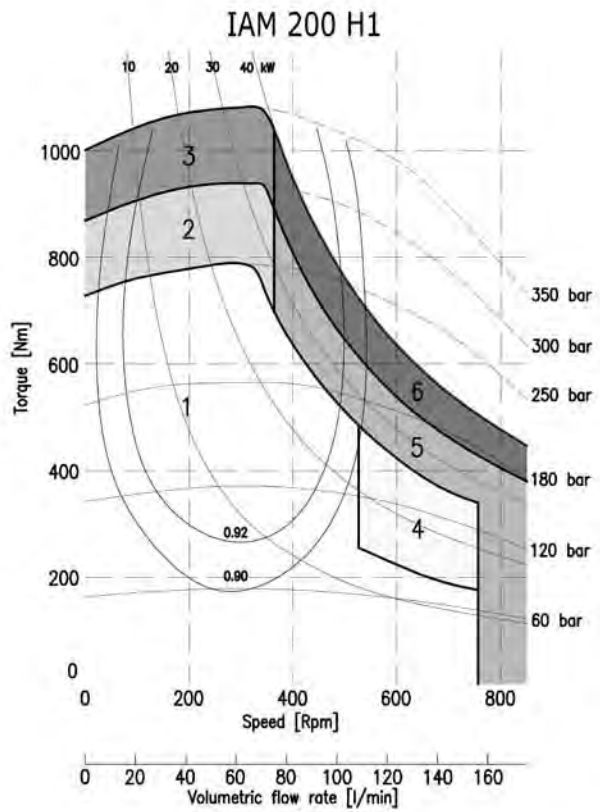
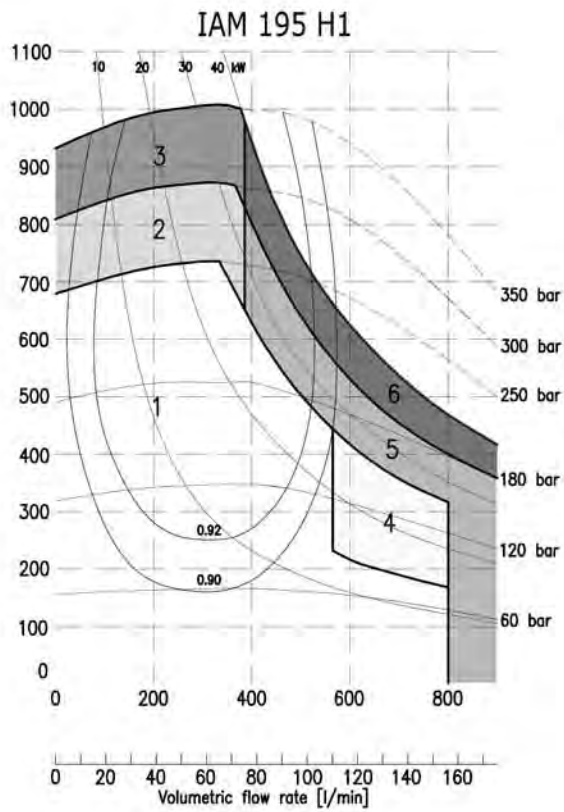


**EXAMPLE:** IAM.100/BH.H1.A0.D40.J.SB14  
IAM.250.H1.A0.D31.TA.SB2



1	Continuous operation
2	Intermittent operation for period 3-5 minutes every 10-15 minutes
3	Intermittent operation for very short period (3-5 seconds every 10-15 minutes)

4	Continuous operation with flushing
5	Intermittent operation for period 3-5 minutes every 10-15 minutes with flushing
6	Intermittent operation for very short period (3-5 seconds every 10-15 minutes) with flushing



1	Continuous operation
2	Intermittent operation for period 3-5 minutes every 10-15 minutes
3	Intermittent operation for very short period (3-5 seconds every 10-15 minutes)

4	Continuous operation with flushing
5	Intermittent operation for period 3-5 minutes every 10-15 minutes with flushing
6	Intermittent operation for very short period (3-5 seconds every 10-15 minutes) with flushing