
ITALGROUP DUAL DISPLACEMENT MOTORS

IAC SERIES

H1 MODEL

IAC 195/S
195/BH

IAC 250/S
250/BH

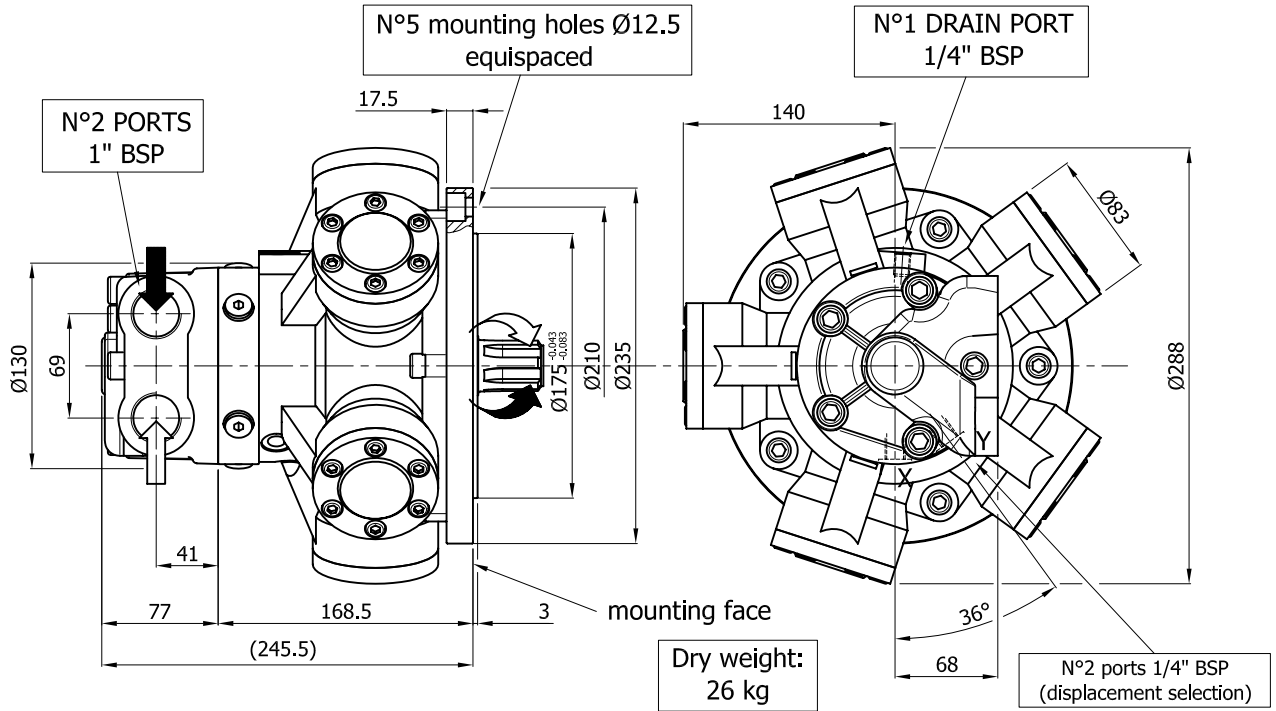
INDEX

IAC 195/S-250/S H1 D40 - - - - -	<i>Pag.</i>	16
IAC 195/BH-250/BH H1 D40 - - - - -	"	17
IAC 195/S-250/S H1 D47 C3 SV - - - - -	"	18
IAC 195/BH-250/BH H1 D47 C3 SV - - - - -	"	19
IAC 195/S-250/S H1 D47 C3-24 SV - - - - -	"	20
IAC 195/BH-250/BH H1 D47 C3-24 SV - - - - -	"	21
ORDERING INSTRUCTIONS - - - - -	"	22

INTERCHANGEABLE WITH GM1

SIZE

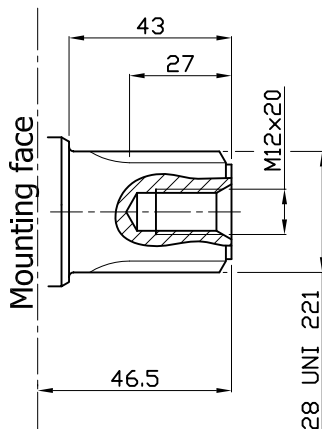
IAC 195/S-250/S H1 D40



SHAFT

IAC 195/S-250/S H1 D40

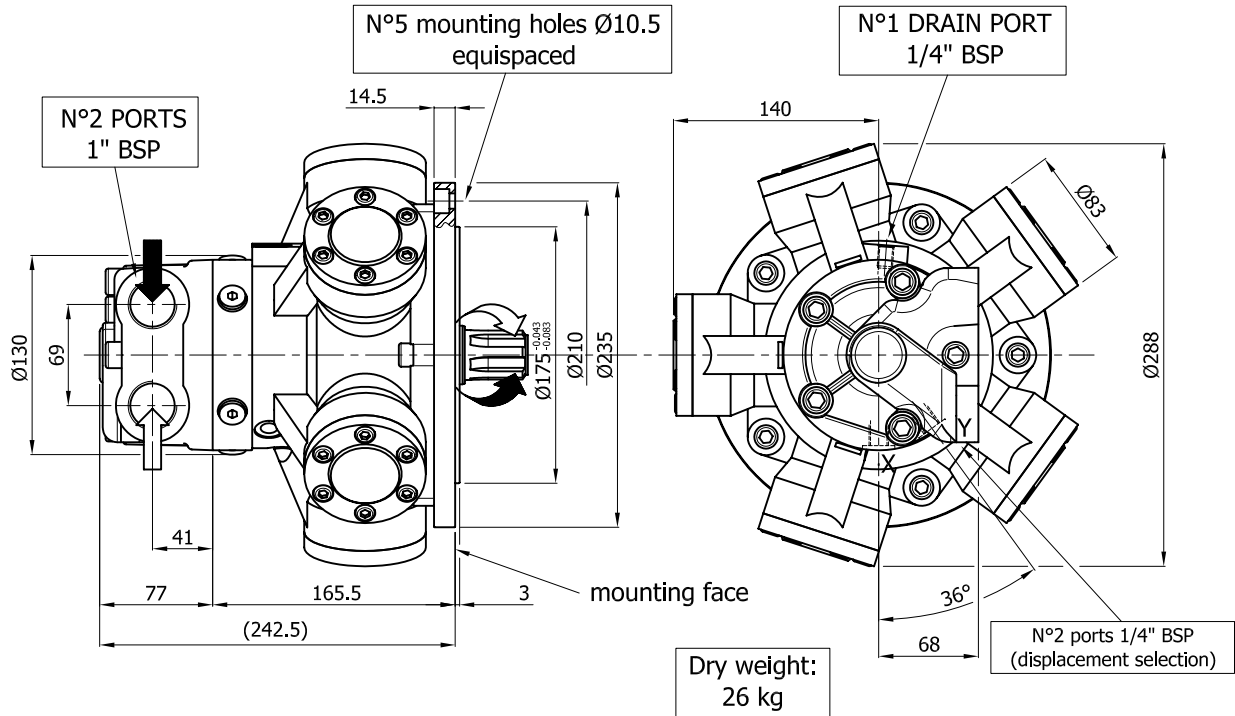
A0: Standard splined shaft



INTERCHANGEABLE WITH BH

SIZE

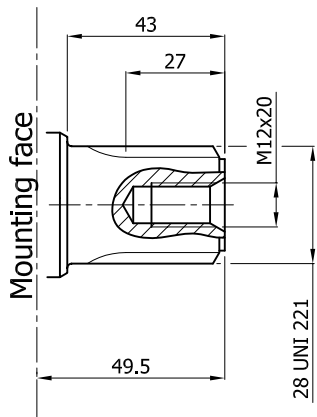
IAC 195/BH-250/BH D40 H1



SHAFT

IAC 195/BH-250/BH D40 H1

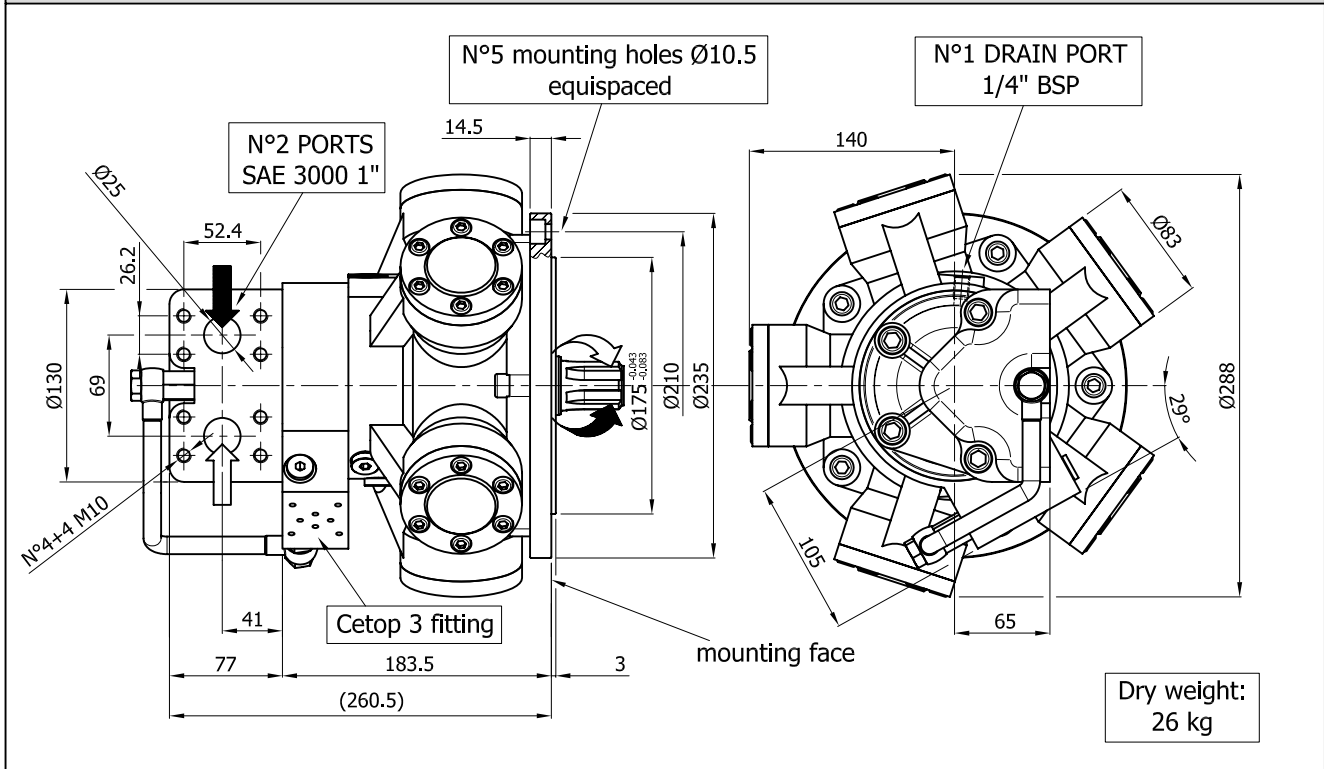
A0: Standard splined shaft



INTERCHANGEABLE WITH BH

SIZE

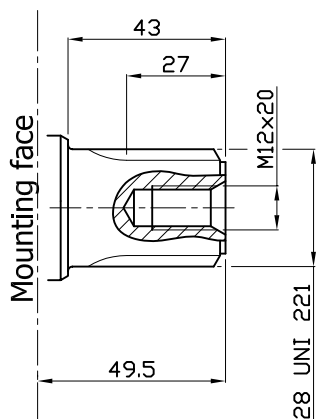
IAC 195/BH-250/BH H1 D47 C3 SV



SHAFT

IAC 195/BH-250/BH H1 D47 C3 SV

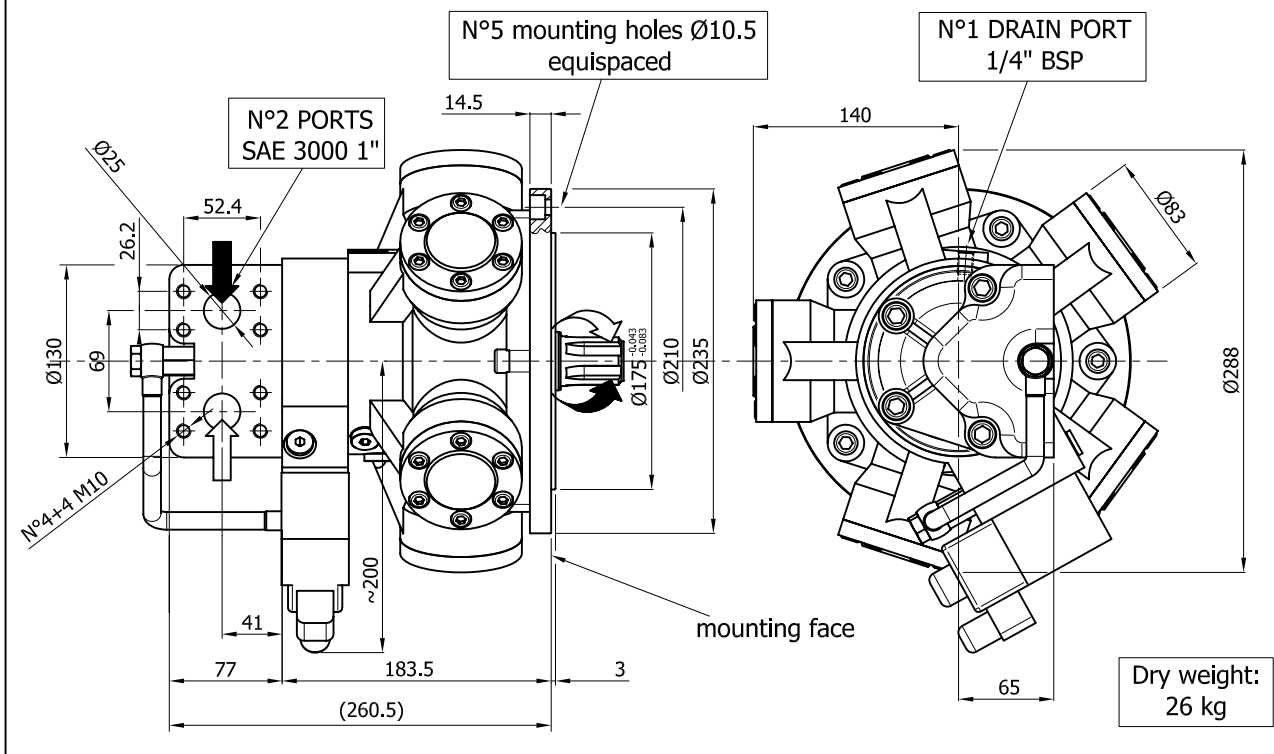
A0: Standard splined shaft



INTERCHANGEABLE WITH BH

SIZE

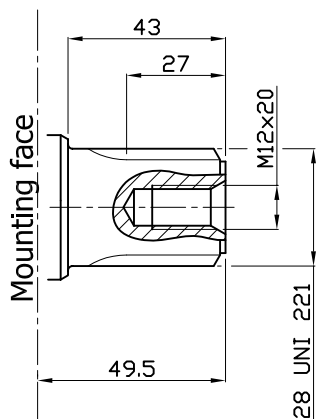
IAC 195/BH-250/BH H1 D47 C3-24 SV



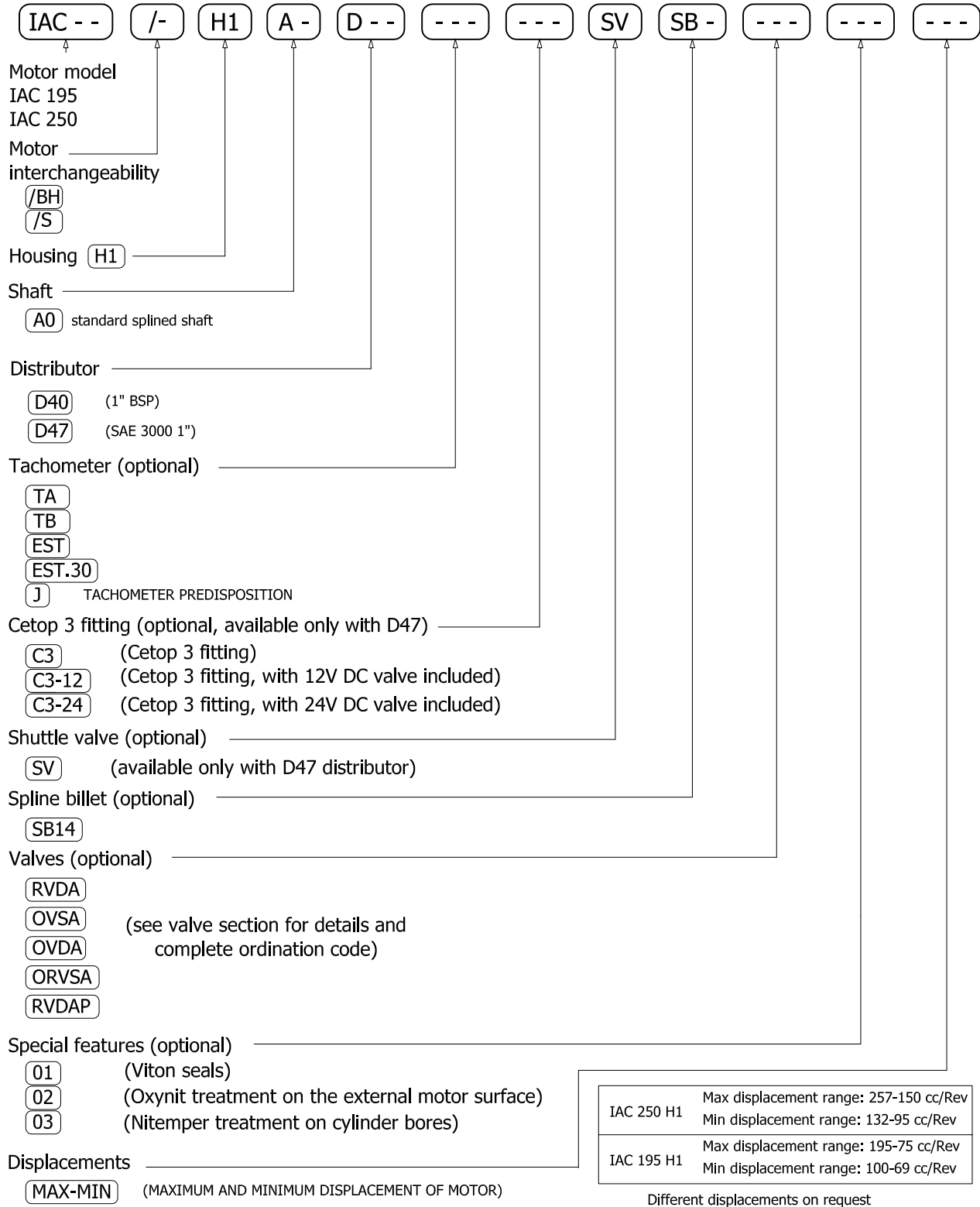
SHAFT

IAC 195/BH-250/BH H1 D47 C3-24 SV

A0: Standard splined shaft



ORDERING INSTRUCTIONS IAC H1



EXAMPLE: IAC.195/S.H1.A0.D47.C3-24.01.257-95
IAC.250/S.H1.A0.D40.TA.175-69
IAC.250/BH.H1.A0.D47.C3.03.150-75