

APPLICATION

Open ring electronic regulator type VPC... is intended to provide stepless control for proportional solenoids.



DESCRIPTION OF OPERATION

Electronic regulator type VPC... is mounted directly on electrical connection supplying the solenoid. It is recommended to control the electronic regulator with potentiometer signal at resistance 5 kΩ or

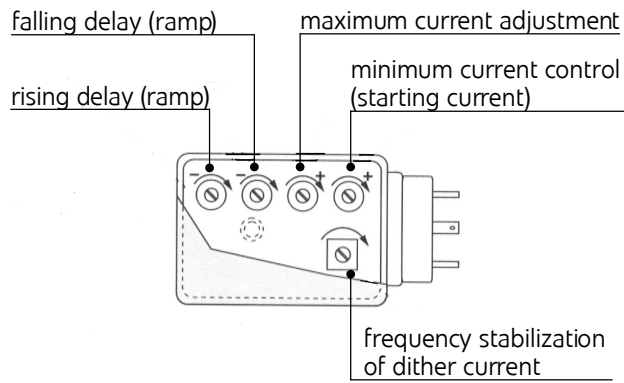
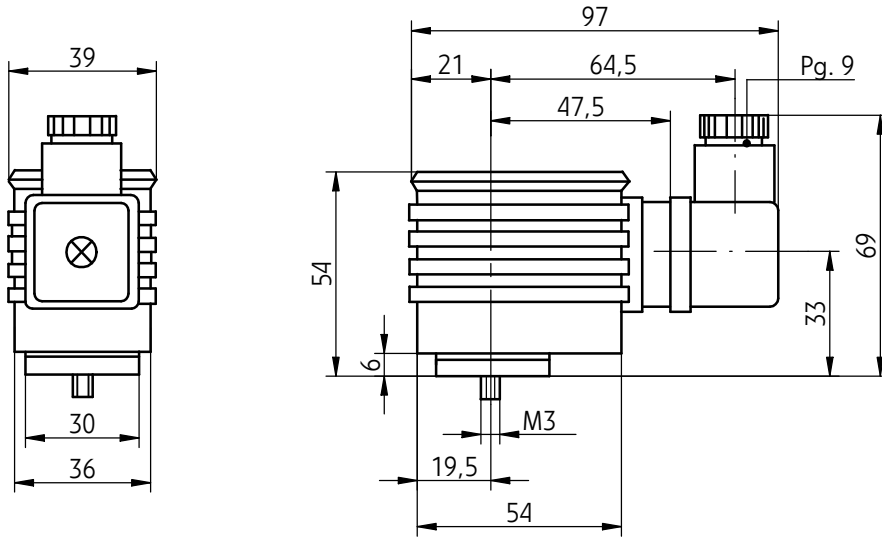
with external voltage U_s . The current in the solenoid is independent of changes in solenoid resistance and supply voltage variation.

TECHNICAL DATA

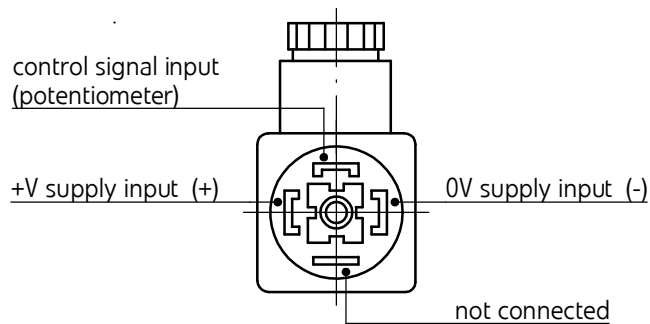
Supply voltage $U_z \pm 10\%$ (preferred stabilized voltage)	24V DC	
	12V DC	
Control voltage U_s	supply voltage 24V	0 to 10V
	supply voltage 12V	0 to 5V
Intrinsic resistance	100 kΩ	
Maximum current - adjustment range	supply voltage 24V	0,2 to 1 A
	supply voltage 12V	0,4 to 2 A
Minimum current - adjustment range	supply voltage 24V	0 to 0,3 A
	supply voltage 12V	0 to 0,6 A
Ramp time setting	dropping	0 to 3 s
	increasing	0 to 3 s
Frequency range	50 to 400 Hz (fixed frequency 120 Hz)	
Ambient temperature range	-10 to +50°C	

OVERALL AND CONNECTION DIMENSIONS

Regulator type VPC...

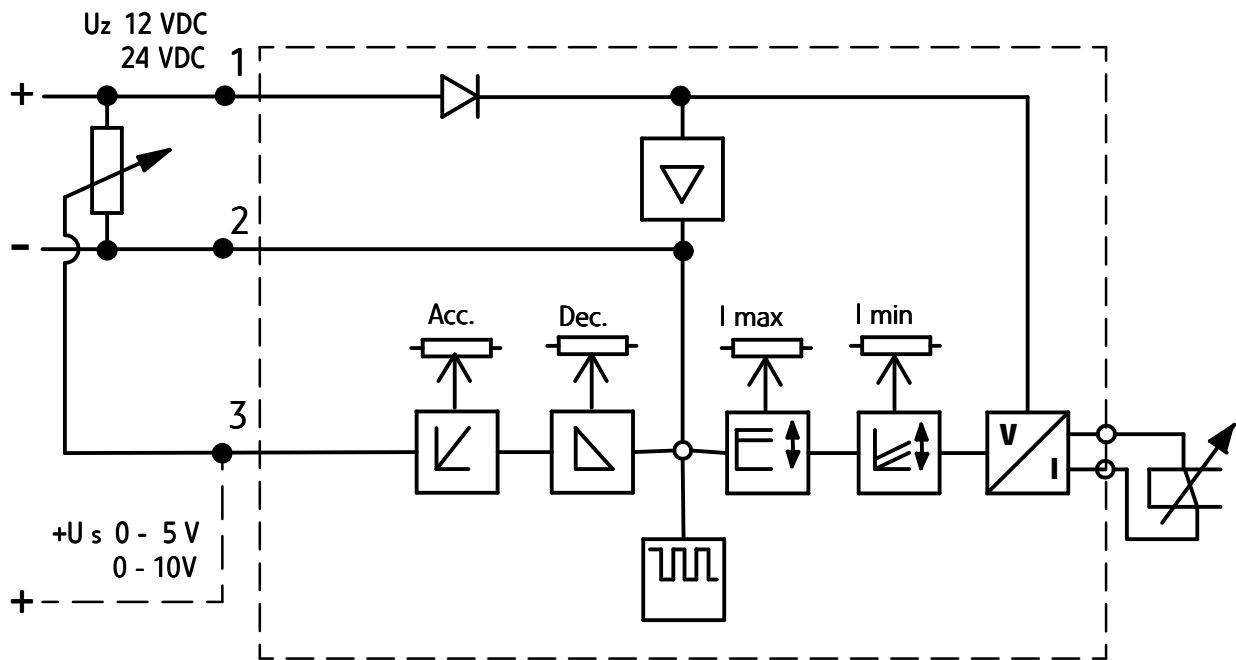


Suggested input plug pin connections



SCHEMES

Block diagram



HOW TO ORDER

VPC	+
Supply voltage	
12 VDC	= 12
24 VDC	= 24

NOTES:

The regulator should be ordered according to the above coding.

The symbols in bold are preferred versions in short delivery time.

Coding example: VPC - 12

PONAR Wadowice S.A.
ul. Wojska Polskiego 29
34-100 Wadowice
tel. +48 33 488 29 00
fax. +48 33 488 21 03
www.ponar-wadowice.pl

