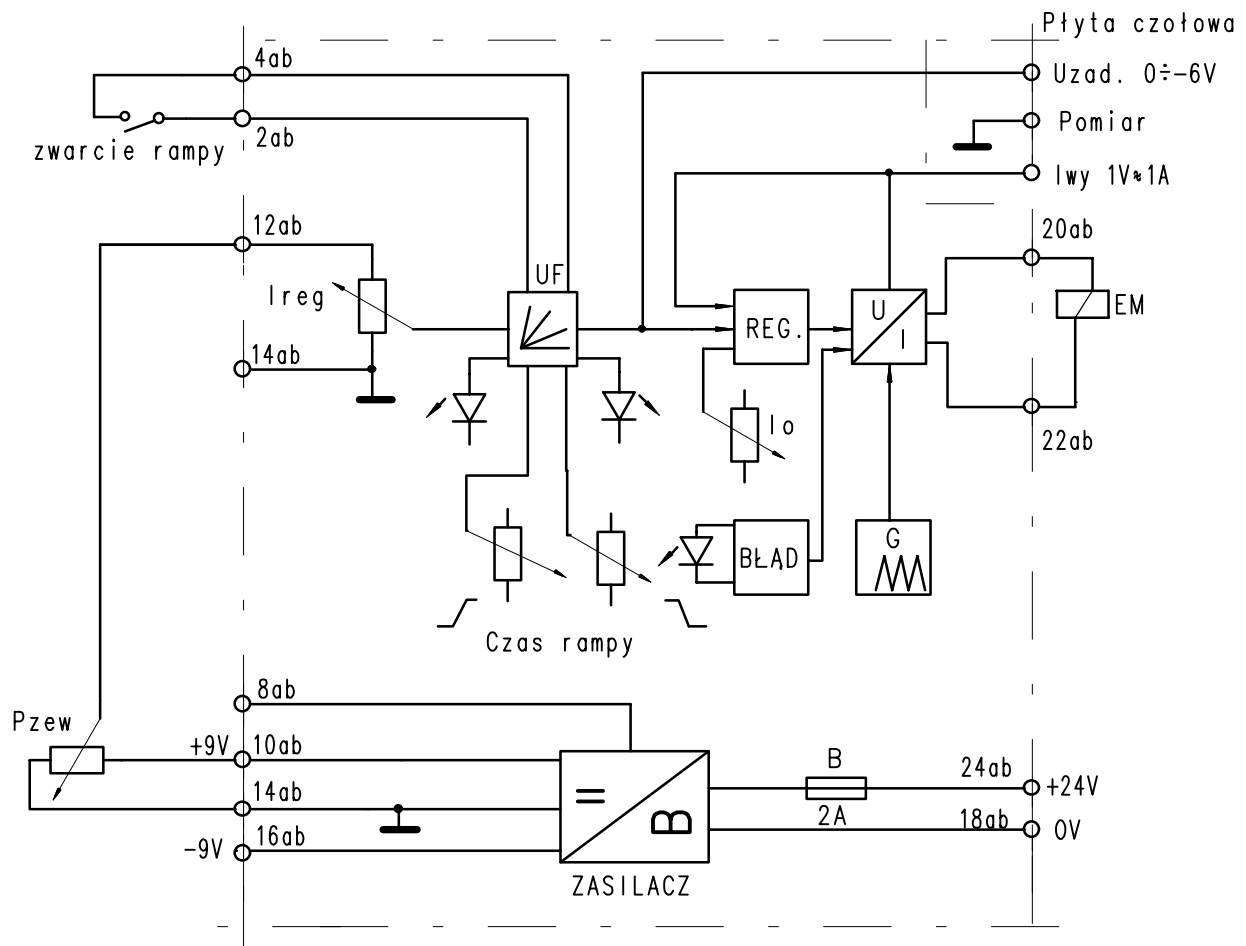
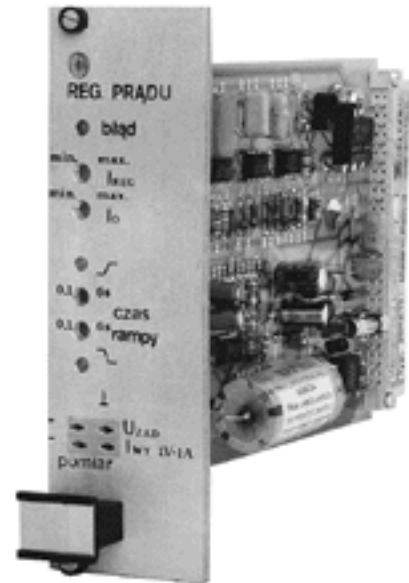


Controllable current amplifier type 20 RE 10 serves to control proportional hydraulic valves which limit and reduce pressure.

Main characteristics:

- output current control
- high stability of output current
- separate adjustment of pulse rise and decay time
- sinusoidal generator of reference current
- board construction to Eurocard
- joint type 811 at output

DESCRIPTION OF OPERATION



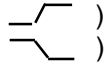
- I_0 - initial current
- I_{reg} - max current
- pulse rise time 0,1÷6 s
- pulse decay time 0,1÷6s

- Pzew - setting potentiometer
- Uzad - measurement of setting voltage
- Iwy - measurement of output current
- Błąd - error signalling

Controllable current amplifier 20RE10 should be supplied with voltage 24V to terminals: positive end to contact 24 ab, negative end to contact 18 ab.
 From supply voltage via constant-voltage regulator stabilized voltage +/- 9V/10ab - +9V; 16 ab: -9V is achieved.
 This voltage supplies an outer stabilizer Pzew, which is used to control output current. The traveler of this stabilizer should be connected to contact 12 ab. The solenoid of the valve should be connected to contacts 20 ab and 22 ab.

On connecting the amplifier 20RE10 following adjustment should be completed:

- initial current (potentiometer I_0)
- max current (potentiometer I_{rep})
- pulse rise time (potentiometer)
- pulse decay time (potentiometer)



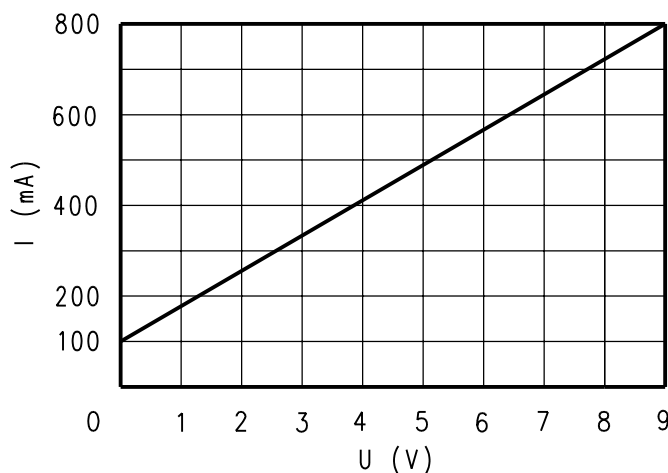
If the controlled system does not require the adjustment of pulse rise and decay time, contacts 4 ab and 2 ab should be shorted.

Potentiometers I_0 and I_{rep} are placed on the frontal plate of the amplifier.
 Reference current is fixed by the factory and should not be changed ($I=200mA$)

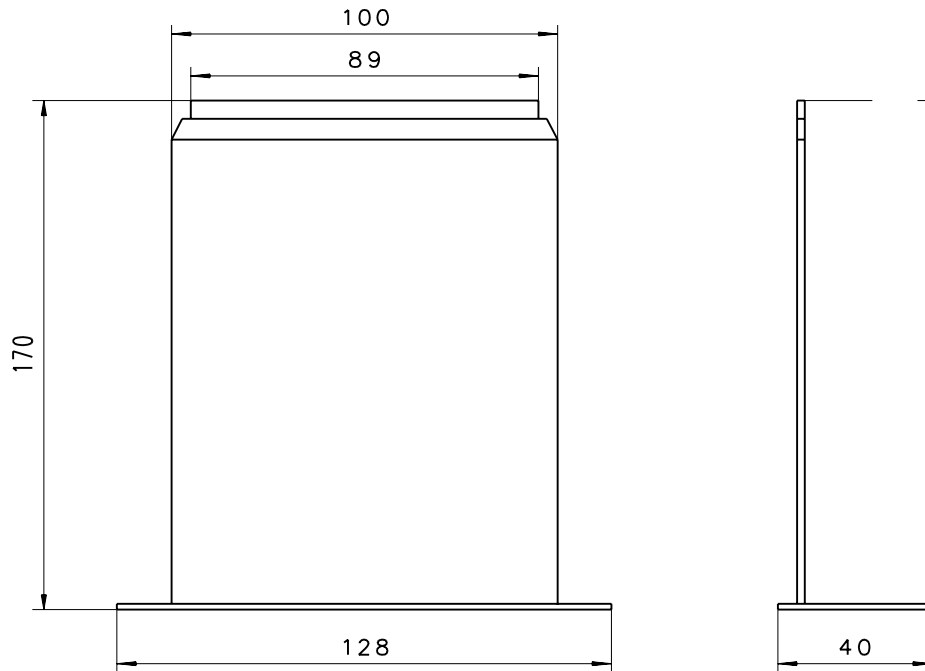
TECHNAICAL DATA

Supply voltage	24÷28 V
Power	25 VA
Max current	800mA
Initial current	100 mA
Reference current	200 mA
Reference frequency	200 Hz
Max load resistance	30 Ω
Min outer potentiometer resistance	1 kΩ
Linearity	0,5 %
Temperature factor	0,05%/°C dla I_{max}
Operating temperature	273 ÷ 323 K

PERFORMANCE CURVES



OVERALL DIMENSIONS



HOW TO ORDER

Orders coded in the way showed below should be forwarded to the manufacturer.

20RE10	—	—	—	*
--------	---	---	---	---

Version with plug type 811	= W
-------------------------------	-----

Series number: 10 (10 - 19) - Installation and connection dimensions unchanged	= 10
--	------

Adjustable time of ramp up to 6 s	= B6
--------------------------------------	------

Additional requirements in clear text (to be agreed with the manufacturer)
--

Coding example : 20RE10-W-10-B6

NOTES:

PONAR WADOWICE S.A.
ul. Wojska Polskiego 29
34-100 Wadowice
tel. 033/ 823 39 43, 823 30 41
fax 033/ 873 48 80
e-mail: ponar@ponar-wadowice.pl

